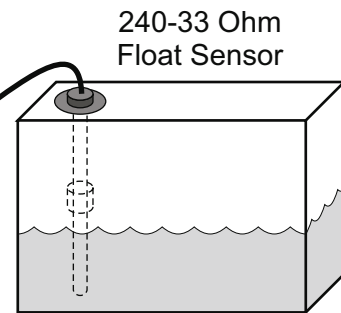
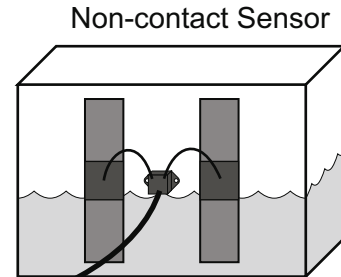
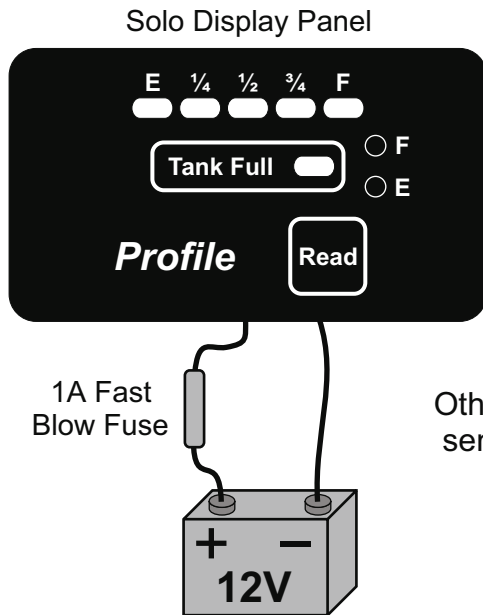
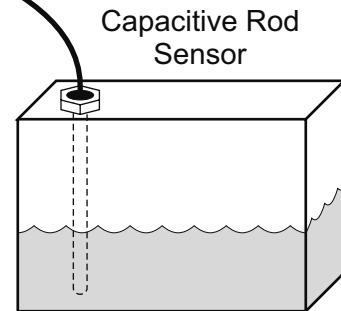


Note: Wiring *greatly* simplified for clarity. Refer to full owners manuals for complete wiring instructions.



Other compatible sensor types



Profile Series Display Panels

The **Profile** Series **Solo** display panel features a simplified version of our exclusive **EZ-Profile** algorithm which corrects for odd-shaped tanks and sensor types. This display is also compatible with nearly all sensor types available on the market today making it easy to both retrofit into an existing system or install new.

This display panel also features an optional tank full light which can serve as a handy "Do Not Flush" light when installed in your bathroom.

Basic Features:

- Simple to install, set up and operate.
- Compatible with capacitive and 240-33 Ohm float sensors.
- Features our exclusive **EZ-Profile** software algorithm which corrects for odd tank shape and sensor type.
- Panel will monitor liquid level for 1 tank.
- Optional autonomous monitoring with tank full or empty alert LED depending on model.
- Data is displayed as a 5 position LED bargraph.
- Also available as an easy-to-install under-counter display (see picture to the right).

Under-Counter Display

