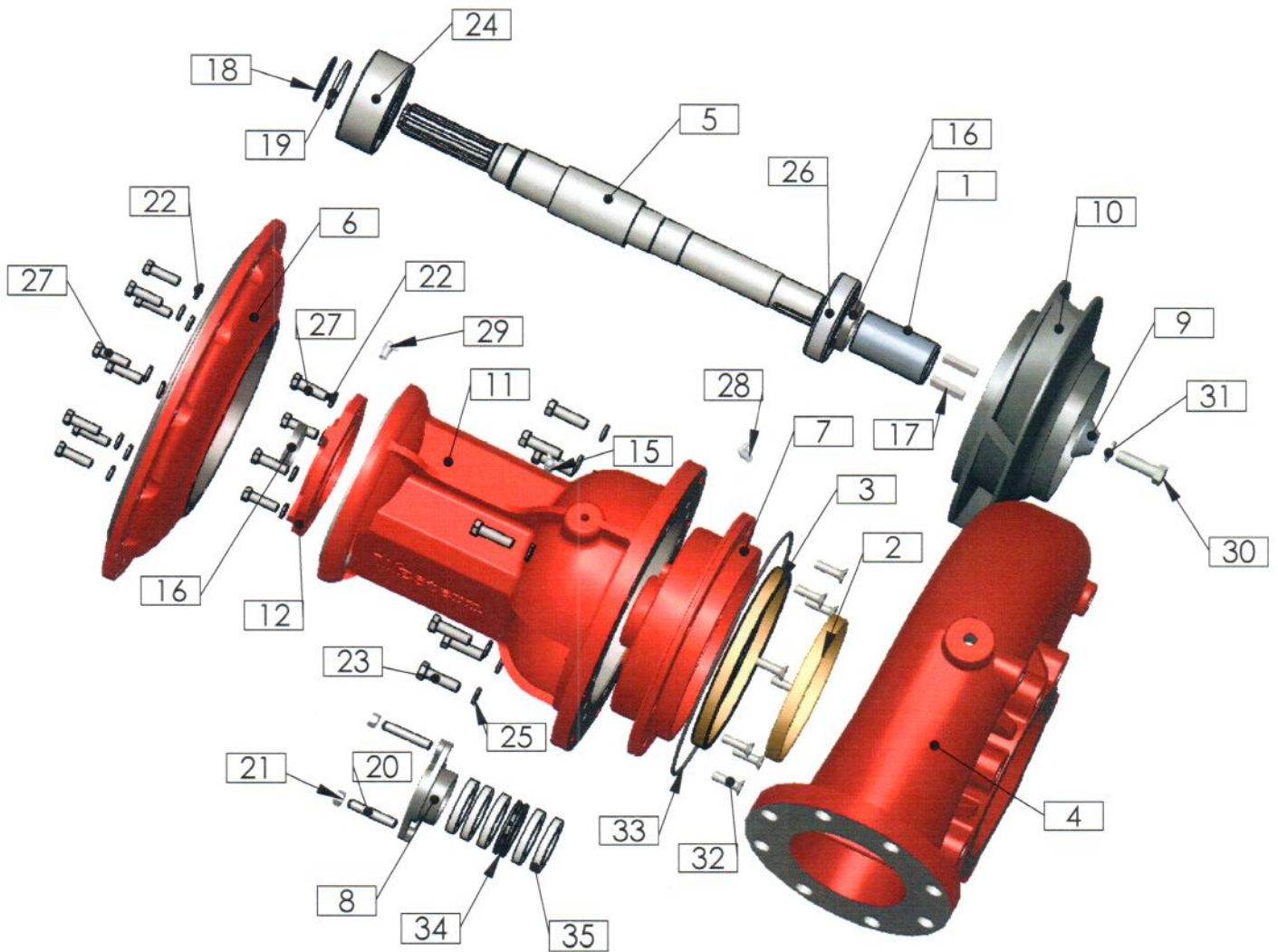


# Western Pumps

XS-13 Series - Frame Mount  
Parts Diagram  
Sizes 2-1/2x3x13 thru 8x10x13





Western Pumps, LLC  
 P.O. Box 1562  
 Clovis, CA 93613  
 (559) 292-9100

### XS-13 Series Pump Parts Listing

Models: 2-1/2x3x13 thru 8x10x13 - SAE Engine Drive

| Draw ID | Pump Model | Component ID  | Component Description               | Qty Needed |
|---------|------------|---------------|-------------------------------------|------------|
| 1       | 2313-4613  | M-25-WS002-01 | Shaft Sleeve - SS                   | 1          |
|         | 6813-81013 | M-26-WS003-01 |                                     |            |
| 2       | 2313       | M-20-WR020-01 | Wear Ring - Volute                  | 1          |
|         | 3413       | M-21-WR021-01 |                                     |            |
|         | 4613       | M-22-WR022-01 |                                     |            |
|         | 6813       | M-23-WR023-01 |                                     |            |
|         | 81013      | M-24-WR024-01 |                                     |            |
| 3       | 2313       | M-20-WR004-01 | Wear Ring - Frame                   | 1          |
|         | 3413       | M-21-WR005-01 |                                     |            |
|         | 4613       | M-22-WR001-01 |                                     |            |
|         | 6813       | M-23-WR002-01 |                                     |            |
| 4       | 2313       | M-20-VL020-01 | Volute - CW                         | 1          |
|         | 3413       | M-21-VL021-01 |                                     |            |
|         | 4613       | M-22-VL022-01 |                                     |            |
|         | 6813       | M-23-VL023-01 |                                     |            |
| 5       | 2313-4613  | M-25-SH006-01 | Shaft - 1-1/2 SAE Splined           | 1          |
|         | 6813-81013 | M-26-SH007-01 |                                     |            |
| 6       | All        | M-00-SA045-01 | SAE Bellhousing - 4/5               | 1          |
|         | All        | M-00-SA023-01 | SAE Bellhousing - 2/3               |            |
| 7       | 2313-4613  | M-25-PI002-01 | Packing Mount                       | 1          |
|         | 6813-81013 | M-26-PI004-01 |                                     |            |
| 8       | All        | M-27-PG004-01 | Packing Gland - SS                  | 1          |
| 9       | 2313-4613  | M-25-IW002-01 | Washers - Impeller Deflector SS     | 1          |
|         | 6813-81013 | M-26-IW003-01 |                                     |            |
| 10      | 2313       | M-20-IM020-01 | Impeller - CW                       | 1          |
|         | 3413       | M-21-IM021-01 |                                     |            |
|         | 4613       | M-22-IM022-01 |                                     |            |
|         | 6813       | M-23-IM023-01 |                                     |            |
|         | 81013      | M-24-IM024-01 |                                     |            |
| 11      | All        | M-27-BF009-01 | Bearing Frame -13 Series SAE        | 1          |
| 12      | All        | M-27-BC005-01 | Bearing Cap - SAE                   | 1          |
| 13      | All        | P-00-00003-01 | Slinger                             | 1          |
| 14      | All        | P-00-00018-01 | Pipe Plugs - 1/2                    | 3          |
| 15      | All        | P-00-00026-01 | Grease Fittings - 1/8 NPT           | 1          |
| 16      | All        | P-00-00027-01 | Grease Seals                        | 2          |
| 17      | 2313-4613  | P-00-00062-01 | Key - Impeller                      | 2          |
|         | 6813-81013 | P-00-00030-01 |                                     |            |
| 18      | All        | P-00-00050-01 | Snap Ring                           | 1          |
| 19      | All        | P-00-00051-01 | Thrust Ring                         | 1          |
| 20      | All        | P-00-00053-01 | Studs - 7/16 Packing Gland          | 2          |
| 21      | All        | P-00-00054-01 | Nuts - Flanged 7/16 - Packing Gland | 2          |
| 22      | All        | P-00-00055-01 | Washers - 7/16 Split Lock           | 12         |
| 23      | All        | P-00-00064-01 | Bolt - 1/2-13 x 1-3/4               | 8          |
| 24      | All        | P-00-00078-01 | Bearing - Input Side                | 1          |
| 25      | All        | P-00-00079-01 | Washers - 1/2 Split Lock            | 8          |
| 26      | All        | P-00-00083-01 | Bearings - Impeller Side            | 1          |
| 27      | All        | P-00-00090-01 | Bolt - 7/16-14 x 1-1/4              | 12         |
| 28      | All        | P-00-00091-01 | Grease Fittings - 1/8 NPT - Angled  | 2          |
| 29      | All        | P-00-00098-01 | Grease Fittings - 1/8 NPT - 90deg   | 1          |
| 30      | 2313-4613  | P-25-00057-01 | Bolt - Impeller SS                  | 1          |
|         | 6813-81013 | P-26-00060-01 |                                     |            |
| 31      | 2313-4613  | P-25-00058-01 | Washer - Impeller - Split Lock SS   | 1          |
|         | 6813-81013 | P-26-00059-01 |                                     |            |
| 32      | All        | P-27-00061-01 | Bolt - 7/16-14x1-1/2 SS CS          | 8          |
| 33      | All        | P-27-00080-01 | O Ring - Volute 13"                 | 1          |
| 34      | All        | P-27-00082-01 | Lantern Ring - 2-1/8"               | 1          |
| 35      | All        | S-27-00081-01 | Packing Set - 3/8 GFO Style         | 1          |