

Questionnaire for Price Quotation for a Moveable Trash Rack Cleaner

I. Contact Data

PROJECT NAME
(please reference on all correspondence)

PROJECT SITE
(location and country)

Contact name Company

Address

ZIP code / City Country

Phone Mobile

E-mail Web

Developer Consulting Agency Name of Project Owner

II. Status

Feasibility study Contract pending; construction scheduled for:

Public tender Deadline for submitting an offer:

Construction of a new power plant Modernisation of an existing plant

III. Technical data

A Screen inclination °

B Screen pedestal in

C Roof projection in

D Height of roof in

E Height of apron in

G Distance to gate in

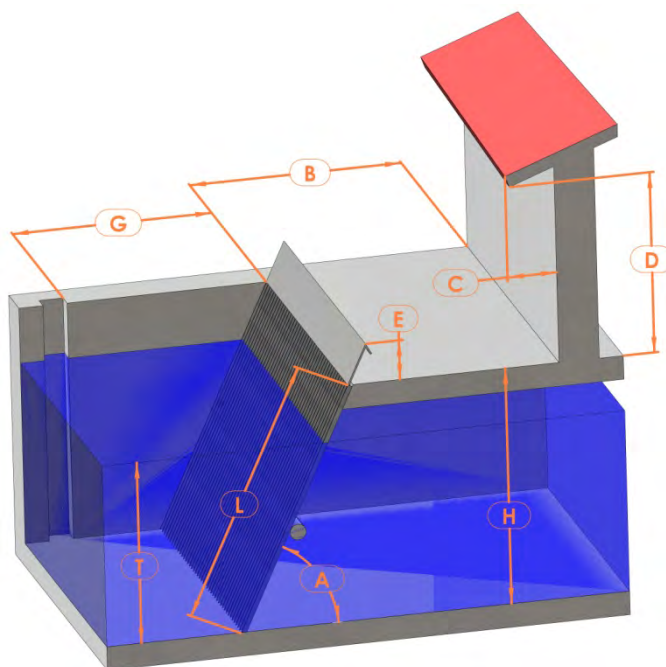
H Height of pedestal in

L Screen length in

T Water depth min. in
max. in

Tension V

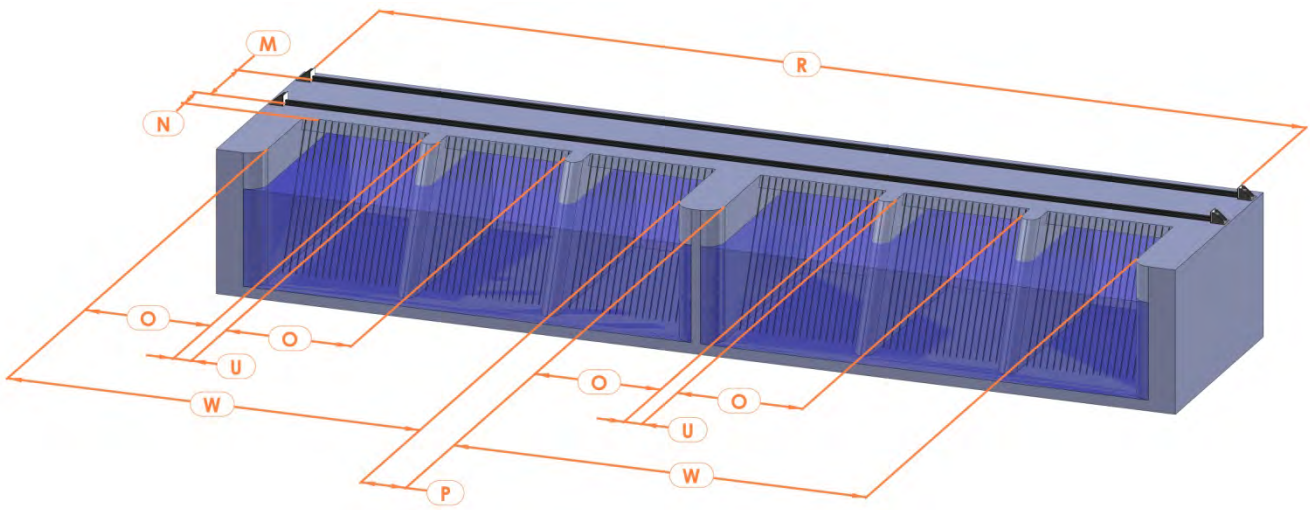
Frequency Hz



Outside temperature between 14°F and 104°F yes no; temperature from °F to °F

Screening disposal Container with base flap Returnable container

Conveyor Wash-out channel



W Inlet width in

Number of inlets W

O Screen width in

Number of screens O per inlet W

P Concrete wall width in
between the individual inlets

U Partition wall width in
between the individual screens

Spacing of screen bars in

M Distance of rails in

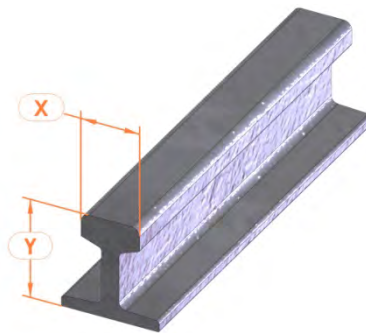
N Distance of rail in
to front edge of screen

R Rail length in

X Rail width in

Y Rail height in

Type of rail



IV. Comments

Date, place

Signature