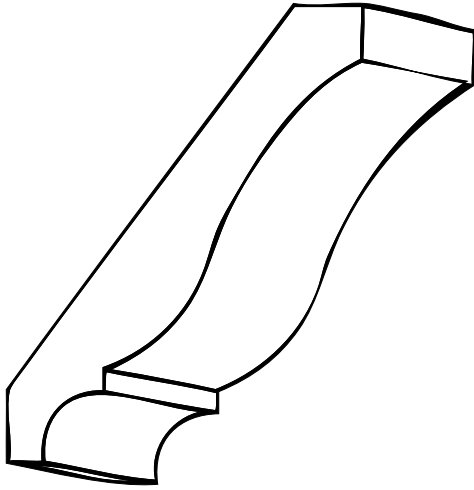
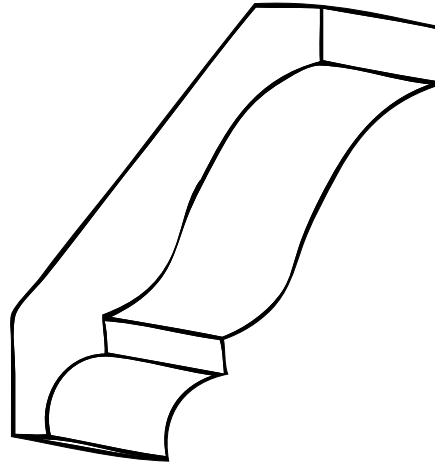


Crown Molding

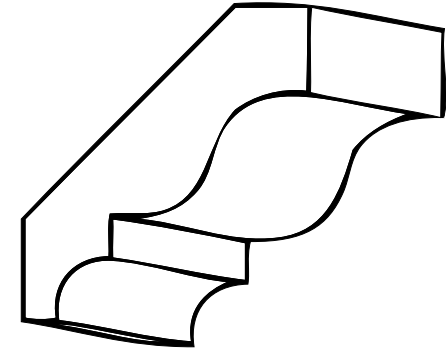
After measuring, please provide us the length, the Profile Number and Part Number when requesting an estimate.



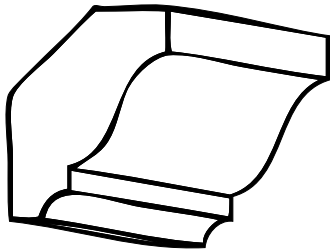
CROWN PROFILE NO. : CR5001
PART NO. : T100
SIZE: 3/4" X 5"



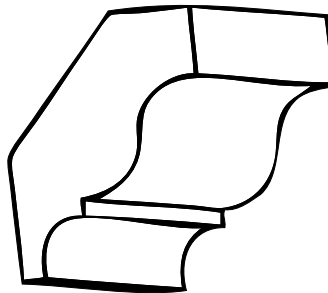
CROWN PROFILE NO. : CR4251
PART NO. : T101
SIZE: 3/4" X 4-1/4"



CROWN PROFILE NO. : CR3258
PART NO. : T102
SIZE: 3/4" X 3-1/4"



CROWN PROFILE NO. : CR2252
PART NO. : T103
SIZE: 3/4" X 2-1/4"



CROWN PROFILE NO. : CR1501
PART NO. : T104
SIZE: 3/4" X 1-5/8"

