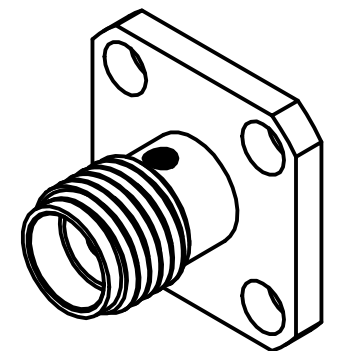
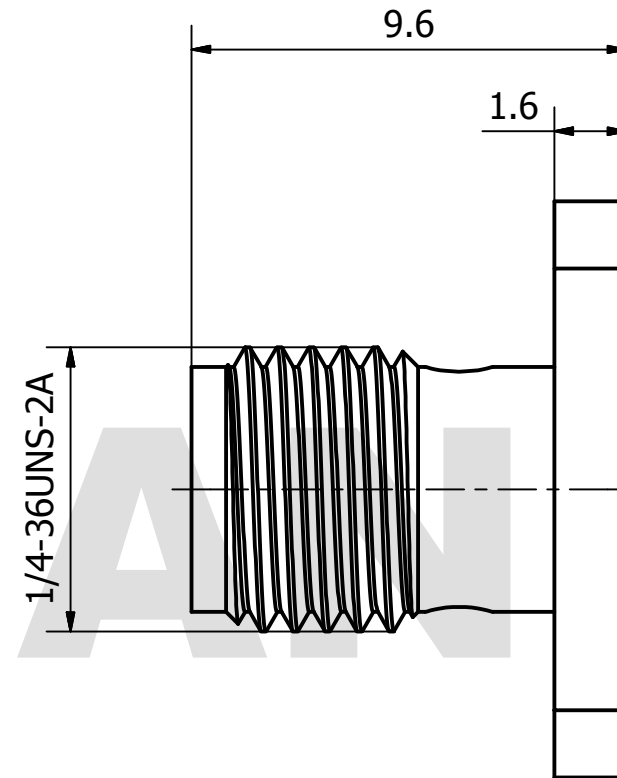
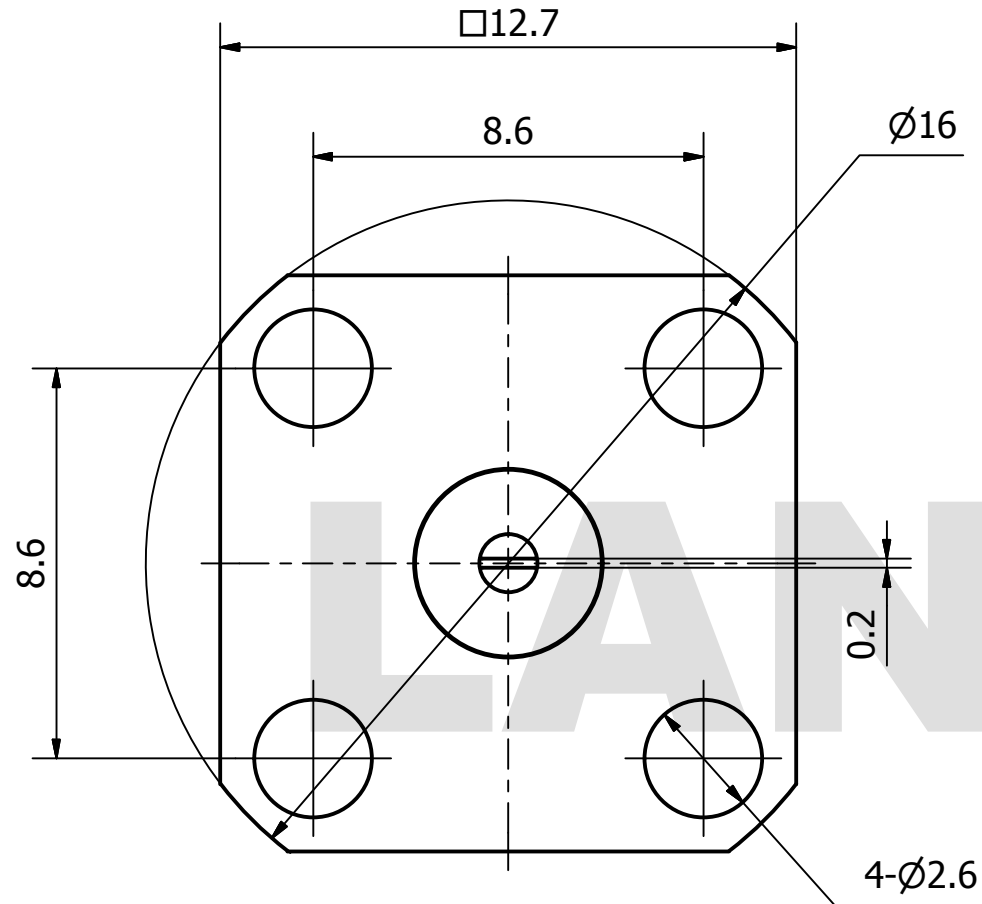


PRODUCT DATA SHEET



MATERIAL:

BODY: BRASS,
ALLOY NO. UNS C37710

CONTACT: BERYLLIUM COPPER PER ASTM B196.

INSULATOR: PTFE PER ASTM D1710

PERFORMANCE:

IMPEDANCE: 50 OHMS

FREQUENCY: DC TO 18 GHz

VSWR: ≤ 1.25

THIS DOCUMENT CONTAINS CONFIDENTIAL AND PROPRIETARY INFORMATION THAT CANNOT BE REPRODUCED OR DIVULGED, IN WHOLE OR IN PART, WITHOUT WRITTEN AUTHORIZATION FROM "LANJIAN ELECTRONICS"	MATERIAL :			<p style="font-size: 8px;">38 Hengtong Road, Xinqu Dingmao Zhenjiang, 212009, Jiangsu, P. R. China</p>
	UNLESS OTHERWISE SPECIFIED: DIMENSIONS IN MM			
	TOLERANCES :			
	X.X	± 0.20	ANGULAR : ± 1°	DEBURR AND BREAK SHARP EDGES
	X.XX	± 0.10	FILLETS R/C : ± 0.10	
	X.XXX	± 0.01	SURFACE FINISH : Ra 1.6	
DRAWN	NAME	DATE	SIGNATURE	
CHK'D				
APPV'D				
MFG				
PROJECTION	SIZE	SCALE		
	A3	6 : 1		
DO NOT SCALE THE DRAWING			PAGE 1 / 1	

LANJIAN ELECTRONICS

38 Hengtong Road, Xinqu Dingmao
Zhenjiang, 212009, Jiangsu, P. R. China

SMA-KFD-6B
straight micro-strip connector

DWG No. GCPZ3.660.A.013 REV.