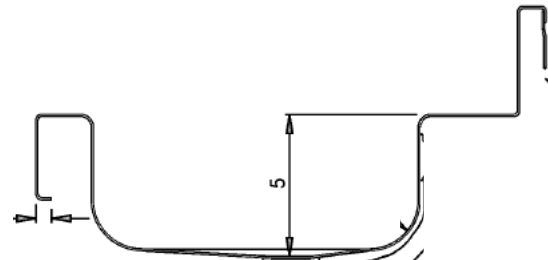
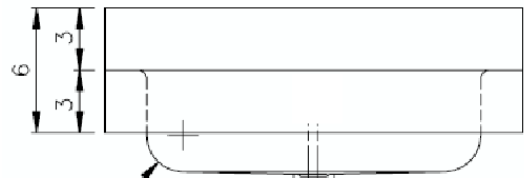
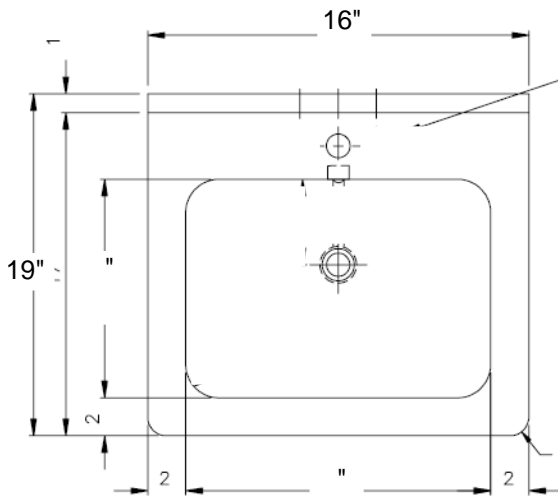
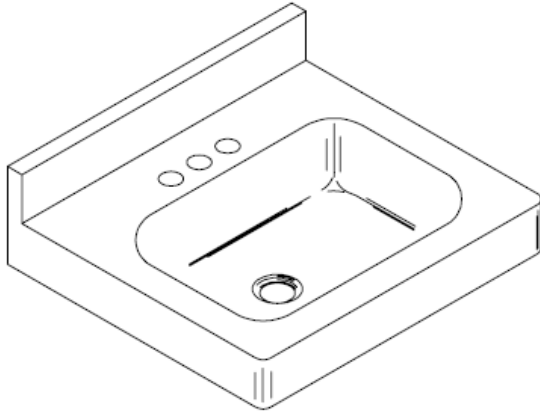


# WICKETTS STAINLESS SPECIFICATION

W-1618-ADA  
LAVATORY



| Model Number | A  | B  |
|--------------|----|----|
| W-2018-1-ADA | 16 | 18 |

**Engineering Specification:** 16 gauge, type 304 stainless steel single wash sink. Exposed surfaces polished to a satin finish. Supported on (2) wall brackets and clips.

**Wicketts Stainless,LLC**

2618 San Miguel Dr. Bldg.#376  
Newport Beach, CA 92660  
Tel. 951-858-2548  
Fax.951-638-9059  
www.wickettsstainless.com  
sales@wickettsstainless.com



**WARNING:**

This product can expose you to chemicals, which are known to the State of California to cause cancer. For more information, visit [www.P65Warnings.ca.gov](http://www.P65Warnings.ca.gov).

Approved for Manufacturing

Company: \_\_\_\_\_

Signature: \_\_\_\_\_

Print: \_\_\_\_\_ Date: \_\_\_\_/\_\_\_\_/\_\_\_\_