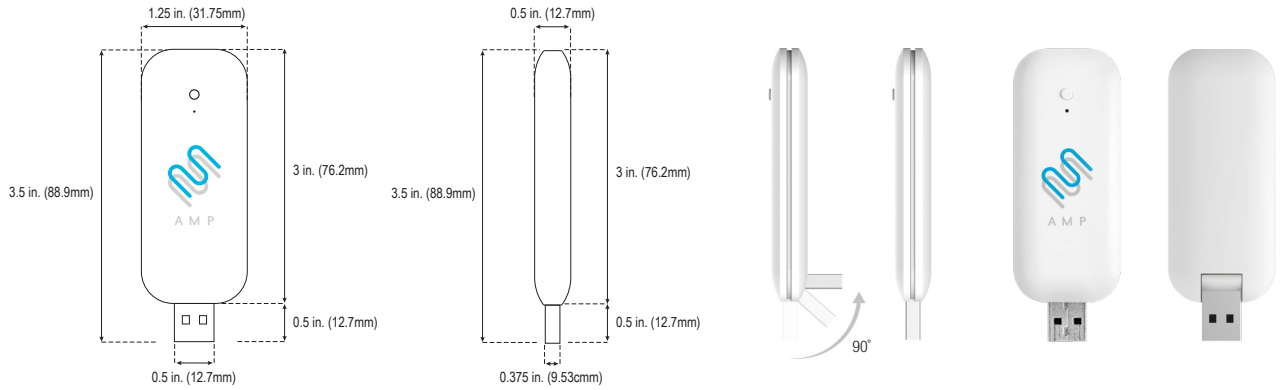


AMP™ BRIDGE

USB Bridge connects to home network for automated shade control

Part # 62102000

dimensions

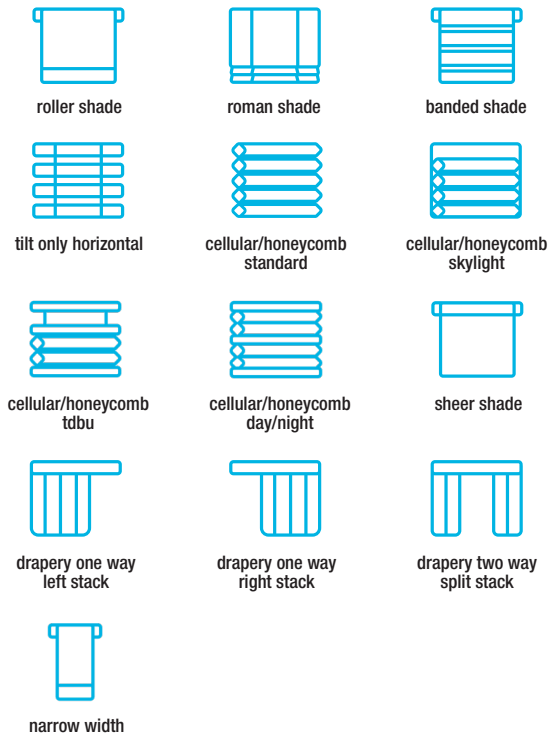


specifications

Input Voltage	5V DC
Input Power	1000mA
Wi-Fi Network	2.4Ghz only
Shade Control Frequency	433.92 MHz
Range	20 meters or 60 feet
Protection Class	IP20
Operation Temperature	32°F to 104°F (0°C to 40°C)
Connection	Wi-Fi
IOT Integration	Amazon Alexa, Google Assistant, IFTTT, Apple Shortcuts

Apple IOS Version	Needs to be 10 or greater
Android Version	Needs to be 4.1 or greater
Devices	Compatible with Smart Phones, Tablets and Smart Watches
Accounts per Hub	5
Devices per Hub	30
Hubs per Location	5
Rooms per Location	20
Scenes per Location	20
Timers per Location	20

applications & features and benefits



- USB Bridge enable APP control from iOS and Android devices
- Radio frequency: 433Mhz with 2.4Ghz Wifi built-in
- Bi-directional RF communication allows shade position and battery level status to be seen on the APP
- Integrated with Amazon Alexa, Google Assistant, Apple Shortcuts and IFTTT

