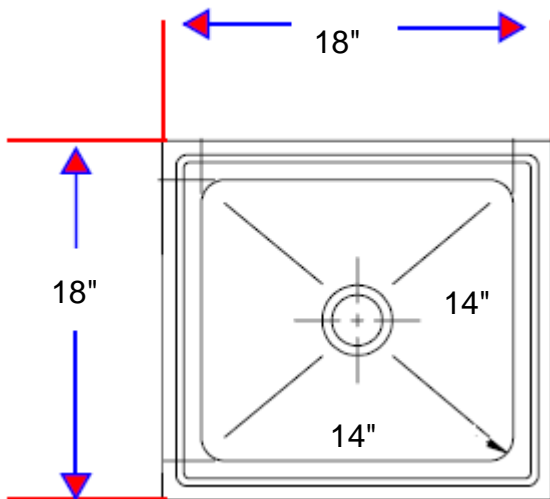
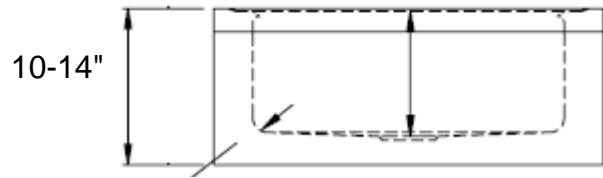


WICKETTS STAINLESS SPECIFICATION

Commercial Mop Sinks



- 2" or 3" N.H.
- 2" or 3" CAULK



Model Number			
WMS-1818	18"	18"	10-14"
Custom			

Engineering Specification:

16 gauge, type 304 stainless mop sink. Top 2" wide top. Exposed surfaces polished to a #4 satin finish. With integral 2" Or 3" NH outlet.

⚠ WARNING:
This product can expose you to chemicals, which are known to the State of California to cause cancer. For more information, visit www.P65Warnings.ca.gov.

Wicketts Stainless, LLC.
2618 San Miguel Dr. Bldg. # 376
Newport Beach, CA 92660
Tel: 951-858-2548
Fax: 951-638-9059
sales@wickettsstainless.com
www.wickettsstainless.com



Approved for Manufacturing
Company: _____
Signature: _____
Print: _____ Date: / /