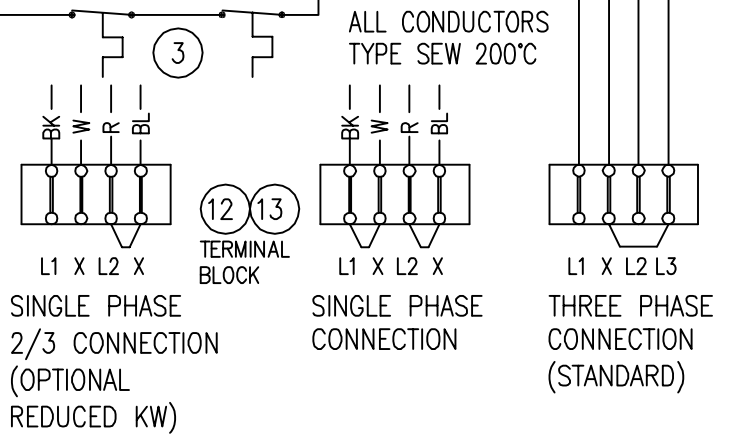


*SELECT AS REQUIRED.

ITM	DESCRIPTION	PART NO.	QTY
*1	ELEMENT ASSEMBLY, 208V 9kW	6921-1	1
	ELEMENT ASSEMBLY, 208V 15kW	6921-6	1
	ELEMENT ASSEMBLY, 220V 9kW	6921-2	1
	ELEMENT ASSEMBLY, 220V 15kW	6921-7	1
	ELEMENT ASSEMBLY, 240V 9kW	6921-3	1
	ELEMENT ASSEMBLY, 240V 15kW	6921-8	1
2	CONTACTOR	4-CG42-1	1
3	HIGH LIMIT THERMOSTAT, 350°F	4914-1	2
4	RELAY, DPDT	9-3174	2
5	PILOT LAMP, GREEN, READY	4-PL04-1	1
6	PILOT LAMP, RED, COOKING	4-PL07-1	1
7	THERMOSTAT, STAND-BY, 168°F	9077-1	1
8	SWITCH, SPDT, DOOR INTERLOCK	9-3213	1
9	TIMER, 60 MIN@60Hz	4-T209-1	1
10	BUZZER	4742-1	1
11	SWITCH, ON/OFF/ON, DPDT	9124-1	1
*12	TERMINAL SECTION	4-22TB	4
	TERMINAL SECTION, 15 kW, 208-240V	4-33TB	4
*13	TERMINAL END PIECE	4-22ES	1
	TERMINAL END PIECE, 15kW, 208-240V	4-33ES	1
14	PRESSURE SWITCH	9247-1	1
15	TIME DELAY RELAY, DUAL	9242-2	1
16	FUSE, 1A, 250V	9092-1	2
17	FUSE HOLDER	9068-1	2
18	PILOT LAMP, AMBER, LOW WATER	4-PLO6-1	1
19	RELAY, DPDT, 220V	9344-2	1



Volts	AMPS		
	1 PH @ 2/3	1 PH	3-PH
208-9	28.9	43.3	25.0
220-9	27.3	41.0	23.7
240-9	25.0	37.5	21.7
208-15	48.1	72.2	41.7
220-15	45.5	68.2	39.4
240-15	41.7	62.5	36.1

3E-15049R6
EPX-3, EPX-5 (208-240V)