

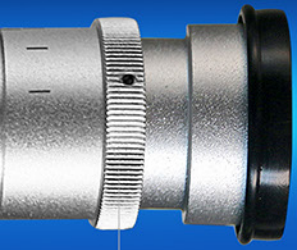


*Portable Slit Lamp*

**P-SL1**

# Portable Slit Lamps

## P-SL1



1



2



- 9. Slit Opening and Shutting Ring
- 10. Filter Rotation
- 11. Slit Rotation
- 12. Indicator
- 13. Illumination Control
- 14. Carry-On Case



3

4



5



6

- 1. Magnification Head
- 2. Set of 10x and 16x Eyepieces
- 3. Diopter Adjustment Level
- 4. Forehead Rest
- 5. Charger and Battery
- 6. Battery Accommodation Part
- 7. Mirror
- 8. Illumination On / Off

7

8

9

10

11

12

13

14

1



11

12

13

14

1

12

13

14

1

12

13

14

1

12

13

14

1

12

13

14

1

12

13

14

1

12

13

14

1

12

13

14

1

12

13

14

1

12

13

14

1

12

13

14

1

12

13

14

1

12

13

14

1

12

13

14

1

12

13

14

1

12

13

14

1

12

13

14

1

12

13

14

1

12

13

14

1

12

13

14

1

12

13

14

1

12

13

14

1

12

13

14

1

12

13

14

1

12

13

14

1

12

13

14

1

12

13

14

1

12

13

14

1

12

13

14

1

12

13

14

1

12

13

14

1

12

13

14

1

12

13

14

1

12

13

14

1

12

13

14

1

12

13

14

1

12

13

14

1

12

13

14

1

12

13

14

1

12

13

14

1

12

13

14

1

12

13

14

1

12

13

14

1

12

13

14

1

12

13

14

1

12

13

14

1

12

13

14

1

12

13

14

1

12

13

14

1

12

13

14

1

12

13

14

1

12

13

14

1

12

13

14

1

12

13

14

1

12

13

14

1

12

13

14

1

12

13

14

1

12

13

14

1

12

13

14

1

12

13

14

1

12

13

14

1

12

13

14

1

12

13

14

1

12

13

14

1

12

13

14

1

12

13

14

1

12

13

14

1

12

13

14

1

12

13

14

1

12

13

14

1

12

13

14

1

12

13

14

1

12

13

14

1

12

13

14

1

12

13

14

1

12

13

14

1

12

13

14

1

12

13

14

1

12

13

14

1

12

13

## Features:

- Ergonomic design, high quality optics and precision mechanical parts.
- P-SL1 is a hand held slit lamp with high luminance white LED.
- The P-SL1 portable slit lamps are accessibly lightweight and continuously variable.
- Compact design enables inspection before and after operation at the patient's side.
- P-SL1 offers a two magnifications 10x and 16x eyepieces and accommodated illumination control switches.
- 2 hour battery drive for continuous operation and illuminations.



10x and 16x Eyepieces  
Objective Lens

Pupil - Distance  
Adjustment

## Portable Slit Lamps

# P-SL1

## Product Introduction



**P-SL1** high luminance LED lighting system is light weight by design and enables inspection at the patient's comfort level.



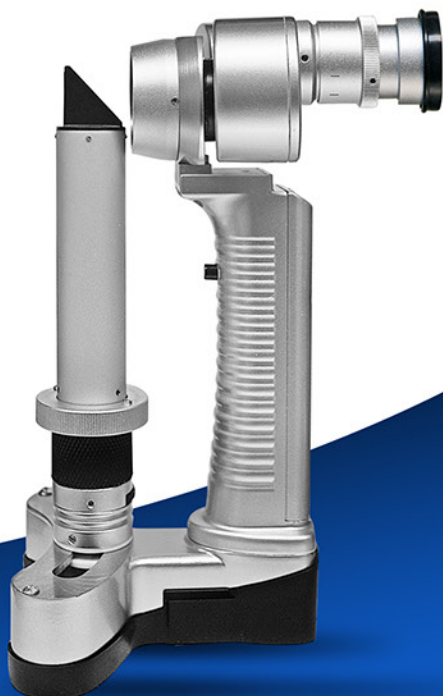
**P-SL1** is a rechargeable 704V 680mAh battery, which operates with over two hours of continuous illumination usage.



**P-SL1** enables you to optically change the pupil adjustment from 50 -75mm at eye piece 10x and 55- 70mm at eye piece 16x.



**P-SL1** offer a dioptre adjustment for ocular and focus matching. The forehead rest spring is designed for comfort.



## Portable Slit Lamp

### Product Specifications

# P-SL1

#### Microscope

Eyepiece	10x and 16x
Objective Lens	1x
Total Magnification	10x and 16x
Diopter Adjustment	±5D
Visual Field	10mm
Pupil Distance Adjustment	50-75mm(at eyepiece 10X) 55-70mm(at eyepiece 16X)
Working Distance (WD)	80mm

#### Illumination

Slit Width	0-Ø10mm
Slit Width	Ø1mm, Ø3mm, Ø5mm, Ø10mm
Filter	Heat-Absorption, cobalt blue, Red-free
Illumination Angle	On the level circumference 30 degree
Light Source	High brightness white LED

#### General

Dimensions	159mm (W) x 107mm (D) x 231mm (H)
Weight	700g
Battery Type	Rechargeable lithium-ion battery
Rated Capacity	7.4V / 680mAh
Operation Time	2 hours (full charge with maximum illumination)
Battery Rated Input	AC 100-240V 50/60Hz
Charging Output	DC 804V/600mA
Electric Shock Protection Type	Internal Battery Type
Electric Shock Protection Degree	Type B

