



Prices effective April 6, 2026

Published April 2026

Embody® Chairs

HermanMiller list prices shown are in USD.
For HermanMiller Canadian prices, multiply the USD list price by a factor of 1.20---effective April 2026.

Introduction	page 2
Embody® Chairs	3
Work Chair	5
Gaming Chair	7
Work Chair, Ready to Assemble	10
Appendices	
20-Day or Less/Assigned Lead-Time Order Information	
Casters and Glides	
For the latest materials information, refer to the Materials pages on HermanMiller.com.	

Introduction

A Note on the Organization of This Book

There are a few signals that will help you understand the organization of this book. Once you know them, you should be able to find your way around easily.

Like a newspaper, this book is formatted with columns of text and illustrations that run vertically.

Information wraps from one column to the next and continues for as many pages as it needs to.

Black bars are clues.

A black bar at the top of a page signals the start of information about a product.

This information is divided into two sections, each signaled by a black bar. Product Information includes a description, additional notes, and dimensional drawings. Specification Information, which always begins at the top of a column, includes a series of steps. Each step represents a decision you need to make in order to complete your product number. Steps must be followed sequentially. The number of pages needed to complete information on a product varies; some will be complete in one page; others may fill three or four pages. Just continue going through the steps until you run into the next product, signaled by the black bar at the top of the page.

Black tabs running along the outside edge of the page help you locate what section you are in or what section you want to go to. You can thumb forwards or backwards to find a section; tabs and text appear on both sides of the page.

The additional pages in the back of the book include the appendices and indices. They are signaled by a long black bar running along the outside edge of the page.

The index is presented two ways.

The first index is in alphabetical order by product name. It can be helpful if you are new to the products and numbering scheme or if you are looking for a type of product, such as work chair or round table.

The second index is by product number. It lists, in alphanumeric order, the base product number, typically a five-digit number.

General Information

This book is effective April 6, 2026, subject to change without notice. Products may be purchased from authorized Herman Miller dealers who will quote prices upon request. For more information about our products and services or to see a list of dealers, visit www.HermanMiller.com.


All prices are list prices. Additional services, such as planning services, design, storage, and installation, are not included and must be added to these prices when the additional services are requested.


Illustrations, specifications, and prices are based on the latest information at the time of publication. The right is reserved to make changes at any time without notice in prices, fabrics, finishes, materials, specifications, and models, and also to discontinue models and finishes.

Dimensions shown in the drawings are engineering drawing dimensions rounded up to the nearest $\frac{1}{8}$ ". Product is shipped set up or knocked down. Products that include "Shipped knocked down" in the description require some assembly. If this statement does not appear in the description, the product is shipped assembled.

Service problems are normally handled by a Herman Miller authorized dealer. Where this cannot be accomplished on a local level, service problems should be referred to the Customer Care Representative for your region, Herman Miller, Inc., Zeeland, Michigan 49464.

20-Day or Less/Assigned Lead-Time Shipments

All products and options in this price book not designated by an Assigned Program icon  will ship in **20 business days or less** after being acknowledged by Herman Miller.

Products and options designated by an  are on the assigned lead-time program and may ship in 20 days, less than 20 days, or more than 20 days from order acknowledgement.

Work Chairs

Gaming Chairs

Work Chair

CN112
CN122
CN132



Product Information

Description

This chair has a pixelated seat and back that is textile-covered on the chair's front side. This construction provides support and comfort by spontaneously conforming to the user's shape and postural movements, while simultaneously moving heat away from the body. The Instinctive Back design mimics the human spine, providing passive support to the sacral, lumbar, and thoracic regions of the user's back, while the frameless, narrow back shape allows freedom of movement through the arms, neck and shoulders. The seat depth adjusts from 15" to 18" in 6 locking positions. The tilt supports the thoracic spine and stabilizes the pelvis through the deep, balanced recline. The tilt limiter allows the user to limit the amount of recline. The chair has a 5-star base and low-, standard-, or high-height range options. Fully adjustable arms adjust 6" vertically and 6" horizontally. Textile on chair's front side is replaceable.

Notes

For chairs with 4SC12, 3014, 3512, 3513, 21310, 1HA03, 1HA04, 1HA15, 1HA27, 3SY08, 3SY12, Z1804 or Z1816 textile color and graphite (G1) frame finish, the back mat is graphite. For all other options, the back mat is translucent.

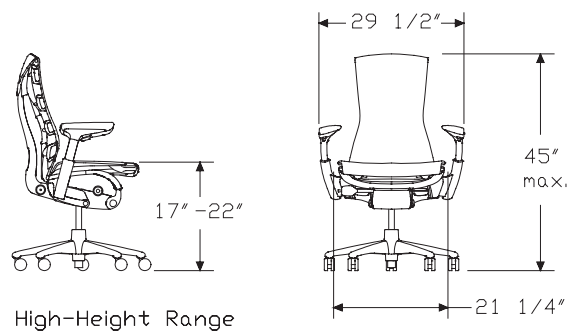
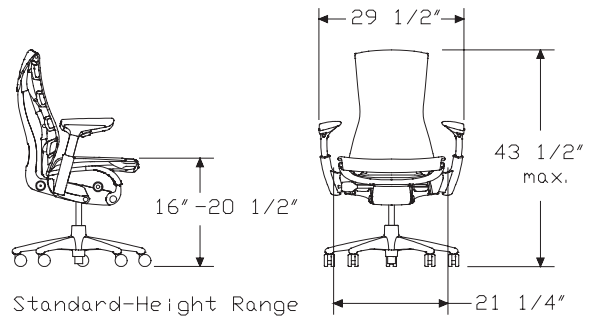
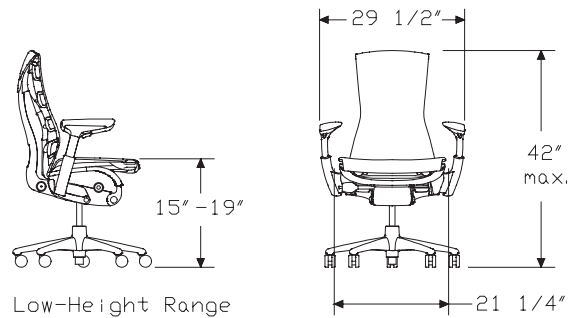
For information on casters, see Casters and Glides in Appendices. Customer's Own Material (COM) and Customer's Own Leather (COL) are not available on this chair.

MicrobeCare™ is an antimicrobial coating that can be applied to a wide variety of Herman Miller Group surfaces to protect products from mold, mildew, algae, and bacteria that cause deterioration, discoloration, odors, and stains.

MicrobeCare™ is a US Environmental Protection Agency (EPA) registered nonpublic health antimicrobial.

MicrobeCare™ is applied to the major touchpoints, including the seat, backrest, arms, armrests, frame and adjustment controls.

Dimensions



Specification Information

Step 1.

CN1 A

Step 2. Height Range

12	low-height range	+\$2121
22	standard-height range <input type="checkbox"/> A	+\$2121
32	high-height range	+\$2189

Step 3. Arms

AWAA fully adjustable arms +\$240

Step 4. Base Finish

G1	graphite (CP)	+\$0
XT	titanium	+\$40
CD	polished aluminum	+\$300

Step 5. Frame Finish

G1	graphite (CP) <input type="checkbox"/> A	+\$0
91	white (CP)	+\$45
MG1	graphite with MicrobeCare™ <input type="checkbox"/> A	+\$70
M91	white with MicrobeCare™ <input type="checkbox"/> A	+\$115

Step 6. Casters

BB	2½" hard caster, black yoke, carpet only <input type="checkbox"/> A	+\$0
C7	2½" caster, black yoke, hard floors or carpet	+\$50
C9	2½" braking caster, black yoke, hard floors or carpet	+\$50
H9	2½" translucent caster, hard floors or carpet	+\$70

Step 7. Fabric

See application chart and textiles list for fabric usage and numbers. First 2 digits of number indicate fabric line; remaining digit(s) indicate fabric color.

Price Category 1	+\$0
Price Category 2	+\$72
Price Category 4	+\$147

Embody LogitechG Gaming Chair,
Contract

CN1L2
CN1L3



Product Information

Description

Embody® was originally designed with the input of more than 30 physicians and PhDs in biomechanics, vision, physical therapy, and ergonomics. Now, we've researched how gamers sit and enhanced the original design in partnership with Logitech G®.

Embody has a pixelated seat and back that is textile-covered on the chair's front side. This construction provides support and comfort by spontaneously conforming to the user's shape and postural movements while simultaneously moving heat away from the body with copper-fused cooling foam. The Instinctive Back design mimics the human spine, providing passive support to the sacral, lumbar, and thoracic regions of the user's back, while the frameless, narrow back shape allows freedom of movement through the arms, neck and shoulders. The seat depth adjusts from 15" to 18" in 6 locking positions. The tilt supports the thoracic spine and stabilizes the pelvis through the deep, balanced recline. The tilt limiter allows the user to limit the amount of recline. The seat has an additional layer of foam to support more active posture utilized by gamers. The chair has a 5-star base and standard- or high-height range options.

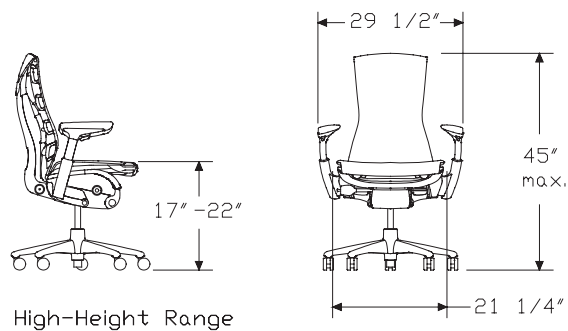
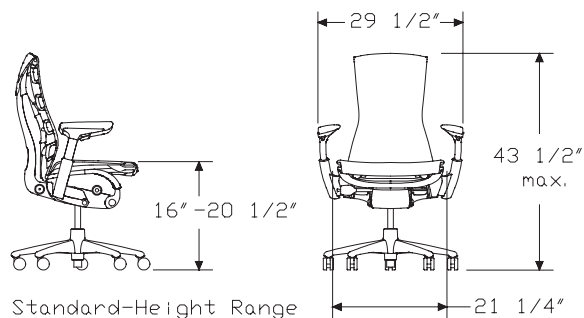
Fully adjustable arms adjust 6" vertically and 6" horizontally.

Notes

For information on casters, see Casters and Glides in Appendices.

Customer's Own Material (COM) and Customer's Own Leather (COL) are not available on this chair.

Dimensions



Embody® Gaming Chairs

Embody LogitechG Gaming Chair,
Contract *continued*

Embody® Gaming Chairs

Specification Information		
Step 1.		
CN1L		
Step 2. Height Range		
22	standard-height range	+\$2347
32	high-height range	+\$2420
Step 3. Arms		
AWAA	fully adjustable arms	+\$247
Step 4. Branding		
EL	herman miller Europe + LogitechG with FR	+\$0
HL	herman miller + logitechG	+\$0
Step 5. Base Finish		
91	white (CP)	+\$0
G1	graphite (CP)	+\$0
Step 6. Frame Finish		
<i>For graphite (CP) (G1)</i>		
G1	graphite (CP)	+\$0
<i>For white (CP) (91)</i>		
91	white (CP)	+\$0
Step 7. Back Mat Color		
<i>For graphite (CP) (G1)</i>		
G1	graphite (CP)	+\$0
TCY	translucent cyan	+\$0
TNO	translucent nova	+\$0
<i>For white (CP) (91)</i>		
TAE	translucent amethyst	+\$0
TGL	translucent galaxy	+\$0
TIG	translucent ignite	+\$0
Step 8. Accent Color		
<i>For translucent cyan (TCY)</i>		
LHC	cyan	+\$0
<i>For graphite (CP) (G1)</i>		
98	studio white (CP)	+\$0

<i>For translucent amethyst (TAE)</i>		
91	white (CP)	+\$0
<i>For translucent galaxy (TGL)</i>		
91	white (CP)	+\$0
<i>For translucent ignite (TIG)</i>		
IGN	ignite	+\$0
<i>For translucent nova (TNO)</i>		
NOA	nova	+\$0
Step 9. Casters		
<i>For cyan (LHC)</i>		
C7	2½" caster, black yoke, hard floors or carpet	+\$50
<i>For studio white (CP) (98)</i>		
HC8	2½" caster, white, hard floors or carpet	+\$70
<i>For white (CP) (91)</i>		
C7	2½" caster, black yoke, hard floors or carpet	+\$50
<i>For white (CP) (91)</i>		
C7	2½" caster, black yoke, hard floors or carpet	+\$50
<i>For ignite (IGN)</i>		
C7	2½" caster, black yoke, hard floors or carpet	+\$50
<i>For nova (NOA)</i>		
C7	2½" caster, black yoke, hard floors or carpet	+\$50
Step 10. Fabric		
<i>See application chart and textiles list for fabric usage and numbers. First 2 digits of number indicate fabric line; remaining digit(s) indicate fabric color.</i>		
<i>For 2½" caster, white, hard floors or carpet (HC8) or 2½" caster, black yoke, hard floors or carpet (C7)</i>		
Price Category 4		+\$147
<i>For 2½" caster, black yoke, hard floors or carpet (C7)</i>		
Price Category 4		+\$147
<i>For 2½" caster, black yoke, hard floors or carpet (C7)</i>		
Price Category 4		+\$147

Embody LogitechG Gaming Chair,
Contract *continued*

*For translucent ignite (TIG) with 2½" caster, black yoke, hard floors or carpet
(C7)*

Price Category 4 + \$147

*For translucent nova (TNO) with 2½" caster, black yoke, hard floors or carpet
(C7)*

Price Category 4 + \$147

Work Chair, Ready to Assemble

CN212
CN222
CN232



Embody® Work Chairs

Product Information

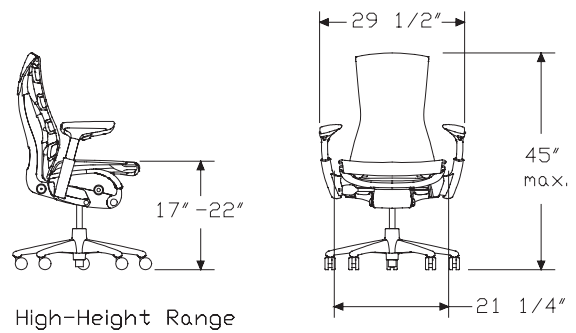
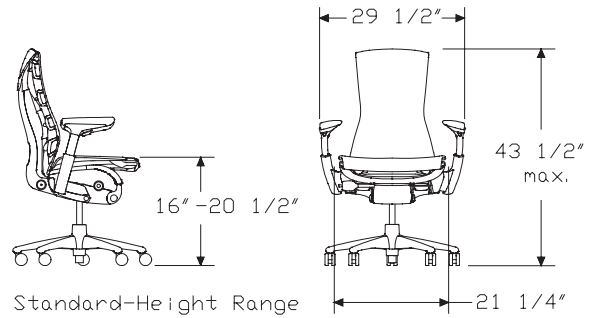
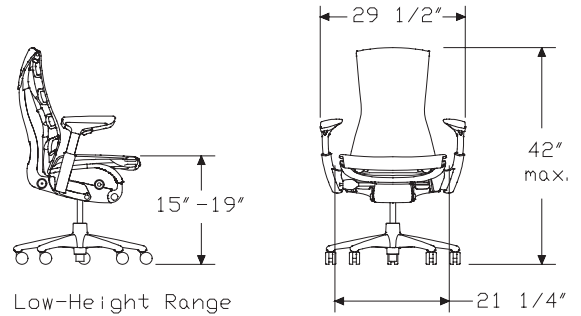
Description

This chair has a pixelated seat and back that is textile-covered on the chair's front side. This construction provides support and comfort by spontaneously conforming to the user's shape and postural movements, while simultaneously moving heat away from the body. The Instinctive Back design mimics the human spine, providing passive support to the sacral, lumbar, and thoracic regions of the user's back, while the frameless, narrow back shape allows freedom of movement through the arms, neck and shoulders. The seat depth adjusts from 15" to 18" in 6 locking positions. The tilt supports the thoracic spine and stabilizes the pelvis through the deep, balanced recline. The tilt limiter allows the user to limit the amount of recline. The chair has a 5-star base and low-, standard-, or high-height range options. Fully adjustable arms adjust 6" vertically and 6" horizontally. Textile on chair's front side is replaceable.

Notes

Chair components are packaged and shipped ready to assemble in the field. For chairs with 4SC12, 3014, 3512, 3513, 21310, 1HA03, 1HA04, 1HA15, 1HA27, 3SY08, 3SY12, Z1804 or Z1816 textile color and graphite (G1) frame finish, the back mat is graphite. For all other options, the back mat is translucent. For information on casters, see Casters and Glides in Appendices. Customer's Own Material (COM) and Customer's Own Leather (COL) are not available on this chair. MicrobeCare™ is an antimicrobial coating that can be applied to a wide variety of Herman Miller Group surfaces to protect products from mold, mildew, algae, and bacteria that cause deterioration, discoloration, odors, and stains. MicrobeCare™ is a US Environmental Protection Agency (EPA) registered nonpublic health antimicrobial. MicrobeCare™ is applied to the major touchpoints, including the seat, backrest, arms, armrests, frame and adjustment controls.

Dimensions



Work Chair, Ready to Assemble



continued

Specification Information		
Step 1.		
CN2	<input type="checkbox"/> A	
Step 2. Height Range		
12	low-height range	+\$2121
22	standard-height range <input type="checkbox"/> A	+\$2121
32	high-height range <input type="checkbox"/> A	+\$2189
Step 3. Arms		
AWAA	fully adjustable arms <input type="checkbox"/> A	+\$240
Step 4. Base Finish		
G1	graphite (CP) <input type="checkbox"/> A	+\$0
XT	titanium <input type="checkbox"/> A	+\$40
CD	polished aluminum	+\$300
Step 5. Frame Finish		
G1	graphite (CP) <input type="checkbox"/> A	+\$0
91	white (CP) <input type="checkbox"/> A	+\$45
MG1	graphite with MicrobeCare™ <input type="checkbox"/> A	+\$70
M91	white with MicrobeCare™ <input type="checkbox"/> A	+\$115
Step 6. Casters		
BB	2½" hard caster, black yoke, carpet only <input type="checkbox"/> A	+\$0
C7	2½" caster, black yoke, hard floors or carpet <input type="checkbox"/> A	+\$50
C9	2½" braking caster, black yoke, hard floors or carpet	+\$50
H9	2½" translucent caster, hard floors or carpet	+\$70
Step 7. Fabric		
<i>See application chart and textiles list for fabric usage and numbers. First 2 digits of number indicate fabric line; remaining digit(s) indicate fabric color.</i>		
	Price Category 1	+\$0
	Price Category 2	+\$72
	Price Category 4	+\$147

20-Day or Less/Assigned Lead-Time Order Information

20-Day or Less and Assigned Lead-Time Programs

20-day or less and assigned lead-time products are designed for established Herman Miller dealers with pre-approved credit.

Products are distributed from multiple manufacturing facilities across the United States. All products and options not designated by an Assigned Lead-Time icon  will ship in 20 business days or less after being acknowledged by Herman Miller. Products and options designated by an  are on the assigned lead-time program and will ship in 20 days, less than 20 days, or more than 20 days from order acknowledgement.

Ordering Procedure

Please place orders through Order Manager. If this is not available to you, place orders through mail or fax. Verbal purchase orders will not be accepted.

Order Entry fax number for Meridian®

Filing and Storage: (616) 846 9236.

Order Entry fax number for all other products:

(616) 654 3085.

For more information, contact your Customer Care representative at: (866) 854 3048 ext 3400.

Shipments and Delivery

Per Herman Miller Terms and Conditions.

Changes and Cancellation

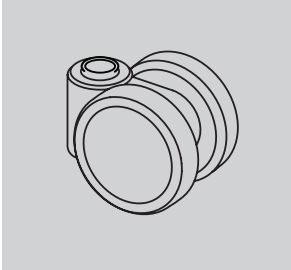
Per Herman Miller Terms and Conditions.



Casters and Glides

▲	WARNING	▲
Depending on the floor surface, chair may unexpectedly roll away from user when entering or exiting the chair, possibly leading to unexpected injury. Please refer to descriptions of floor types when selecting casters.		

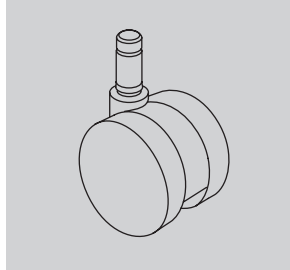
32 Caster



1 7/8-inch-diameter hard double-wheel caster; black nylon wheels and yoke; for use on carpet only

Applicable on:
Sayl® Chairs

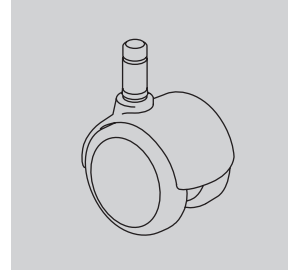
BB Caster



2 1/2-inch-diameter hard double-wheel caster; black nylon wheels and yoke; for use on carpet only

Applicable on:
Asari Chair by Herman Miller™
New Aeron® Chairs
Caper® Chairs
Embody® Chairs
Fuld Nesting Chairs
Lino™ Chairs
Sayl Chairs
Mirra® 2 Chairs, Verus™ Chairs

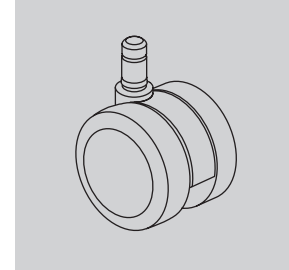
BSC Caster



2-inch-diameter double-wheel caster; black nylon wheels and hood; soft polyurethane tread; for use on hard floors or carpet

Applicable on:
Eames® Aluminum Group
Eames Executive Chairs
Eames Soft Pad Group
Eames Task Chairs

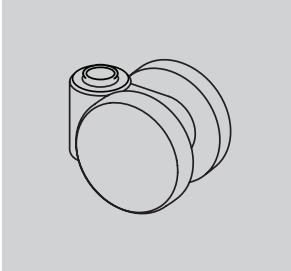
C9 Caster



2 1/2-inch-diameter double-wheel caster; black nylon wheels and yoke; soft polyurethane tread; internal brake; for use on hard floors or carpet

Applicable on:
Caper Chairs
Embody Chairs
Lino Chairs
Mirra 2 Chairs
Sayl Chairs
Setu® Chairs
Verus Chairs

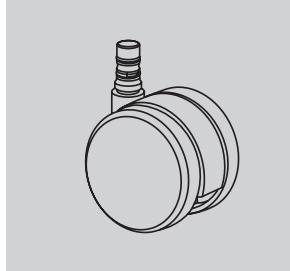
49 Caster



1 7/8-inch-diameter soft double-wheel caster; black nylon wheels and yoke; for use on hard floors or carpet

Applicable on:
Sayl Chairs

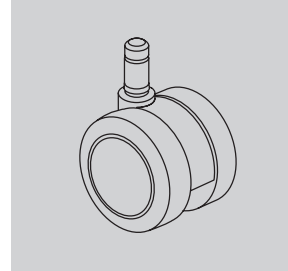
BKS Caster



2 1/2-inch-diameter hard double-wheel caster; black yoke; quiet roll technology; for use on carpet only

Applicable on:
Cosm™ Chairs

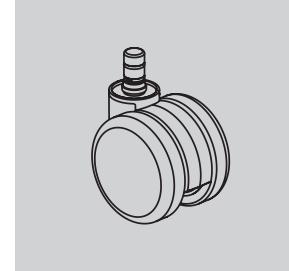
C7 Caster



2 1/2-inch-diameter double-wheel caster; black nylon wheels and yoke; soft polyurethane tread; for use on hard floors or carpet

Applicable on:
Asari Chair by Herman Miller™
New Aeron Chairs
Caper Chairs
Embody Chairs
Fuld Nesting Chairs
Lino Chairs Sayl Chairs
Mirra 2 Chairs Verus Chairs

CSQ Caster



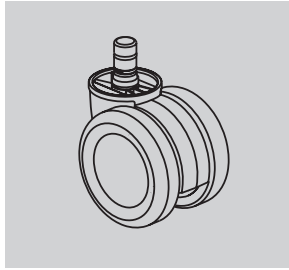
2 1/2-inch-diameter double-wheel caster; color-matched nylon wheels and yoke; soft polyurethane tread; for use on hard floors or carpet

Applicable on:
Zeph® Chairs

Casters and Glides

continued

DC1 Caster

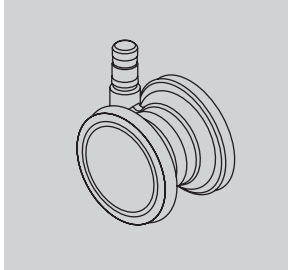


2 1/2-inch-diameter double-wheel braking caster; black nylon wheels and yoke; for use on hard floors or carpet; quiet roll technology

Applicable on:

New Aeron Chairs

H9 Caster

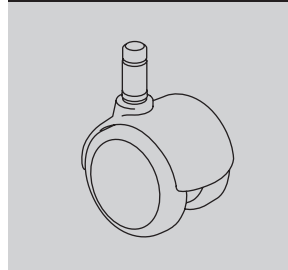


2 1/2-inch-diameter double-wheel caster; clear polycarbonate wheels; nylon yoke; soft polyurethane tread; for use on carpet only

Applicable on:

Embody Chairs

MD Caster

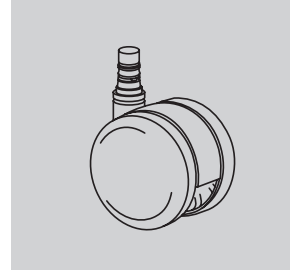


2-inch-diameter double-wheel caster; black nylon wheels with integral chrome hood; soft polyurethane tread; for use on hard floors or carpet

Applicable on:

Eames® Aluminum Group
Eames Executive Chairs
Eames Soft Pad Group
Eames Task Chairs

OC Caster

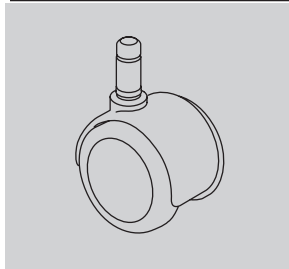


2 1/2-inch-diameter double-wheel medium roll-resistant caster; black nylon wheels and yoke; soft polyurethane tread; for use on hard floors or carpet; quiet roll technology

Applicable on:

Cosm Chairs
Fuld Nesting Chairs
Setu Chairs

DS Caster

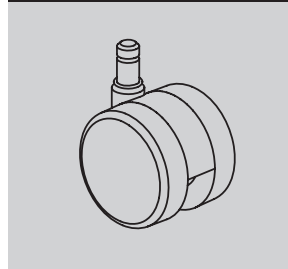


2-inch-diameter soft double-wheel braking caster; black nylon wheels and hood; for use on hard floors only

Applicable on:

Aside® Chairs
Caper Chairs

HCC Caster

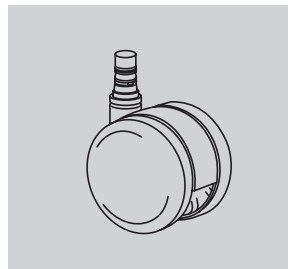


2 1/2-inch-diameter double-wheel low roll resistance caster; black nylon yoke; for use on hard floors or carpet

Applicable on:

Setu Chairs

O2 Caster

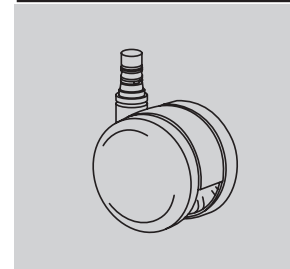


2 1/2-inch-diameter double-wheel caster; nylon wheels and yoke; soft polyurethane tread; quiet roll technology; for use on hard floors or carpet

Applicable on:

Cosm Chairs

SC8 Caster



2 1/2-inch-diameter double-wheel caster; black nylon wheels and yoke; soft polyurethane tread; quiet roll technology; for use on hard floors or carpet

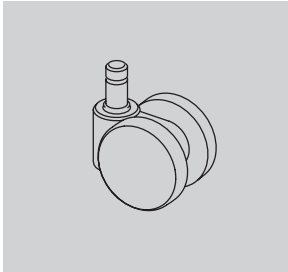
Applicable on:

Cosm Chairs
Fuld Nesting Chairs
Lino Chairs
Mirra 2 Chairs
Verus Chairs

Casters and Glides

continued

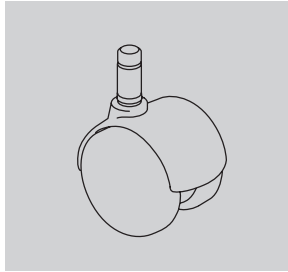
U4 Caster



1⁷/₈-inch-diameter hard double-wheel caster; black nylon wheels and yoke; for use on carpet only

Applicable on:
Aside Chairs
Verus Chairs

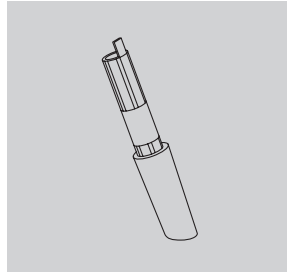
UD Caster



2-inch-diameter hard double-wheel caster; black nylon wheels with painted hood; for use on carpet only

Applicable on:
Eames® Aluminum Group
Eames Executive Chairs
Eames Soft Pad Group
Eames Task Chairs

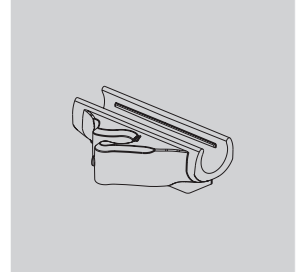
16 Glide



(Front glide shown)
2¹/₈-inch-high glide; black or fog acetal; for use on carpet only

Applicable on:
Sayl Chairs

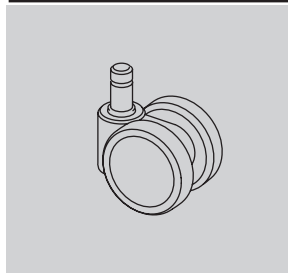
FGG Glide



1/2-inch-high ganging glide; black ABS plastic with black felt bottom; for use on resilient flooring

Applicable on:
Pronta Stacking Chairs

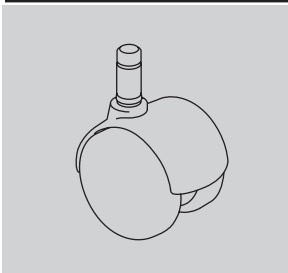
U5 Caster



1⁷/₈-inch-diameter soft double-wheel caster; black nylon wheels and yoke; for use on hard floors or carpet

Applicable on:
Aside Chairs
Caper Chairs
Verus Chairs

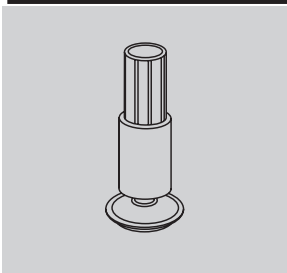
VD Caster



2-inch-diameter hard double-wheel caster; black nylon wheels with integral chrome hood; for use on carpet only

Applicable on:
Eames Aluminum Group
Eames Executive Chairs
Eames Soft Pad Group
Eames Task Chairs

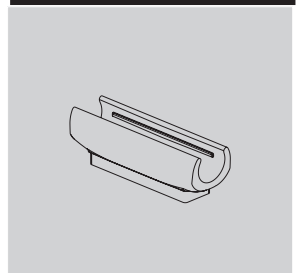
69 Glide



(Front glide shown)
2¹/₈-inch-high glide; black glass-filled nylon stem; steel-plated swivel foot with Floor Saver Glide™ insert; for use on hard floors only

Applicable on:
Sayl Chairs

FTG Glide



1/2-inch-high glide; black ABS plastic with black felt bottom; for use on resilient flooring

Applicable on:
Pronta Stacking Chairs

Casters and Glides

continued

G4 Glide



1⁷/₈-inch-high glide; black acetal; for use on carpet only

Applicable on:

Verus Chairs

GF Glide



2¹/₂-inch-high glide; black nylon; for use on hard floors or carpet

Applicable on:

New Aeron Chairs
Caper Chairs
Cosm Chairs
Lino Chairs
Mirra 2 Chairs
Sayl Chairs
Verus Chairs

GG Glide



1¹/₂-inch-high ganging glide; clear polycarbonate; for use on hard floors or carpet

Applicable on:

Pronta Stacking Chairs

GLN Glide



Acetal glide; for use on carpet only

Applicable on:

Fuld Nesting Chairs

GD Glide



1¹/₂-inch-diameter glide; 1/2 inch in height; black nylon; for use on hard floors or carpet

Applicable on:

Eames Aluminum Group
Eames Executive Chairs
Eames Soft Pad Group
Eames Task Chairs

GFG Glide



Floor Saver Glide™ insert; for use on hard floors only

Applicable on:

Zeph Chairs

GL Glide



1⁷/₈-inch-high glide; black nylon stem; steel-plated swivel foot with Floor Saver Glide™ insert; for use on hard floors only

Applicable on:

Verus chairs

GNB Glide



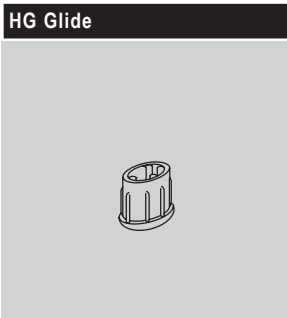
Swivel glide; nylon base; for use on carpet only

Applicable on:

Zeph Chairs

Casters and Glides

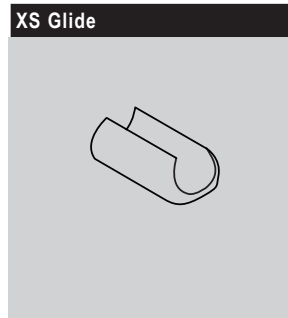
continued



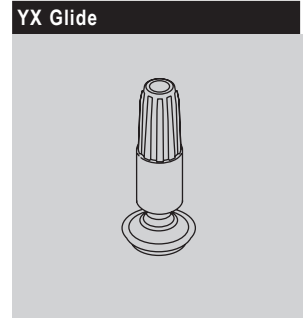
HG Glide
1/2-inch-high glide; black nylon glide with stainless-steel insert; for use on hard floors or carpet
Applicable on:
Aside Chairs



SG Glide (for Pronta)
1/2-inch-high glide; clear polycarbonate; for use on hard floors or carpet
Applicable on:
Pronta Stacking Chairs



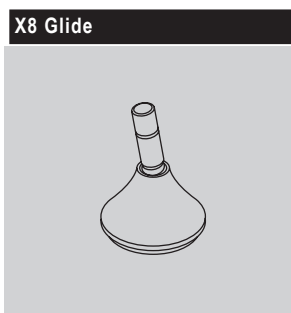
XS Glide
1/8-inch-high glide; polycarbonate in black, fog, clear, and studio white finishes; for use on hard floors or carpet
Applicable on:
Sayl Chairs



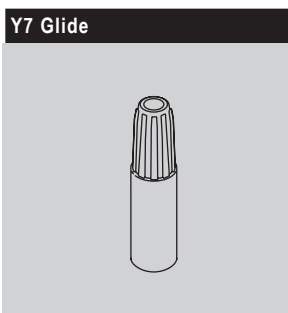
YX Glide
1 7/8-inch-high glide; black nylon stem; steel-plated swivel foot with Floor Saver Glide™ insert; for use on hard floors only
Applicable on:
Caper Chairs



SG Glide (for Aside)
1/2-inch-high glide; black nylon; for use on carpet only
Applicable on:
Aside Chairs



X8 Glide
Glide; low profile; for use on hard floors or carpet
Applicable on:
Setu Chairs



Y7 Glide
1 7/8-inch-high glide; black acetal; for use on carpet only
Applicable on:
Caper Chairs

For more information about our products and services or to see a list of dealers, please visit us at HermanMiller.com or call (800) 851 1196.

© 2026 Herman Miller, Inc., Zeeland, Michigan

Distribution Rights

Working together since 1956, Herman Miller and Vitra are the authentic sources of designs by Charles and Ray Eames, Alexander Girard, and George Nelson. All the designs shown in this book are protected by law. Herman Miller has obtained all rights to make and sell these designs. Also, Herman Miller holds exclusive worldwide manufacturing and distribution rights for these products with the following exceptions:

Charles and Ray Eames, George Nelson, and Alexander Girard—Worldwide distribution rights for furniture in all areas except Europe and the Middle East. For those areas, please contact Vitra.

Isamu Noguchi—Worldwide distribution rights for the Noguchi Rudder Table. Distribution rights for the Noguchi Table in North America and Central America only. For all other areas, please contact Vitra.

Magis—Exclusive distribution rights in the US and Canada. For all other areas, please contact Magis.

© **HermanMiller**, ●, 3D Intelligent, 8Z Pellicle, AO, Action Office, Aeron, Aside, Bubble Lamps, Canvas Office Landscape, Caper, Celle, Cosm, Co/Struc, Daisyone, Distil, Eames, Eco-Dematerialized, Embody, Envelop, Ethospace, Exclave, Fine-Tune, FlexFront, Flo, Formcoat, Formwork, Ground Cloth, Intent, Kinemat, Layout Studio, Lino, Live Unframed, Living Office, Maharam, Meridian, Mirra, Motia, Nelson, Pari, Pellicle, Perspectives, Plex, PostureFit, PostureFit SL, Public Office Landscape, Sayl, Setu, Striad, Tu, Ubi, Verus, Wishbone, Y-Tower and Zeph are among the registered trademarks of Herman Miller, Inc., and its owned subsidiaries.

™ About Face, AireWeave, Airia, Ambit, Asari Chair by HermanMiller, Backfit, Bubbletack, Burdick Group, Butterfly Back, Canvas Vista, Cellular Suspension, Commend, Compass, Connect, DOT, Duracare, Durawrap, EnhancedAccess, Everywhere, Flex-Edge, Flute, Harmonic, Headway, Herman Miller Select, Hopsak 2, Iota, Keyless Entry, Latitude, Logic Mini, Logic Power Access Solutions, Lyris, Lyris 2, Made-to-Measure Storage, Mora, Multiscrim, Nevi, OE1, OE1 Workspace Collection, Overlay, Pixelated Support, Pronta, Renew, Sense, Soft Pad, Stackable, Stackable Storage, Swoop, Thrive, Tone, TriFlex, Twist and Wireframe are among the trademarks of Herman Miller, Inc., and its owned subsidiaries.

SM Herman Miller Options is among the service marks of Herman Miller, Inc.

AAP™ is a trademark of Extron Electronics.

Alexander Girard® is a registered trademark of The Alexander Girard Estate.

Chemsurf® is a registered trademark of Wilsonart International.

Corian® is a registered trademark of E. I. du Pont de Nemours and Company Corporation.

Crypton® is a registered trademark of Crypton, Inc.

DACRON® is a registered trademark of INVISTA S.a r.l.

Danzer® is a registered trademark of Danzer Holding AG.

Decora® is a registered trademark of Leviton Manufacturing Co., Inc.

Edelman® Leather is a registered trademark of Edelman Leather, Inc.

Extron® is a registered trademark of RGB Systems, Inc.

FENIX NTM® is a registered trademark of Arpa Industriale S.p.A.

FLEXNET™ is a trademark of Milliken & Company.

Floor Saver Glide® is a registered trademark of Carpin Manufacturing, Inc.

Forest Stewardship Council® is a registered trademark of the Forest Stewardship Council A.C. (FSC). We are FSC® certified (FSC® C102895).

FSC® is a registered trademark of the Forest Stewardship Council A.C. (FSC).

Geiger® is a registered trademark, and Bumper™, Saiba™, and Ward Bennett™ are trademarks, of Geiger International.

Hang-It-All® is a registered trademark of Lucia Eames Demetrios, d.b.a. Eames Office.

Holophane® is a registered trademark of Holophane.

Ingeo™ is a trademark of Cargill Dow LLC.

iPad® and Mac mini® are registered trademarks of Apple Inc.

Leviton® is a registered trademark of Leviton Manufacturing Co., Inc.

LifeSize® is a registered trademark of LifeSize Communications, Inc.

Lisocore® is a registered trademark of Pyrus Panels GmbH.

Logitech G® is a registered trademark of Logitech International S.A.

Magis®, Bombo®, and Me Too® are registered trademarks of Magis S.p.A.

MicrobeCare™ is a trademark of Parasol Medical LLC.

Microsoft® and Natural® Keyboard are registered trademarks of Microsoft Corporation.

Noguchi® and the Noguchi table configuration (trade dress) are registered trademarks, and Rudder Table™ is a trademark, of The Isamu Noguchi Foundation and Garden Museum.

Place Textiles® is a registered trademark of Place Textiles.

Sunbrella® is a registered trademark of Glen Raven, Inc.

SuperSeat™ is a trademark of Dahti Seating, a division of ITW.