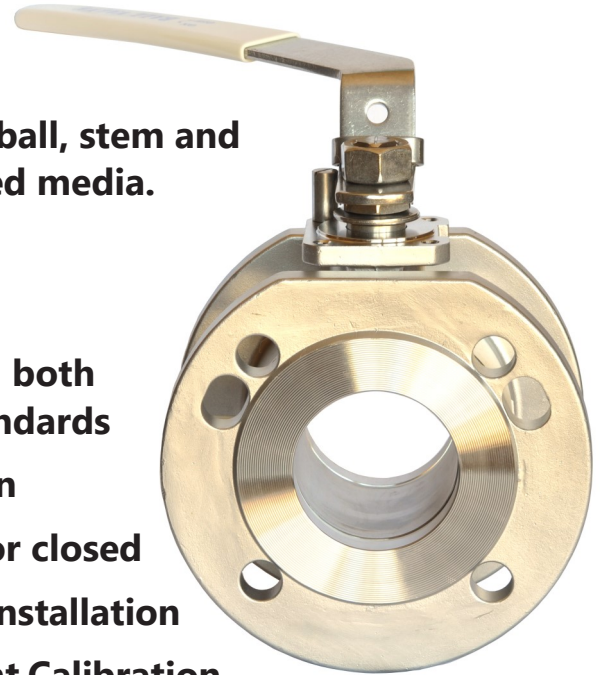


Features:

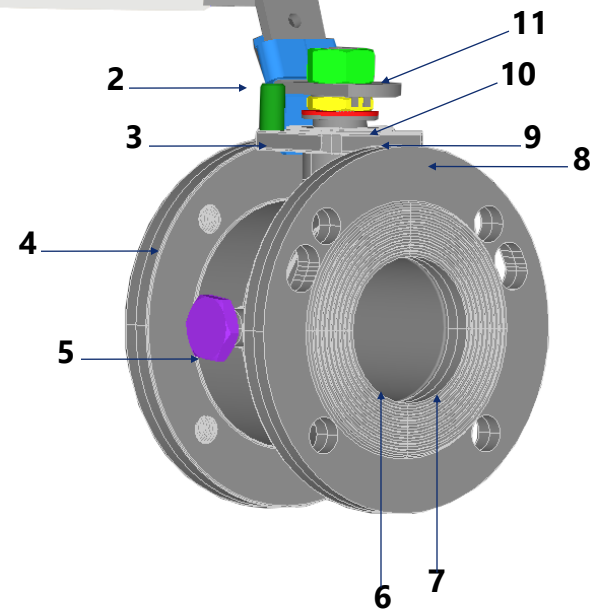
- 317L stainless steel body with Gr. 5 titanium ball, stem and MNPT plug. Designed for use with chlorinated media.
- True, 3" Full port
- Quarter turn open / close
- Bubble tight shutoff as defined by exceeding both ANSI/FCI 70-2-1976 Class VI and API 598 standards
- 45° Handle for fitting in tank recess insulation
- Integral padlock locking device either open or closed
- Uses standard hex head cap screws for easy installation
- Body Purge, Diaphragm Wash and Instrument Calibration performed through one port.



Description:

The Figure 305 LT is built on the successful, patented design of the Figure 305 B, with specific modifications to work with chlorinated media. The body of the Figure 305 LT is 317L SS and the ball, stem and 1/4" MNPT plug are made of Grade 5 titanium. This valve is corrosion resistant, bubble tight and easily installed as a replacement for knife gate valves or in 3" ANSI 150 # 4 bolt flange patterns. Bubble tight shutoff as valve exceeds both the API 598 and ANSI/FCI 70-2-1976 Class VI standards.

Number	Part	Material	Quantity
1	Handle	304 SS	1
2	Latch Lock	304 SS	1
3	Stop Pin	304 SS	1
4	Body	317 L SS	1
5	1/4" NPT Plug	Titanium GR5	1
6	Ball	Titanium GR5	1
*	Stem	Titanium GR5	1
7	Seats	RPTFE	2
8	Mount Pad	317 L SS	1
9	Spring Washers	304 SS	2
10	Nut	304 SS	1
11	Handle Nut	304 SS	1



Technical Specification:

Valve shall be of a ball valve transmitter isolation design with a 317 L stainless steel body and a true, full 3" port. It is to have a tank side flange to accommodate both: standard 3" ANSI 150 # 4 bolt flange pattern and a 26° to 28° offset (knife gate) flange pattern. The instrument end flange is to be drilled and tapped to accommodate a standard 3" ANSI 150 # 4 bolt flange pattern. Valve shall have a 45° offset stainless steel lockable handle. Valve is to include an integral actuator mounting pad. Valve to have single purge / calibration port, 1/4" NPT using a MNPT plug made of the same material as the ball and stem (Grade 5 titanium). Single port flushes body cavity and diaphragm face when valve is open and allows pressure release, removal or calibration of transmitter when valve is closed. Seats to be made of RPTFE; retainer plate gasket and thrust washer in PTFE. Valve to use standard 5/8-11 hex head cap screws for easy installation. Valve tested to exceed both the API 598 and ANSI / FCI 70-2-1976 Class VI standards.