

CW/CWD POWER WASHERS

CW/CWD SERIES: COLD WATER, ELECTRIC MOTOR



CW Series
shown with wheel/
handle kit option



CWD Direct Drive

HANDY AND EFFICIENT FOR MANY FACILITY APPLICATIONS

HYDRO TEK

POWER WASHER

COLD WATER - ELECTRIC, PORTABLE / STATIONARY / WALL MOUNT

CW/CWD
SERIES

Common Features

Stainless Steel Construction:

Superior protection and corrosion resistance for use in industrial applications. Ideal for use where sanitary equipment is a must such as food processing or medical applications.

Industrial Duty Pump:

Industrial triplex ceramic plunger pumps exhibit long lasting performance eliminating downtime and reducing routine maintenance.

Front Mounted Controls:

Front mounted controls for easy access and quick adjustments for multiple cleaning applications. Even nozzles are conveniently stored in the front panel.

Downstream Soap Injection:

Soaps and chemicals are introduced after the pump eliminating the risk of pump damage. Soap selection & volume controlled from the panel mounted soap knob, and activated from the gun without returning to the machine. Inlet soap/float tank is an available option for most models.

More Standard Features:

- High efficiency electric motors
- Heavy duty hose, wand, trigger gun, and quick connect nozzles.

CW Belt Drive Models

EZ Align™ Belt System:

This belt tensioning system allows for easy belt adjustment with a single adjustment bolt, no need to reach underneath the washer.

High Temperature Inlet Water Compatibility:

Standard high temp pump rating of 165°F on all models makes it easy to supply the washer with hot water from your existing water heater, boiler or other hot water source. This helps you clean faster and sanitizes the environment that you are cleaning. The CW washers do not create exhaust emissions making them ideal for indoor applications. Unit shuts off automatically if temperature rating is exceeded, protecting pump from heat damage.

An optional 185°F and 190°F inlet water temperature rating is available on some models.

High Flow Models:

New high flow models, up to 7.4gpm, allows you to save time and get the job done faster. By adding additional wash stations at your facility, multiple operators are able to wash simultaneously giving you the flexibility of cleaning different areas at the same time.

Versatile Portability or Mounting Options:

The CW's unique design allows you to choose to install a wheel kit for portability or choose to mount unit to the wall in a convenient stationary location with the optional wall mount brackets.

Water Tight Electrical Enclosure NEMA 4:

ETL certified to UL1776 Class 2, for use in wash-down area, exceeding industry standards. Electrical box features an hour meter and instant access to the electronics.

Auto On/Off with Adjustable Time Delay Shutdown:

Operator has total control over the system from the spray wand including pressure adjustment. This added convenience saves electricity, time, and effort while reducing pump wear.

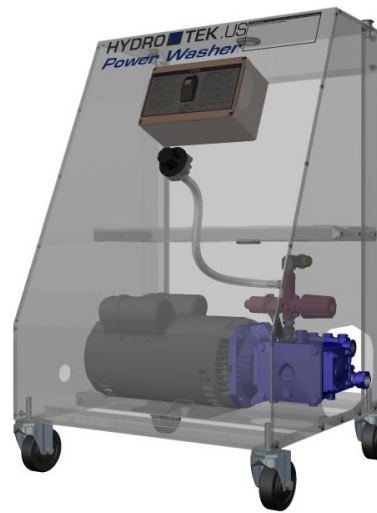
CWD Direct Drive Models

Compact and Portable Design:

CWD models include caster wheels to move the pressure washer right where you need it or push it up against a wall out of your way. Built in soap container storage rack.

Electronic Trigger Start:

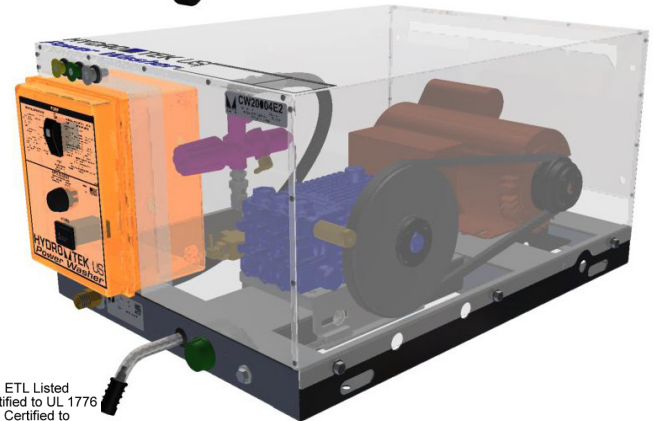
Clean with the squeeze of a trigger gun, no traveling back and forth to the machine to turn on after time delay shutdown.



CWD
Direct Drive



CW Series



Specifications

Model	PSI	GPM	Inlet Water Temp.	HP	Voltage
CWD15002E1	1500	2.0	cold	2	115v - 1ph - 15a
CWD22004E2	2200	3.5	cold	5	208/230v - 1ph

CW10003E1	1000	3.0	*up to 190°	2	115v - 1ph - 20a
CW20004E2	2000	3.8	*up to 190°	5	208/230v - 1ph
CW30004E2+	3000	3.9	cold	8	208/230v - 1ph
CW30004E3	3000	3.6	cold	7.5	208/230v - 3ph
CW30004E4	3000	3.6	cold	7.5	460v - 3ph
CW30005E3	3000	4.8	*up to 190°	10	208/230v - 3ph
CW30005E4	3000	4.8	*up to 190°	10	460v - 3ph
CW30008E3	3000	7.4	cold	15	208/230v - 3ph
CW30008E4	3000	7.4	cold	15	460v - 3ph

*up to 190° with Cat pump upgrade, *up to 185° with GP hot seal kit
+ ETL UL1776 / CSA certification requires additional options for this model
Specifications may vary, consult factory for custom models

Dimensions (LxWxH): CW models 29"x21"x15" (31"x31"x20" with wheels, plus handle height) CWD 16"x20"x32"

Optional Accessories...

Wall mount hose reel CW model options: Multi-station outlets, wall mount remote options, wheel/handle kit, wall-mount brackets, high temp seal kit for pump, float tank/inlet soap injection, Cat pump options

DISTRIBUTED BY:

HYDRO TEK
CLEANING EQUIPMENT MFG.

2353 Almond Ave. Redlands, CA 92374
phone 800.274.9376 or 1.909.799.9222
www.hydrotek.us fax 909.799.9888