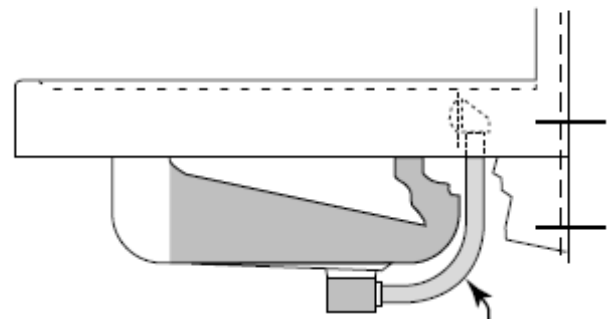
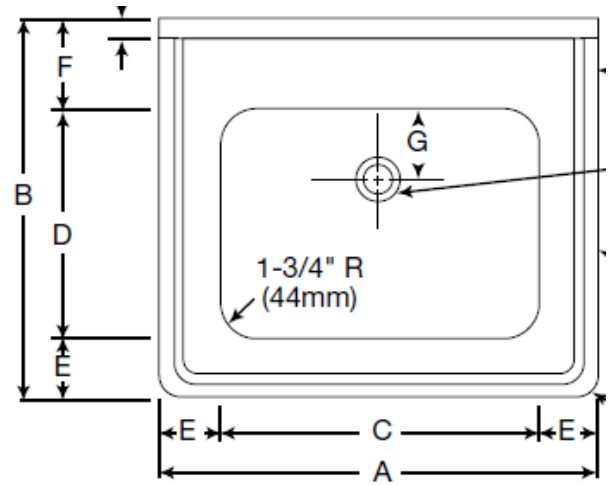




# WICKETTS STAINLESS SPECIFICATION

W-2219-WO-ADA

SINGLE STATION LAVATORY



Model Number	A	B	C	D	E	F
W-2219WO-ADA	22	19	16	12	3	4

**Engineering Specification:** 16 gauge, type 304 stainless steel single wash sink. Exposed surfaces polished to a satin finish. Supported on (2) wall brackets and clips.

Wicketts Stainless, LLC.  
 2618 San Miguel Dr. Bldg. # 376  
 Newport Beach, CA 92660  
 Tel: 949-438-7535  
 Fax: 951-638-9059  
 sales@wickettsstainless.com  
 www.wickettsstainless.com



**WARNING:**  
 This product can expose you to chemicals, which are known to the State of California to cause cancer. For more information, visit [www.P65Warnings.ca.gov](http://www.P65Warnings.ca.gov).

Approved for Manufacturing  
 Company: \_\_\_\_\_  
 Signature: \_\_\_\_\_  
 Print: \_\_\_\_\_ Date: \_\_\_\_/\_\_\_\_/\_\_\_\_