

# ICE CREAM DIPPING CABINETS

REFRIGERATION



**EDC18X**



**EDC26X  
EDC35X**

Model	Size
EDC18X	47" Unit
EDC26X	67" Unit
EDC35X	88" Unit

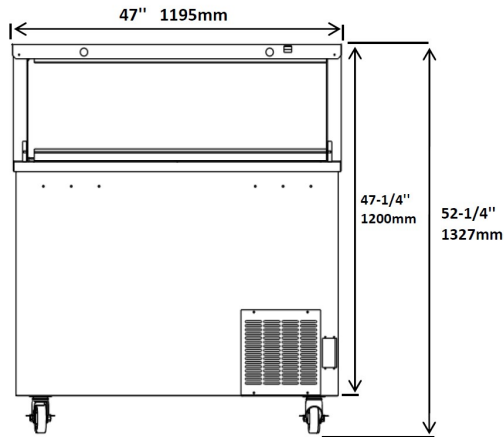
### STANDARD FEATURES

- Stainless steel top, with glass viewing window. White aluminum interior and exterior.
- Refrigeration system keeps ice cream at temperatures between -10°F and -5°F
- Transparent lids hinged with a full length handle.
- Ice Cream Tub Holders and Tub Covers included with night covers.
- Electronic control system makes it easy to adjust temperature set point and defrost frequency.
- Pre-installed 3" swivel casters with brakes.
- Easy to access condenser coil for cleaning and service.
- Uses R290 refrigerant, which is eco-friendly and more efficient.
- Interior efficient LET lighting
- Warranty: Two year parts & labor warranty, and additional three years on compressor.

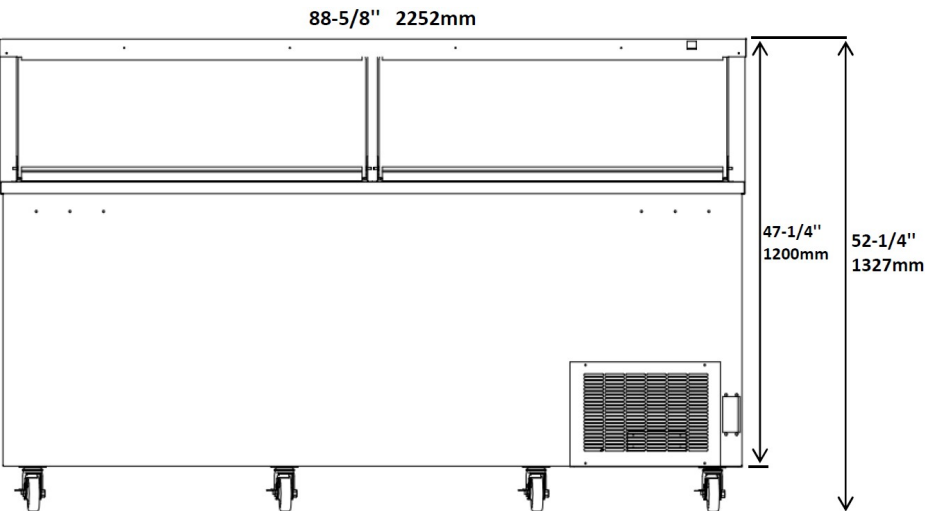
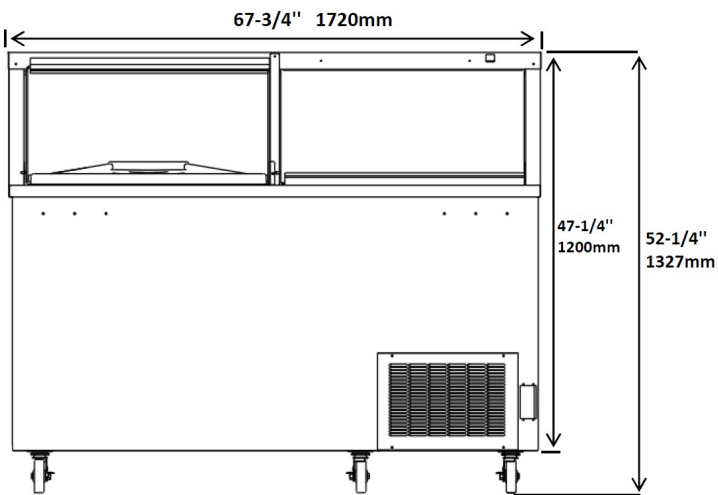
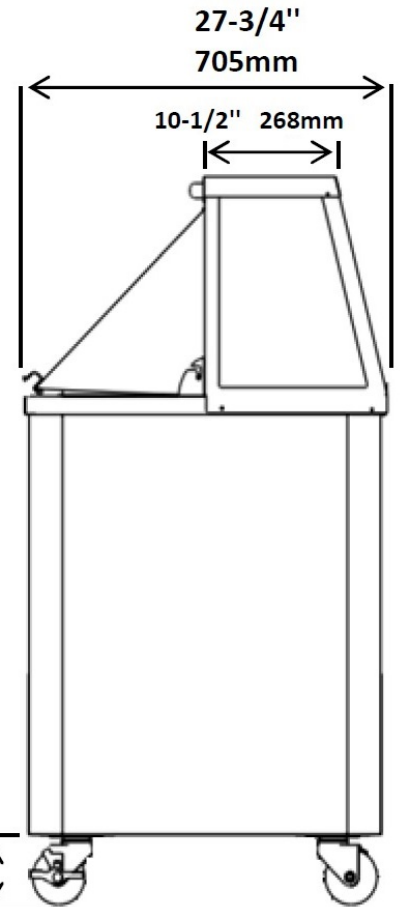
\*Not suitable for installation in a non-commercial or residential applications.

Items	Description	Items	Description
Top	Stainless steel	Temperature control	Solid state thermostat/Digital display
Doors	Transparent hinged lid	Approvals	ETL LISTED
External back	White Aluminum	Refrigerating system	Capillary tube
Cabinet interior	White Aluminum	Refrigerant	R290
Interior floor	White Aluminum	Temperature range	-10°F to -5°F
Insulation	Polyurethane (CFC free)	Evaporator	Powder coated aluminum/copper
		Condensing unit	Bottom mounted

CONFORMS TO NSF/ANSI STD 7



SIDE VIEW ALL



Model	LIDS	RACKS	RACKS		Cabinet Dim (inches)			HP	Voltage	Amps	NEMA Plug	Cord Length	Ship Weight
			W	D	H								
EDC18X	1	4	8	4	47	27.75	52.25	1/4	115/60/1	5.16	5-15P	10	345
EDC26X	2	6	□	8	67.75	27.75	52.25	1/2	115/60/1	5.64	5-15P	10	431
EDC35X	2	8	□	%&	88.625	27.75	52.25	1	115/60/1	6.00	5-15P	10	528