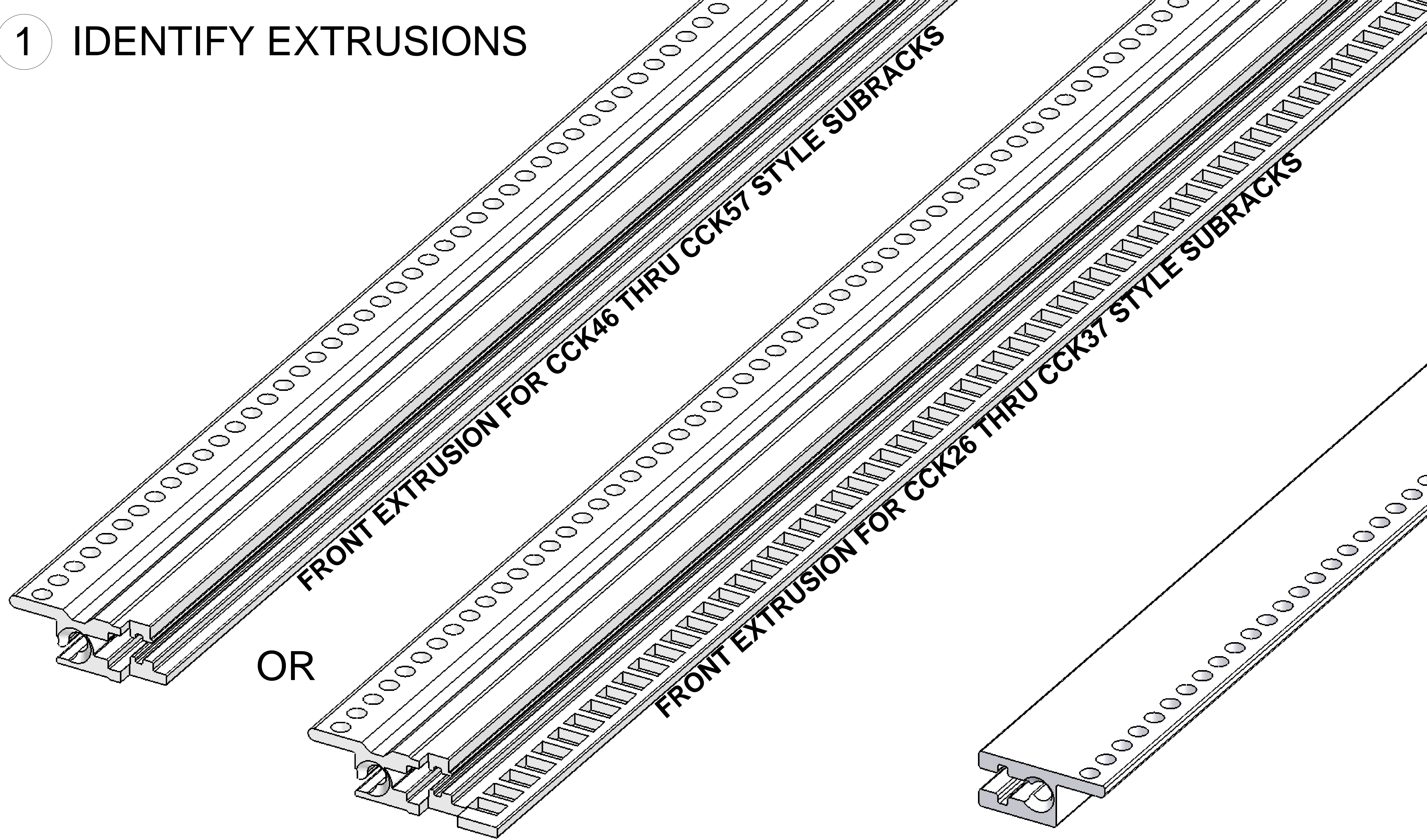


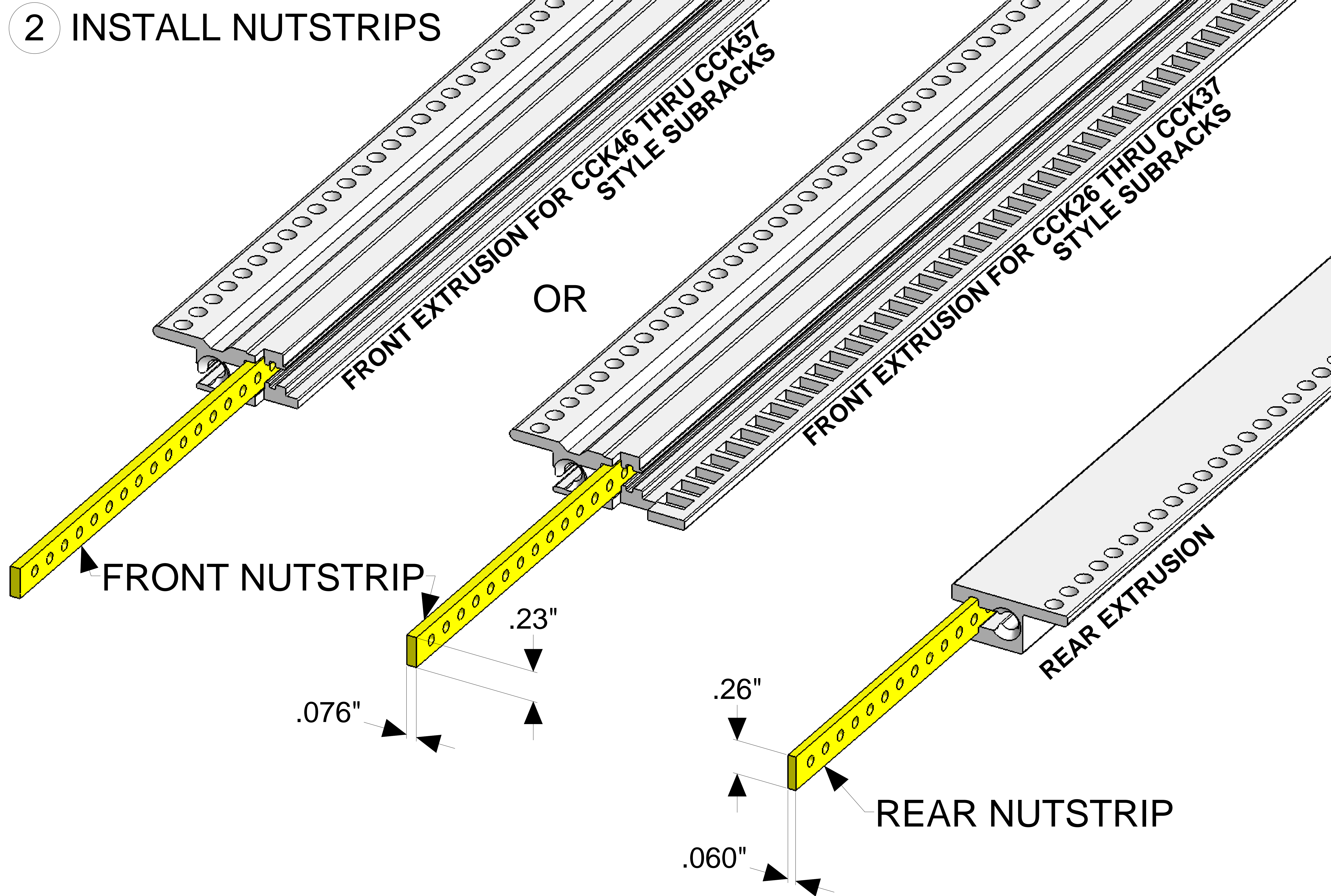
1 IDENTIFY EXTRUSIONS

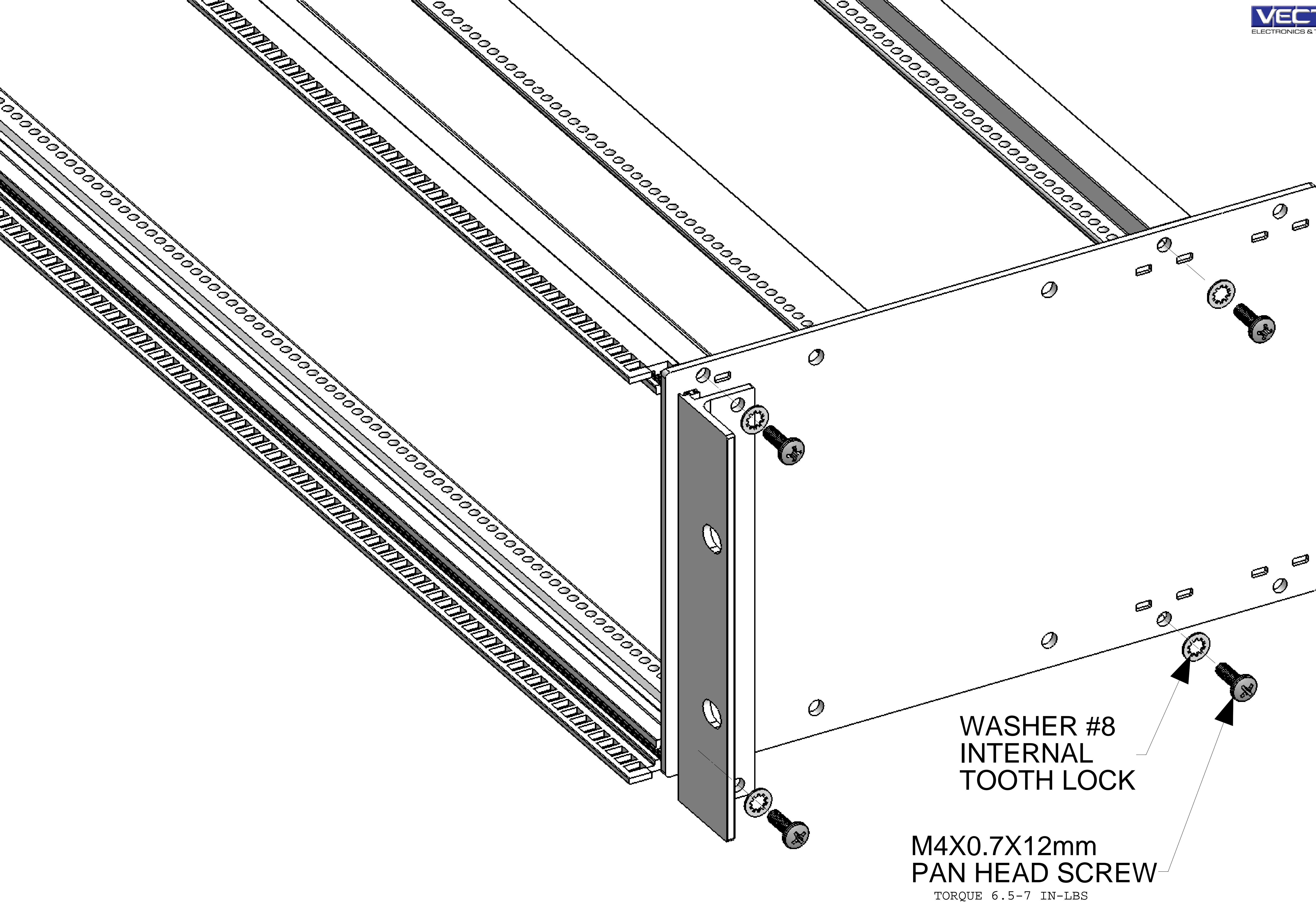


FRONT EXTRUSION

REAR EXTRUSION

2 INSTALL NUTSTRIPS





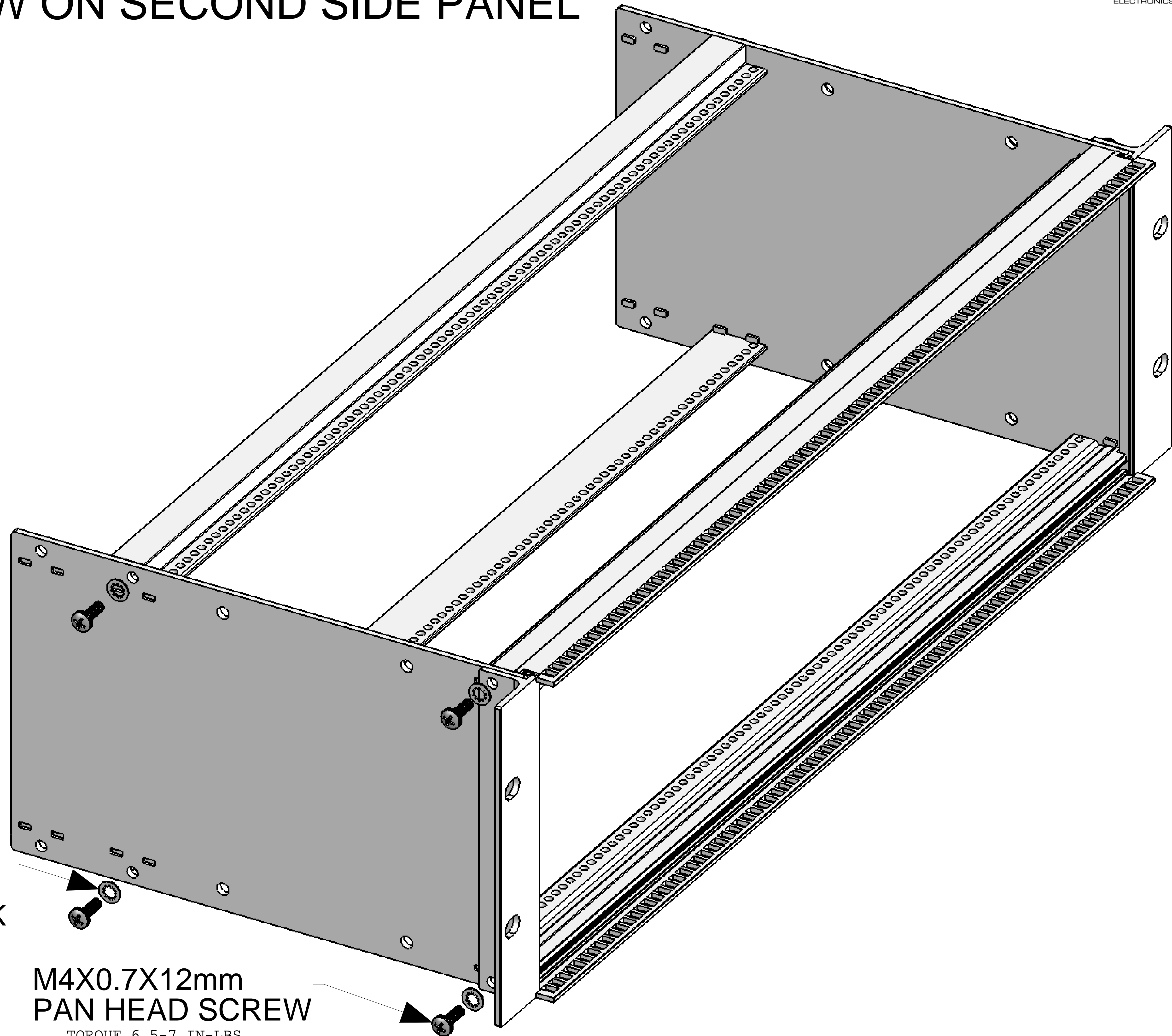
3 SCREW FRONT & REAR EXTRUSIONS TO ONE SIDE PANEL

4 SCREW ON SECOND SIDE PANEL

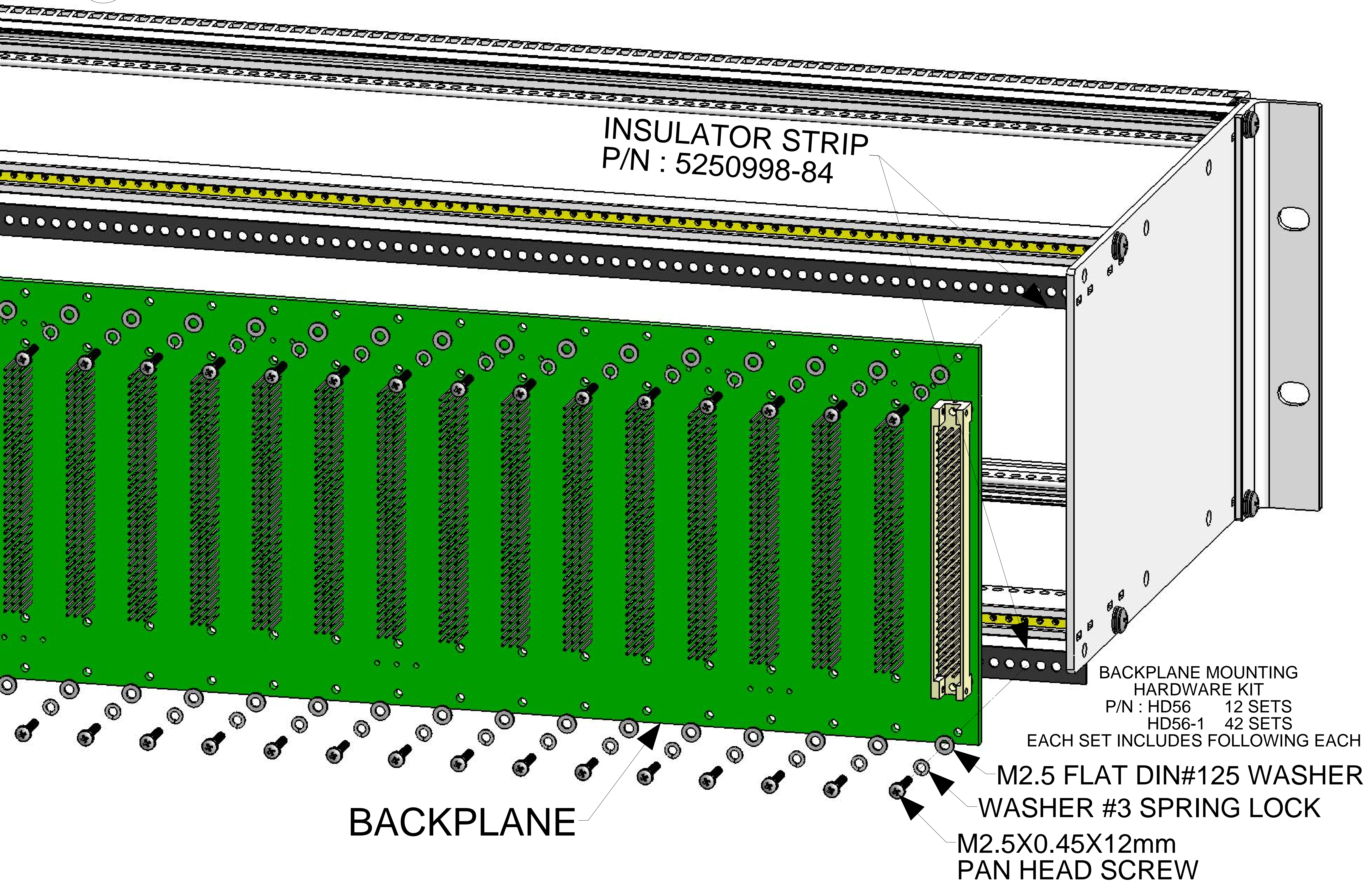
WASHER #8
INTERNAL
TOOTH LOCK

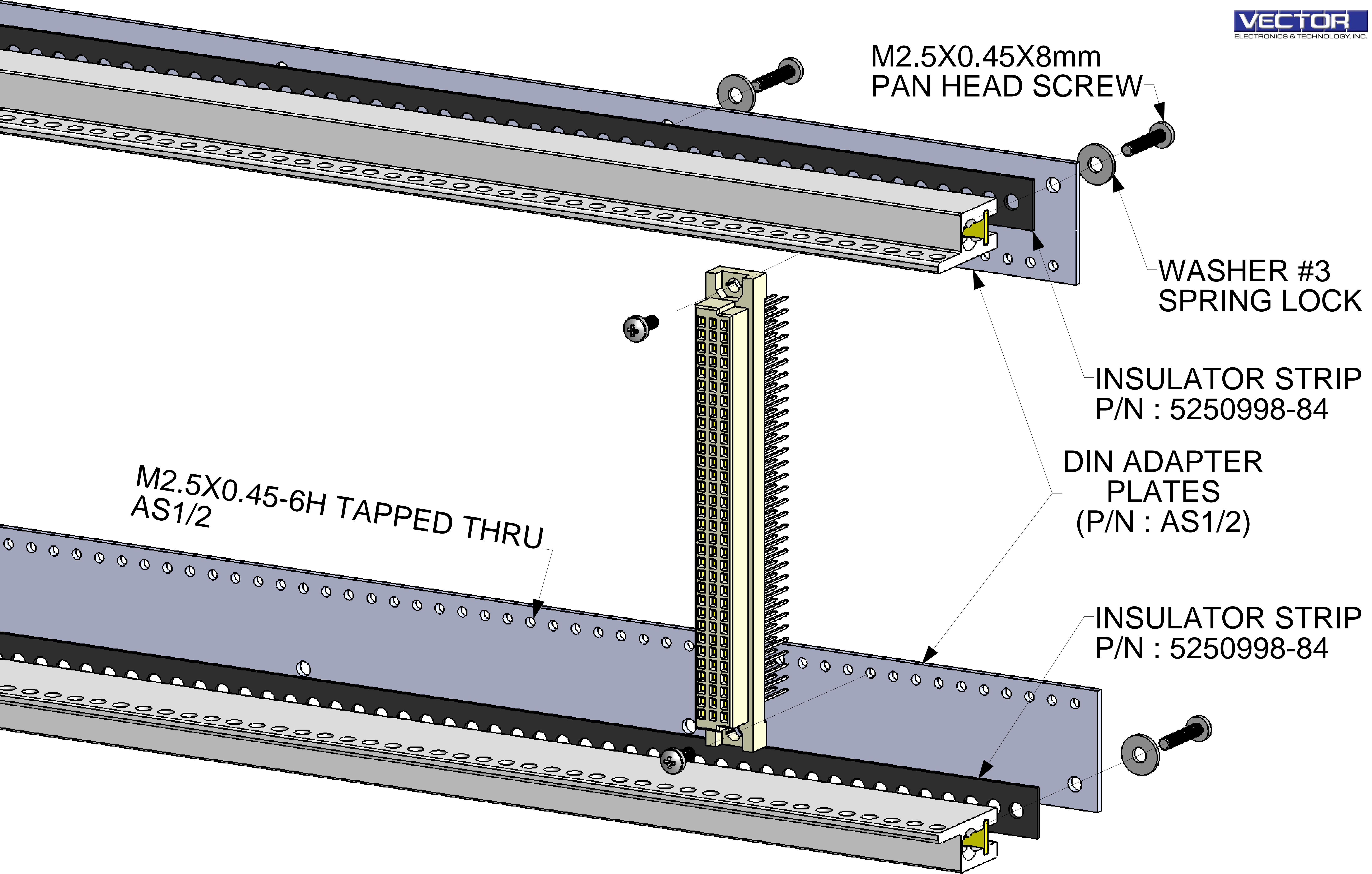
M4X0.7X12mm
PAN HEAD SCREW

TORQUE 6.5-7 IN-LBS



5 INSTALL BACKPLANE

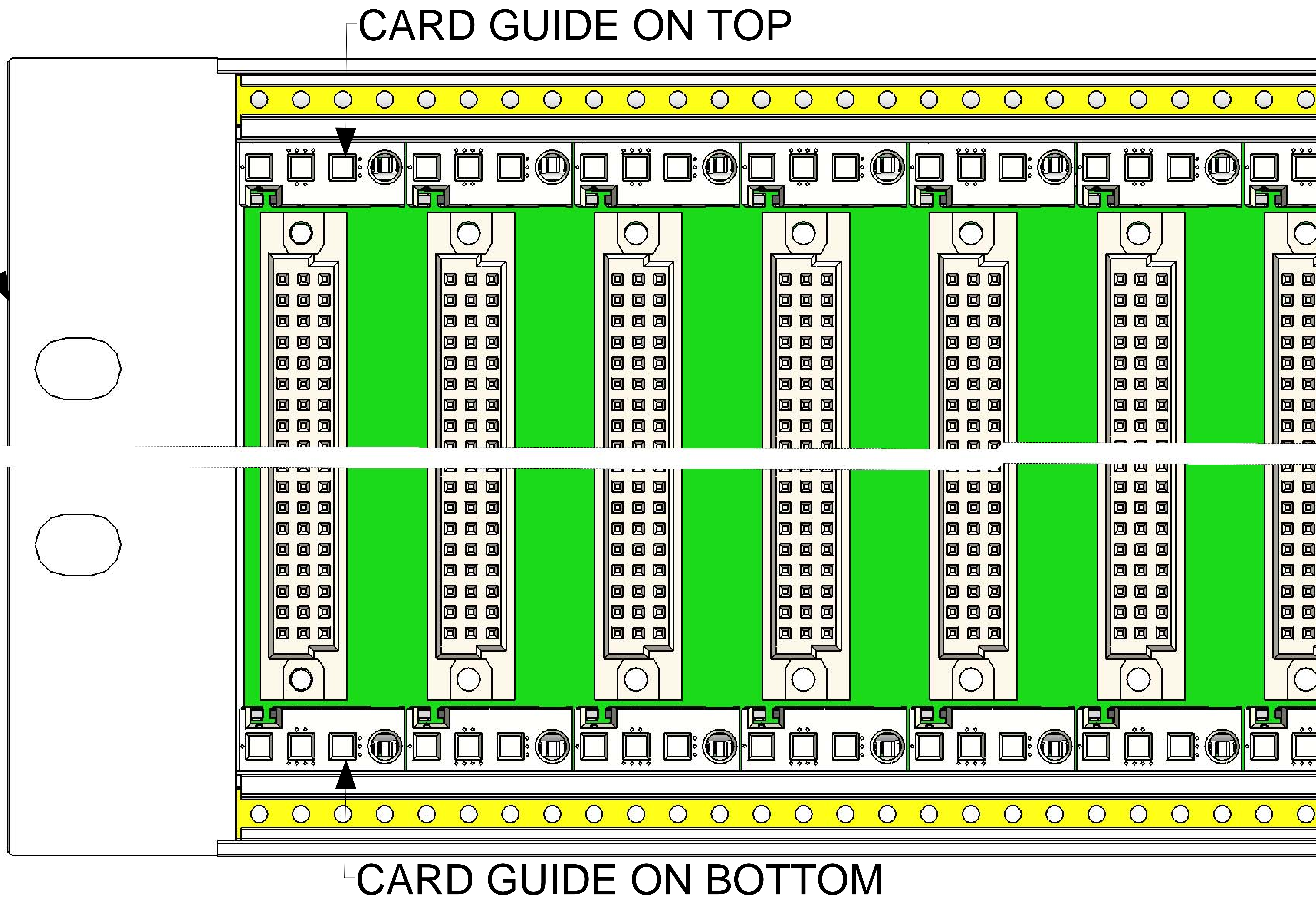




6 DIN ADAPTER STRIP INSTALLATION

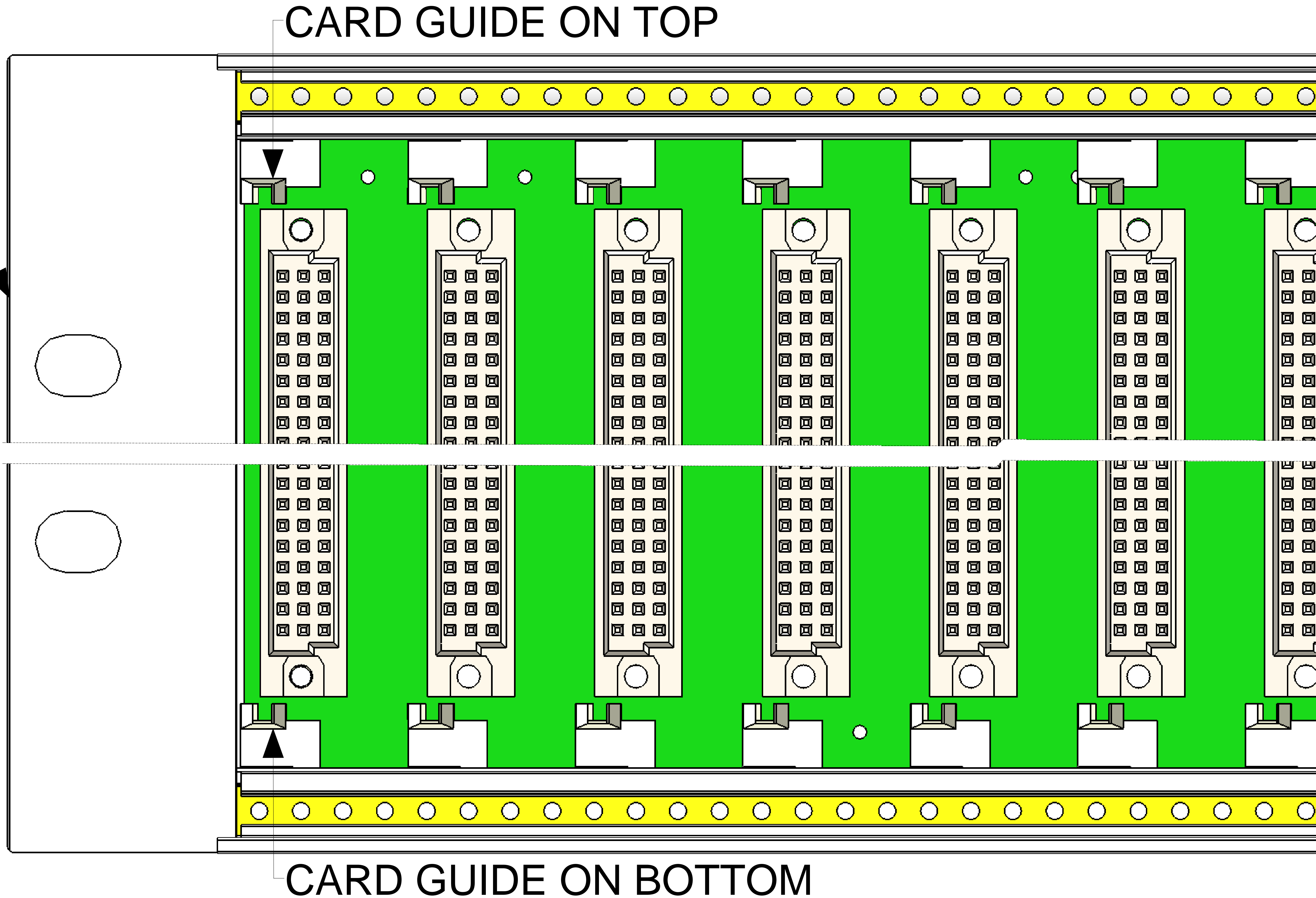
7.1 RELATION OF CARD GUIDE TO CONNECTORS

CG3 SERIES CARD GUIDE
INSTALLATION

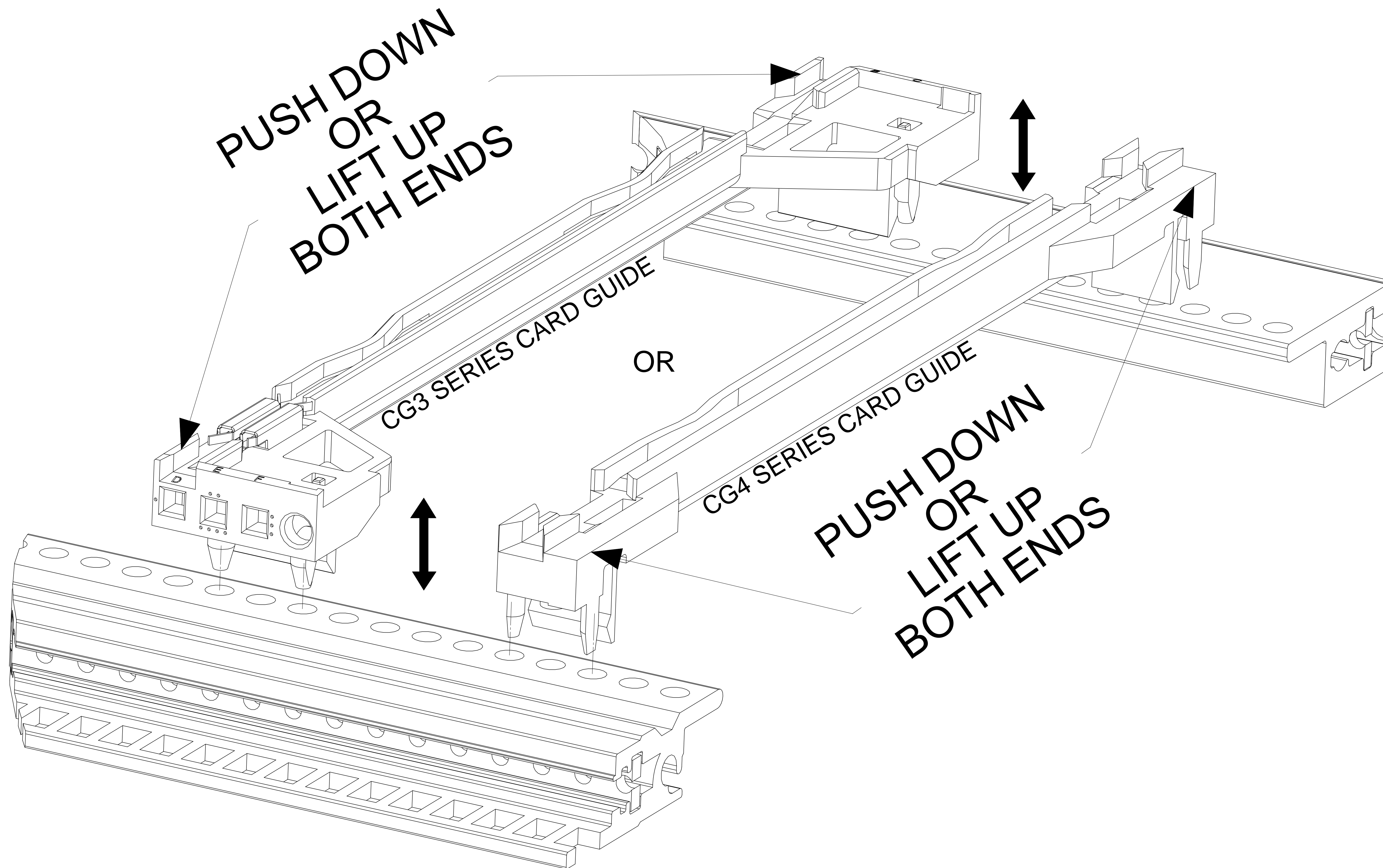


7.2 RELATION OF CARD GUIDE TO CONNECTORS

CG4 SERIES CARD GUIDE
INSTALLATION

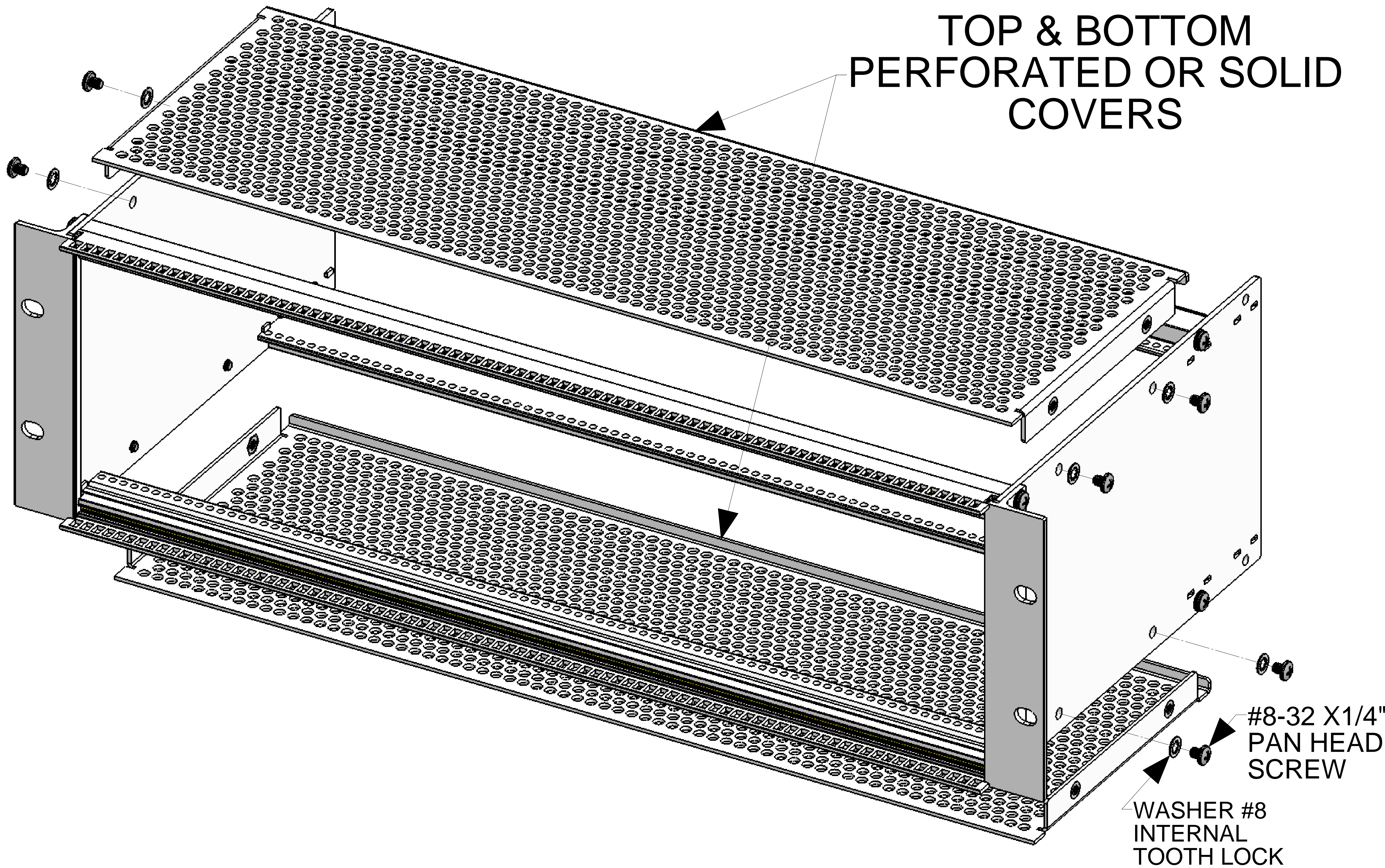


8 CARD GUIDE INSTALLATION & REMOVAL



9 TOP / BOTTOM COVER INSTALLATION

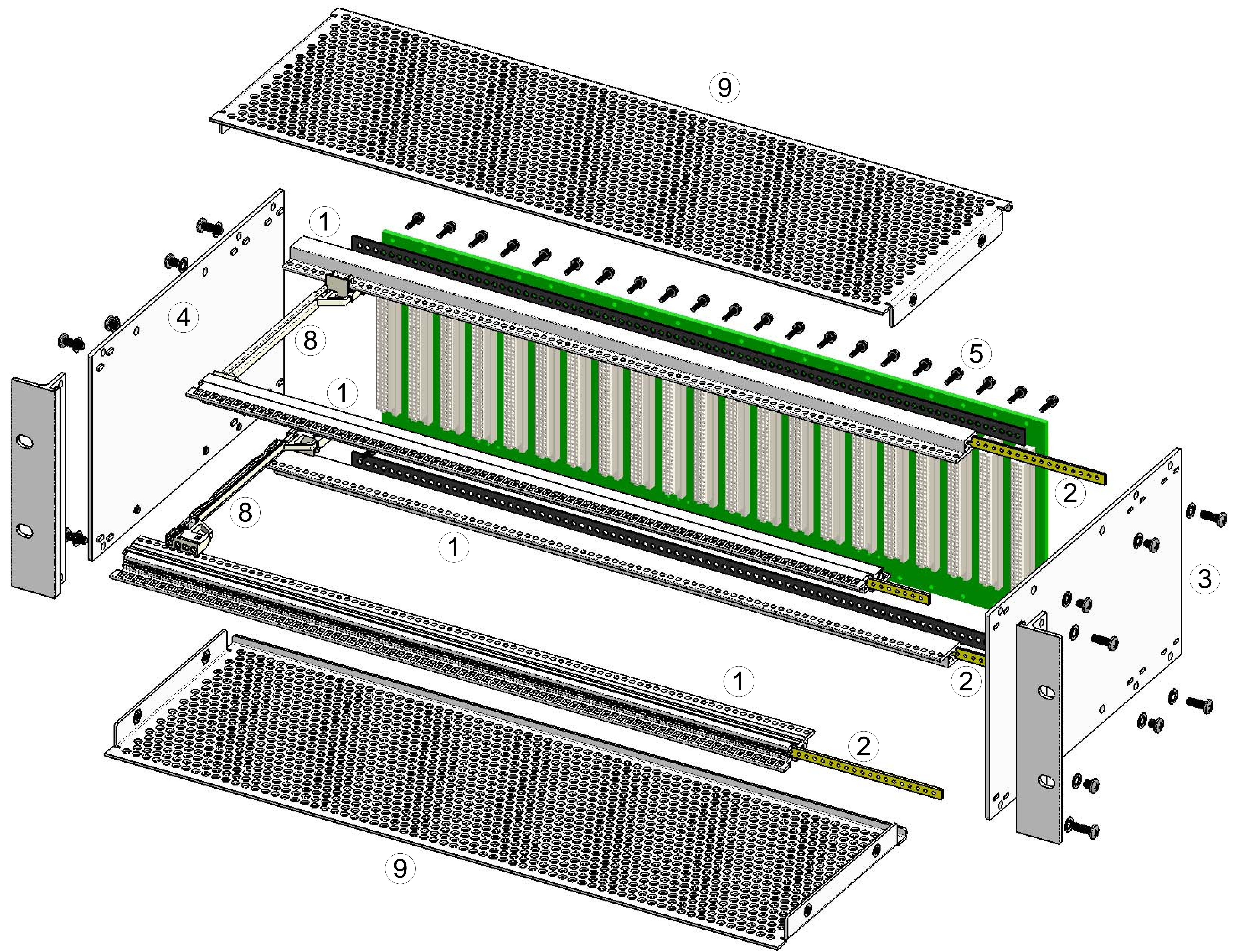
TOP & BOTTOM
PERFORATED OR SOLID
COVERS



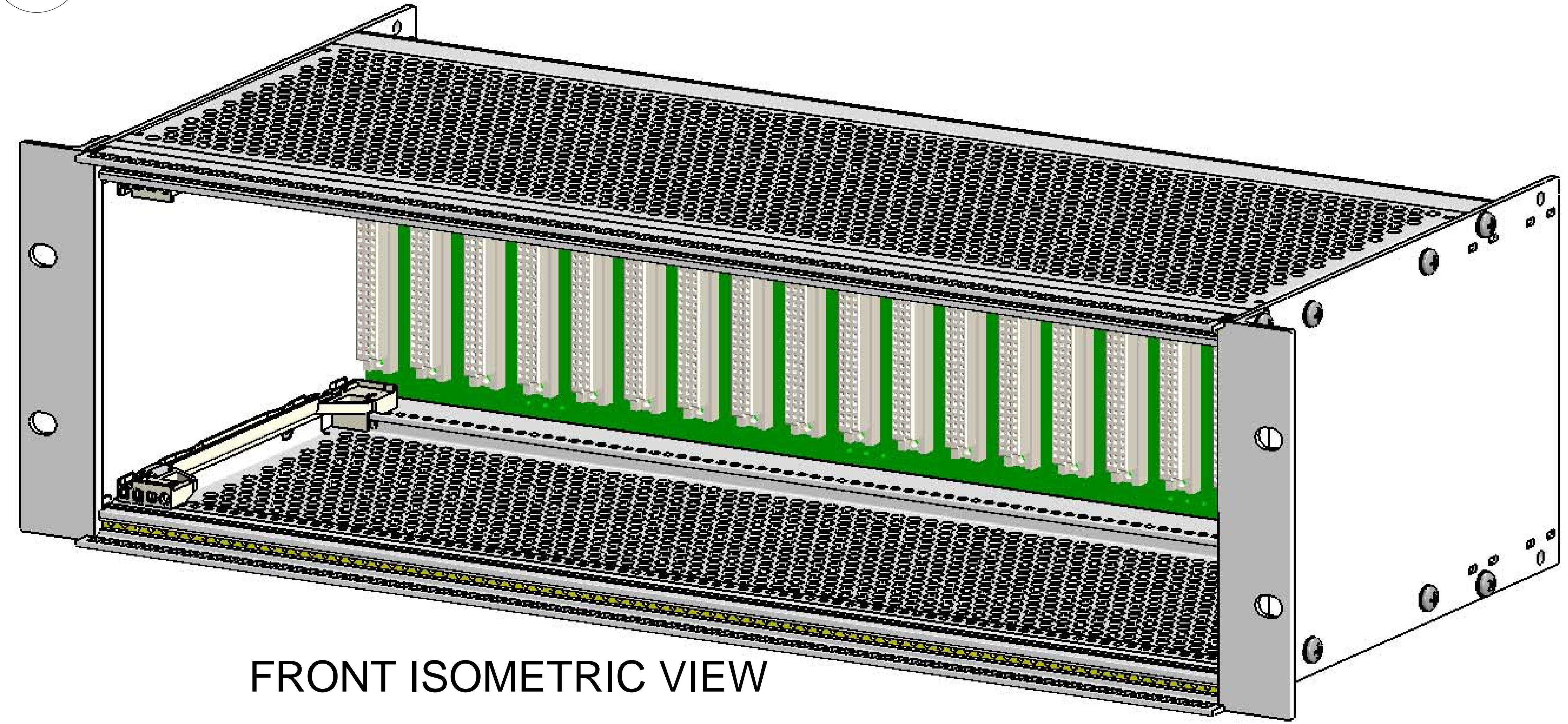
#8-32 X 1/4"
PAN HEAD
SCREW

WASHER #8
INTERNAL
TOOTH LOCK

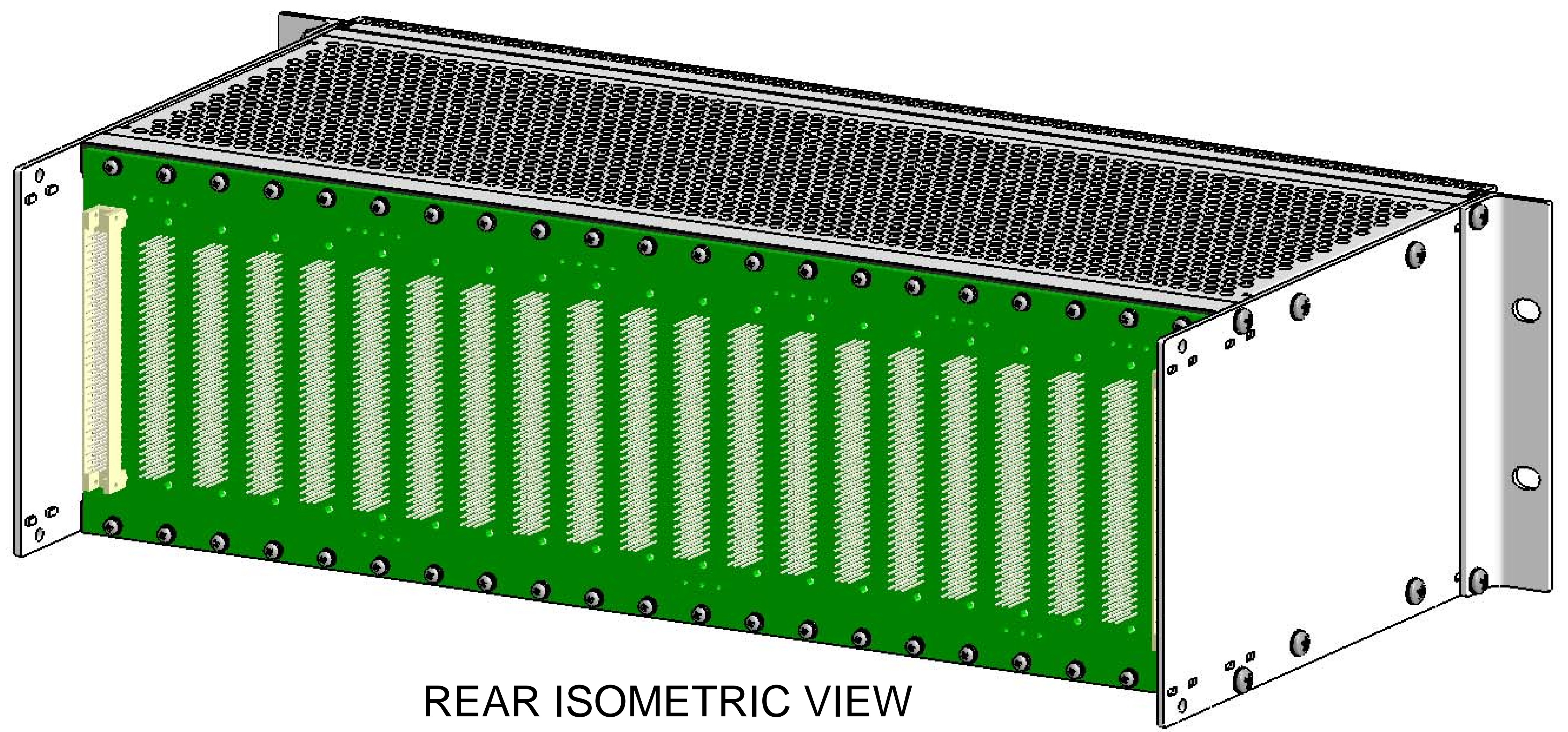
10 EXPLODED VIEW



11 FULLY ASSEMBLED



FRONT ISOMETRIC VIEW



REAR ISOMETRIC VIEW