

Specifications

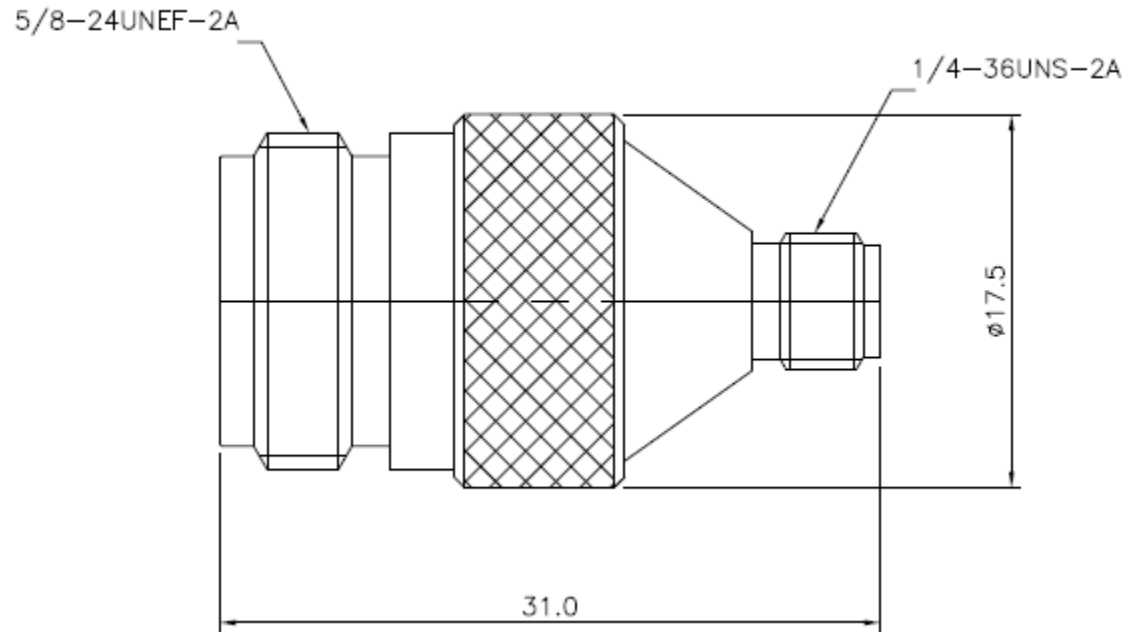
Frequency range: DC-11 GHz

Nominal Impedance: 50 Ohm

VSWR: 1.25:1 max. @ 11 GHz

Oper. Temperature range ; -55-+145°C

RoHS Compliant



Adapter Part

Material

Plating

Body	Brass	Nickel
Center contact	Beryllium Copper	Gold
Insulator	PTFE	N/A



Premier RF
 17 Roslyn CT
 Patchogue, NY 11772
 PH: 631-447-3804
 sales@premier rf.com
 www.premier rf.com

Dimensions in mm	PART NUMBER	PRF-AD1F2F
03/10/2012	DESCRIPTION	SMA FEMALE TO N FEMALE ADAPTER, DC-11 GHz
APPROVED		
C. Smith		