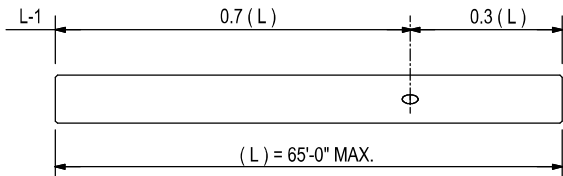
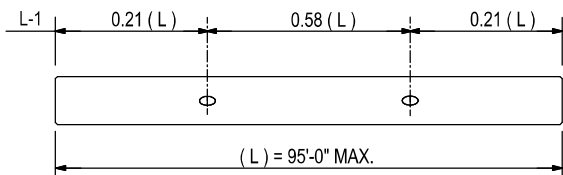


ELEVATION

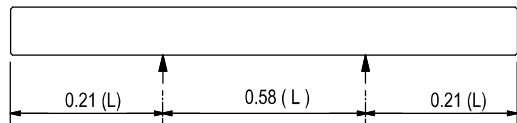


ONE POINT PICK-UP

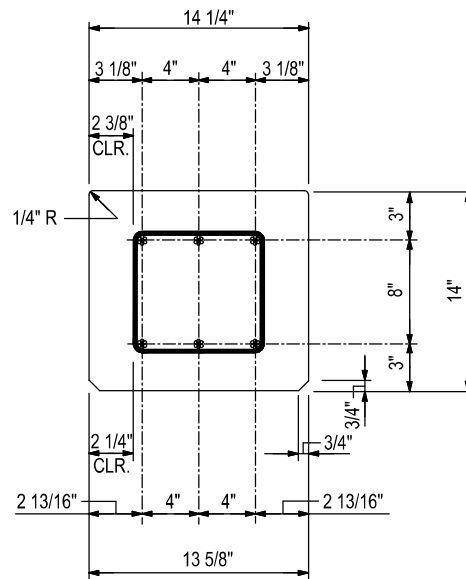


TWO POINT PICK-UP

PICK-UP POINT DIAGRAMS



STORAGE/SHIPPING POINTS



TYPICAL SECTION

CAST IN ITEMS		
MK. NO.	QTY.	DESCRIPTION
L1	2	1/2" STRAND LIFT HOOKS

SECTION PROPERTIES		
AREA (SQ. IN.)	194.9	WT. (LB./LF) 198 PERIM. (FT.) 5.32
MAX. ALLOW. CONCENTRIC SERV. LOAD (COMP.) = 175 TON		
MOMENT OF INERTIA (IN <sup>4</sup> ) = 3,150		

- GENERAL NOTES**
- 1) CONCRETE STRENGTH = 6000 PSI @ 28 DAYS
  - 2) 1/2" DIA. STRAND TO HAVE A MINIMUM ULTIMATE STRENGTH OF 270 KSI AS PER ASTM A416 (A = 0.1531 SQ. IN.)
  - 3) WIRE SPIRAL TO BE W3.4 (5 GAUGE) COLD DRAWN WIRE
  - 4) STRAND TO BE CUT OFF FLUSH WITH PILE ENDS
  - 5) TENSION PER STRAND = 31.0 K
  - 6) TRANSFER OF PRESTRESS FORCE @ 3500 PSI CONCRETE STRENGTH.
  - 7) HANDLING LENGTHS BASED ON INCLUDING 50% IMPACT FACTOR AND MAX. TENSILE STRENGTH =  $6\sqrt{3500}$
  - 8) LIFTING HOOKS ARE FOR MFG. PROCESS ONLY. THEY ARE NOT TO BE USED TO BRING THE PILE UNDER THE HAMMER
  - 9) EXACT PILE CAPACITY SHOULD BE DETERMINED BY A PROFESSIONAL GEOTECHNICAL ENGINEER.
  - 10) PROPER DESIGN & DETAILING OF TENSION OR MOMENT CONNECTION TO PILE CAP IF REQUIRED, IS THE RESPONSIBILITY OF THE ENGINEER OF RECORD.

Prepared By: **RJW Consulting International, Inc.**  
 2518 Catalina Dr. Orlando, FL 32805  
 (407) 493-7573

Prepared For: **HENDERSON PRESTRESSED CONCRETE, INC.**  
 822 ANCLOTE RD.  
 TARPON SPRINGS, FL 34689  
 (727) 938-2828  
 hendersonprestressedconcrete.com

DRAWN: RJW ISSUED (PRELIM.): 08/29/18

CHECKED: ISSUED (PRODUCTION):

Project:

14" 6W IBC PILE			QUANTITY

REV.	DATE	DESCRIPTION	MARK NO.
REVISIONS			
THIS DRAWING IS THE PROPERTY OF HENDERSON PRESTRESSED CONCRETE, INC. (HPC) AND SHALL NOT BE REPRODUCED BY ANY MEANS WITHOUT THE EXPRESSED WRITTEN CONSENT OF HPC			
			DWG. NO.