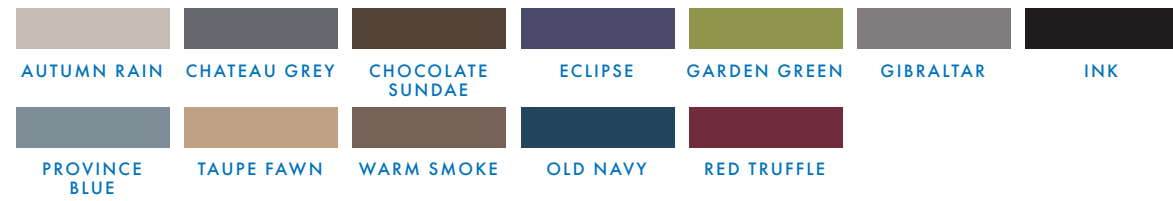


ULTRALEATHER®

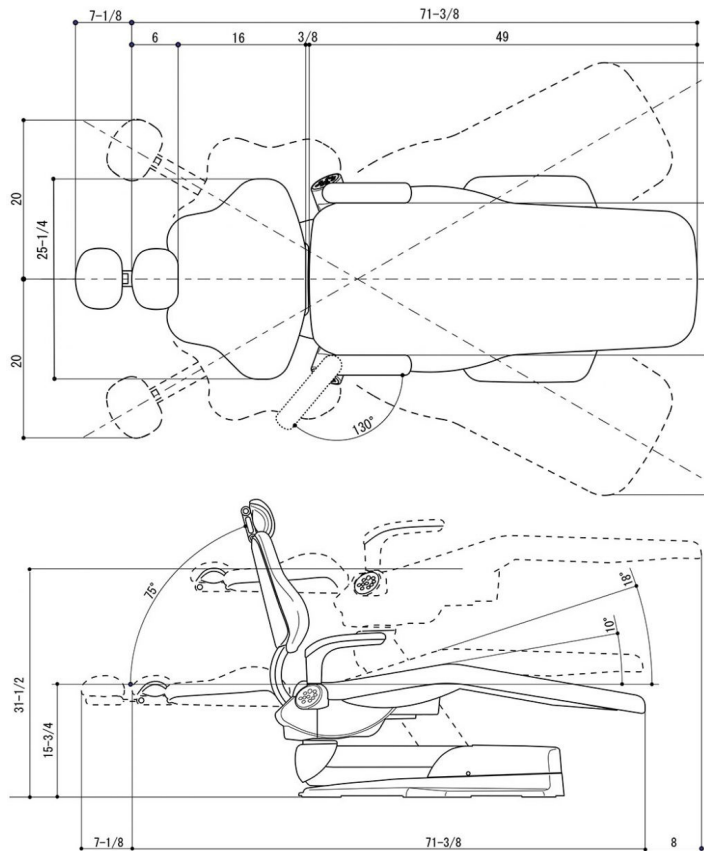


STANDARD VINYL

ALLANTE FREE®

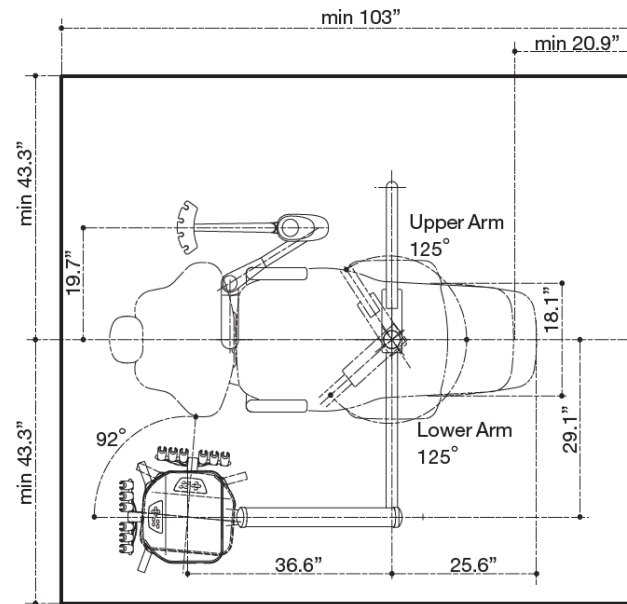


QUOLIS - Q5500



EVOGUE - Q3300

Vac Pac Unit type



Minimum dimension for change to right and left position excluding treatment space.

Height = 83.5~100"

NEW DENTAL CHAIRS

Q5500  
Q3300





### IMPROVE YOUR OWN VIEW

Belmont's newly designed headrest offers a wide range of view of the mouth, while easy positioning enhances your patient's comfort during procedures.



### HEADREST

The new twin-axis headrest system is capable of making a wide range of adjustments using a fraction of the force required in previous models.

### UPHOLSTERY STYLE OPTIONS



SEAMLESS WIDE

PLUSH WIDE

SEAMLESS NARROW

PLUSH NARROW

### QUOLIS - Q5500



### Our Flagship Chair - Exceptional Craftsmanship - Unsurpassed Quality

The Q-5500 chair has a sleek, refined appearance. This sophisticated chair incorporates a seat positioning system that gently glides patients into treatment position. Q5500 chairs are comfortable from the moment your patient is seated. Unrestricted clinical access with unparalleled comfort. The thin and narrow backrest design allows doctors and assistants to work comfortably and efficiently.



FINGERTIP SEAT ROTATION

ROTATING ARMRESTS

INTEGRATED TOUCHPADS

### EVOGUE - Q3300



### Belmont Craftmanship Provides Years of Trouble-free Use

The Q3300 Evogue chair features a fully hydraulic drive system providing years of trouble-free use. New double articulating headrest design that is both user-friendly and more comfortable for the patient.



BACKREST CONTROLS

DUAL AXIS HEADREST