



MIAMI FILTER

MANUFACTURER OF WATER TREATMENT SYSTEMS

WATER TREATMENT TECHNOLOGIES

PRODUCT CATALOG

MIAMI FILTER, INC.
7384 COMMERCIAL CIRCLE
FORT PIERCE, FL 34951
PHONE: 772-466-1440 FAX: 772-466-0364
TOLL FREE: 1-888-642-6482
www.miamifilter.com



MIAMI FILTER

MANUFACTURER OF WATER TREATMENT SYSTEMS

2014 PRODUCT CATALOG INDEX

Product	PAGES
SFV SINGLE TANK UNITS COMPLEST	1-2
SFV DUAL TANK UNIS COMPLET	3
SFV TANK ONLY	4
HH- STEEL HORIZONTAL TANK COMPLETE	5
VCOM- VERTICAL COMPOSITE SINGLE COMPLETE	6
VCOM - VERTICAL COMPOSITE DUAL COMPLETE	7
VCOM - VERCITCAL COMPOSITE TANK ONLY	8
HCOM - HORIZONTAL COMPOSTE COMPLETE	9
HC- HORIZONTAL COMPOSITE	10-13
MULTI - CELL FILTER TANKS	14-15
SKID-MOUNTED COOLING TOWER FILTERS	16
BALANCE TANKS	17-18
PUMPS	19-24
EPOXY LINING	25
DIVERSION VALVES	26-27
BUTTERFLY VALVES	28-29
FLANGED PUMP STRAINERS	30-31
LATERAL KITS	32
PARTS	33-34
FILTER MEDIA	35



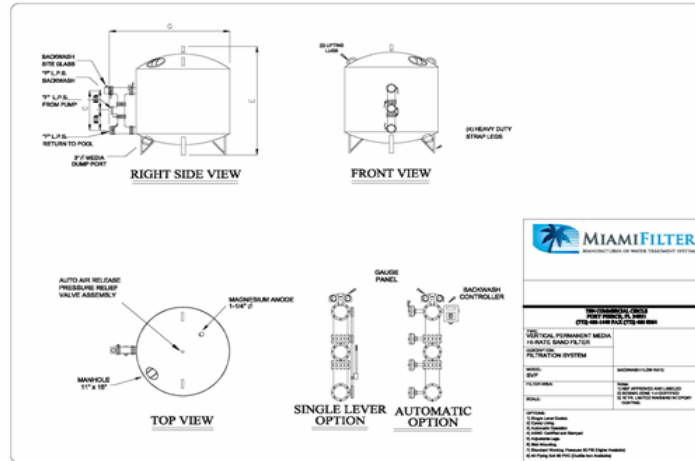
MIAMI FILTER

MANUFACTURER OF WATER TREATMENT SYSTEMS

VERTICAL SAND FILTER 36" THRU 144'

VERTICAL SAND FILTERS 36" THRU 144" DIAMETER

Tank assemblies are complete with overhead distributor, lower collection tubes, gauge panel with 2-60 lb gauges, and face piping with butterfly valves. System listed do not include filter media or pump. Miami Filter's line of commercial filters are also available in grades of stainless steel.



NOTE: Dimensions B, C & G are for P. V. C. face piping. Contact factory for dimensions in cast iron face piping. Optional Single Lever Controls: Any Miami Filter single or dual commercial series filter system may be equipped with a single lever linkage to permit switching valves between filter and backwash positions by moving a single handle. This option limits available system functions to "Filter to Pool", Backwash to Waste", and Vacuum thru Filter

SFV SERIES—SINGLE TANK SYSTEMS									
PHYSICAL DIMENSIONS									
MODEL NUMBER	A	B	C	D	E	F	G	HEAD & SHELL THICKNESS	HEIGHT OF SIDE SHELL
SFV-36	36"	12 3/4"	25 1/2"	4"	70 1/2"	3"	53 3/8"	1/4"	48"
SFV-42	42"	12 3/4"	25 1/2"	4"	71"	3"	59 3/8"	1/4"	48"
SFV-48	48"	14 7/16"	28 7/8"	4"	78"	4"	67"	1/4"	48"
SFV-54	54"	14 7/16"	28 7/8"	4"	75"	4"	79"	1/4"	48"
SFV-60	60"	14 7/16"	28 7/8"	4"	78"	4"	79"	1/4"	48"
SFV-66	66"	14 7/16"	28 7/8"	4"	80"	4"	85"	1/4"	48"
SFV-66	66"	19 1/8"	38 1/4"	4"	80"	6"	90 1/2"	1/4"	48"
SFV-72	72"	19 1/8"	38 1/4"	4"	82"	6"	96 1/4"	1/4"	48"
SFV-78	78"	19 1/8"	38 1/4"	4"	83"	6"	102 1/4"	1/4"	48"
SFV-84	84"	19 1/8"	38 1/4"	4"	84"	6"	108 1/4"	1/4"	48"
SFV-90	90"	19 1/8"	38 1/4"	4"	86"	6"	114 1/4"	1/4"	48"
SFV-96	96"	19 1/8"	38 1/4"	4"	87"	6"	120 1/4"	5/16"	48"
SFV-96	96"	23 3/4"	47 1/2"	4"	98"	8"	125"	5/16"	60"
SFV-102	102"	19 1/8"	38 1/4"	4"	88"	6"	126 1/4"	5/16"	48"
SFV-102	102"	23 3/4"	47 1/2"	4"	100"	8"	131"	5/16"	60"
SFV-108	108"	23 3/4"	47 1/2"	4"	101"	8"	137"	5/16"	60"
SFV-114	114"	23 3/4"	47 1/2"	4"	102"	8"	143"	5/16"	60"
SFV-120	120"	23 3/4"	47 1/2"	4"	104"	8"	149"	5/16"	60"



MIAMI FILTER

MANUFACTURER OF WATER TREATMENT SYSTEMS

DISTRIBUTOR PRICE LIST
COMMERCIAL HI-RATE SAND FILTERS
CARBON STEEL CONSTRUCTION-SINGLE TANKS W/FACE PIPING

ITEM # MODEL #	TANK SIZE	PIPE SIZE	FLOWRATE SQ FT-MAX	TOTAL G.P.M.	APPROX WEIGHT
SFV-36	36"	3"	20	142	770
SFV-42	42"	3"	20	192	920
SFV-48	48"	4"	20	252	1120
SFV-54	54"	4"	20	318	1290
SFV-60	60"	4"	20	392	1465
SFV-66-4	66"	4"	15	355	1640
SFV-66-6	66"	6"	20	474	1700
SFV-72	72"	6"	20	566	1820
SFV-78	78"	6"	20	664	1970
SFV-84	84"	6"	20	770	2240
SFV-90	90"	6"	20	884	2550
SFV-96-6	96"	6"	15	755	2820
SFV-96-8	96"	8"	20	1006	2920
SFV-102-6	102"	6"	15	851	3300
SFV-102-8	102"	8"	20	1134	3600
SFV-108	108"	8"	20	1272	3850
SFV-114	114"	8"	20	1418	4420
SFV-120	120"	8"	20	1570	5220
SFV-144	144"	10"	20	2260	6800

SFV-SERIES SYSTEMS INCLUDE:
FACTORY INSTALLED INTERNAL DISTRIBUTION SYSTEM AND COLLECTION SYSTEM
ALUMINUM GAUGE PANEL WITH (2) 4-1/2" PRESSURE GAUGES
BRONZE MANUAL & AUTOMATIC AIR RELIEF VALVE
SIDE MOUNTED FACE PIPING IN SCH 80 PVC
WITH BUTTERFLY VALVES
ANODE PROTECTION
MEDIA DUMP PORT AND WINTERIZING DRAIN
BACKWASH SIGHT GLASS ASSEMBLY

SYSTEMS DO NOT INCLUDE:

EPOXY LINING (SEE PRICE ADD EXPOXY PAGE)
FILTER MEDIA, PUMP OR PUMP STRAINERS, SINGLE LEVER CONTROL



MIAMI FILTER

MANUFACTURER OF WATER TREATMENT SYSTEMS

DISTRIBUTOR PRICE LIST
COMMERCIAL HI-RATE SAND FILTERS
CARBON STEEL CONSTRUCTION-DUAL TANKS W/FACE PIPING

ITEM # MODEL #	TANK SIZE	PIPE SIZE	FLOWRATE SQ FT-MAX	TOTAL G.P.M.	APPROX WEIGHT
SFV-2-42	42"	4"	20	385	1820
SFV-2-48	48"	6"	20	504	2210
SFV-2-54	54"	6"	20	636	2490
SFV-2-60	60"	6"	20	784	2840
SFV-2-66	66"	6"	20	948	3190
SFV-2-72	72"	8"	20	1132	2520
SFV-2-78	78"	8"	20	1328	2840
SFV-2-84	84"	8"	20	1540	4350
SFV-2-90	90"	8"	20	1768	4970
SFV-2-96	96"	8"	20	2012	5460
SFV-2-102	102"	8"	20	2268	6340
SFV-2-108	108"	8"	20	2544	7440
SFV-2-114	114"	8"	20	2836	8560
SFV-2-120	120"	8"	20	3140	10160

JACKLEGS STANDARD ON ALL DUAL SYSTEMS

SFV-SERIES SYSTEMS INCLUDE:
FACTORY INSTALLED INTERNAL DISTRIBUTION SYSTEM AND COLLECTION SYSTEM
ALUMINUM GAUGE PANEL WITH (2) 4-1/2" PRESSURE GAUGES
BRONZE MANUAL & AUTOMATIC AIR RELIEF VALVE
SIDE MOUNTED FACE PIPING IN SCH 80 PVC
WITH BUTTERFLY VALVES
ANODE PROTECTION
MEDIA DUMP PORT AND WINTERIZING DRAIN
BACKWASH SIGHT GLASS ASSEMBLY

SYSTEMS DO NOT INCLUDE:

EPOXY LINING (SEE PRICE ADD EPOXY PAGE)
FILTER MEDIA, PUMP OR PUMP STRAINERS, SINGLE LEVER CONTROL



MIAMI FILTER

MANUFACTURER OF WATER TREATMENT SYSTEMS

DISTRIBUTOR PRICE LIST
COMMERCIAL HI-RATE SAND FILTERS
CARBON STEEL - INTERNALS ONLY - NO ACCESSORIES - "TANKS ONLY"

ITEM # MODEL #	TANK SIZE	PIPE SIZE	APPROX WEIGHT
SFV-36-3NP	36X48	3"	660
SFV-42-3NP	42X48	3"	810
SFV-48-4NP	48X48	4"	960
SFV-54-4NP	54X48	4"	1130
SFV-60-4NP	60X48	4"	1305
SFV-66-4NP	66X48	4"	1480
SFV-66-6NP	66X48	6"	1500
SFV-72-6NP	72X48	6"	1630
SFV-78-6NP	78X48	6"	1780
SFV-84-6NP	84X84	6"	2020
SFV-90-6NP	90X48	6"	2330
SFV-96-6NP	96X48	6"	2600
SFV-96-8NP	96X60	8"	2700
SFV-102-8N	102X60	8"	3000
SFV-108-8N	108X60	8"	3550
SFV-114-8N	114X60	8"	4100
SFV-120-8N	120X60	8"	4900

SYSTEMS INCLUDE:
FACTORY INSTALLED INTERNAL DISTRIBUTION SYSTEM AND COLLECTION SYSTEM
ANODE PROTECTION
MEDIA DUMP PORT AND WINTERIZING DRAIN

SYSTEMS DO NOT INCLUDE:
EPOXY LINING (SEE PRICE ADD PAGE 44)
FACE PIPING AND ACCESSORIES

NOTE: REPLACEMENT TANKS CAN BE MANUFACTURED TO RETROFIT
ANY INSTALLATION AND ANY STYLE TANK



MIAMI FILTER

MANUFACTURER OF WATER TREATMENT SYSTEMS

DISTRIBUTOR PRICE LIST COMMERCIAL HI-RATE FILTERS

A- DENOTES AUTOMATIC CONTROL

M-DENOTES MANUAL CONTROL

ITEM # MODEL #	NO. OF TANKS	FILTER AREA SQ FT	PIPE SIZE	APPROX WEIGHT	G.P.M. PER SQ. FT. <u>20/15/20</u>
HH3614A	1	13.5	4"	950	135 202 270
HH3614M	1	13.5	4"	850	135 202 270
HH3624A	2	27	4"	1700	270 405 *
HH3624M	2	27	4"	1600	270 405 *
HH3626A	2	27	6"	1740	270 405 540
HH3626M	2	27	6"	1640	270 405 540
HH3636A	3	40.5	6"	2500	405 608 810
HH3636M	3	40.5	6"	2400	405 608 810
HH3638A	3	40.5	8"	2700	405 608 810
HH3638M	3	40.5	8"	2600	405 608 810
HH3646A	4	54	6"	3250	540 810 *
HH3646M	4	54	6"	3150	540 810 *
HH3648A	4	54	8"	3350	540 810 1080
HH3648M	4	54	8"	3250	540 810 1080
HH3656A	5	67.5	6"	4100	675 * *
HH3656M	5	67.5	6"	4000	675 * *
HH3658A	5	67.5	8"	4300	675 1013 1350
HH3658M	5	67.5	8"	4200	675 1013 1350
HH3666A	6	81	6"	4750	810 * *
HH3666M	6	81	6"	4650	810 * *
HH3668A	6	81	8"	4850	810 1215 *
HH3668M	6	81	8"	4750	810 1215 *
HH36610A	6	81	10"	4950	810 1215 1620
HH36610M	6	81	10"	4850	810 1215 1620
HH3678A	7	94.5	8"	5650	945 1418 *
HH3678M	7	94.5	8"	5550	945 1418 *
HH36710A	7	94.5	10"	5700	945 1418 1890
HH36710M	7	94.5	10"	5600	945 1418 1890
HH36810A	8	108	10"	6500	1080 1620 2160
HH36810M	8	108	10"	6550	1080 1620 2160

INCLUDES: INTERIOR & EXTERIOR EPOXY COATING, SCH 80 PVC EXTERIOR PIPING & VALVES, GAUGE PANEL ASSEMBLY WITH GAUGES, AUTO/MANUAL AIR RELIEF VALVES, VICTOLIC CLAMPS FOR PIPING CONNECTIONS TO FILTER, TUBING FOR GAUGE CONNECTIONS.

AUTOMATIC MODELS INCLUDE: PROGRAMABLE CONTROLLER & AIR COMPRESSOR

NOTE: * FLOW NOT RECOMMENDED DUE TO PIPE SIZE



MIAMI FILTER

MANUFACTURER OF WATER TREATMENT SYSTEMS

**DISTRIBUTOR PRICE LIST
COMMERCIAL HI-RATE FILTERS
SINGLE UNITS - WITH FACE PIPING**

COMPOSITE CONSTRUCTION 36" THOUGH 93" IN DIAMETER

ITEM # MODEL #	TANK SIZE	PIPE SIZE	SQ. FT. FILTER AREA	APPROX WEIGHT
VCOM36-3	36"	3"	7.07	376
VCOM42-3	42"	3"	9.32	445
VCOM47-4	47"	4"	12.17	555
VCOM55-4	55"	4"	16.56	640
VCOM63-4	63"	4"	21.63	795
VCOM63-6	63"	6"	21.63	910
VCOM71-6	71"	6"	27.38	1020
VCOM79-6	79"	6"	33.8	1130
VCOM93-6	93"	6"	46.69	1381
VCOM93-8	93"	8"	46.69	1411

DESIGN WORKING PRESSURE IS 50 PSI

SYSTEMS INCLUDE:

GAUGE PANEL, BACKWASH SIGHT GLASS,
AUTOMATIC AND MANUAL AIR BLEED VALVES,
EMERGENCY HIGH PRESSURE RELIEF VALVE
MEDIA DUMP PORT AND WINTERIZING DRAIN
STANDARD EXTERIOR COLOR IS INDUSTRIAL GREY

OZONE RESISTANT LINING AVAILABLE

DUAL LEVER CONTROL AVAILABLE

AUTOMATIC CONTROL AVAILABLE



MIAMI FILTER

MANUFACTURER OF WATER TREATMENT SYSTEMS

**DISTRIBUTOR PRICE LIST
COMMERCIAL HI-RATE FILTERS
DUAL UNITS - WITH MANUAL FACE PIPING
COMPOSITE CONSTRUCTION
42" THOUGH 93" IN DIAMETER**

ITEM # MODEL #	TANK SIZE	PIPE SIZE	APPROX WEIGHT	SQ.FT. FILTER AREA
VCOM2-42	42"	4X3	985	18.64
VCOM2-47	47"	6X4	1054	24.34
VCOM2-55	55"	6X4	1278	33.12
VCOM2-63	63"	6"	1528	43.26
VCOM2-71	71"	8X6	1728	54.76
VCOM2-79	79"	8X6	2165	67.6
VCOM2-93	93"	8"	2580	93.38

DESIGN WORKING PRESSURE IS 50 PSI

SYSTEMS INCLUDE:

GAUGE PANEL, BACKWASH SIGHT GLASS,
AUTOMATIC AND MANUAL AIR BLEED VALVES,
EMERGENCY HIGH PRESSURE RELIEF VALVE
MEDIA DUMP PORT AND WINTERIZING DRAIN
STANDARD EXTERIOR COLOR IS INDUSTRIAL GREY

OZONE RESISTANT LINING AVAILABLE

DUAL LEVER CONTROL AVAILABLE

AUTOMATIC CONTROL AVAILABLE



MIAMI FILTER

MANUFACTURER OF WATER TREATMENT SYSTEMS

**DISTRIBUTOR PRICE LIST
COMMERCIAL HI-RATE FILTERS
SINGLE UNITS - NO FACE PIPING - VERTICALS**

COMPOSITE CONSTRUCTION

ITEM # MODEL #	TANK SIZE	PIPE SIZE	SQ. FT. FILTER AREA
VCOM36-3NP	36"	3"	7.07
VCOM42-3NP	42"	3"	9.32
VCOM47-4NP	47"	4"	12.17
VCOM55-4NP	55"	4"	16.56
VCOM63-4NP	63"	4"	21.63
VCOM63-6NP	63"	6"	21.63
VCOM71-6NP	71"	6"	27.38
VCOM79-6NP	79"	6"	33.8
VCOM93-6NP	93"	6"	46.69
VCOM93-8NP	93"	8"	46.69

DESIGN WORKING PRESSURE IS 50 PSI
OZONE RESISTANT LINING AVAILABLE



MIAMI FILTER

MANUFACTURER OF WATER TREATMENT SYSTEMS

HORIZONTAL COMPOSITE SAND FILTERS SYSTEMS

DISTRIBUTOR PRICE LIST

COMMERCIAL HI-RATE FILTERS

HORIZONTAL COMPOSITE SAND FILTERS

ITEM # MODEL #	NO. OF TANKS	PIPE SIZE	FILTER AREA	GPM/SQ.FT		APPROX WEIGHT
				15	20	
HCOM4214-A	1	4"	21 SQ FT	315	*	700
HCOM4214-M	1	4"	21 SQ FT	315	*	700
HCOM4216-A	1	6"	21 SQ FT	315	420	750
HCOM4216-M	1	6"	21 SQ FT	315	420	750
HCOM4228-A	2	8"	42 SQ FT	630	840	1600
HCOM4228-M	2	8"	42 SQ FT	630	840	1600
HCOM4238-A	3	8"	63 SQ FT	945	*	2400
HCOM4238-M	3	8"	63 SQ FT	945	*	2400
HCOM42310-A	3	10"	63 SQ FT	945	1260	2675
HCOM42310-M	3	10"	63 SQ FT	945	1260	2675
HCOM42410-A	4	10"	84 SQ FT	1260	1680	3570
HCOM42412-A	5	12"	105 SQ FT	1575	2100	5025

LARGER SYSTEMS AVAILABLE - POA

A - DENOTES AUTOMATIC CONTROL (BW100)

M - DENOTES MANUAL CONTROL

CALL WITH REQUIREMENTS

* FLOW NOT RECOMMENDED DUE TO PIPE SIZE



MIAMI FILTER

MANUFACTURER OF WATER TREATMENT SYSTEMS

HORIZONTAL COMPOSITE COMMERCIAL SAND FILTERS 42" DIAMETER

COMPOSITE CONSTRUCTION

NSF CERTIFIED

15 YEAR WARRANTY

OZONE RESISTANT LINING AVAILABLE

AUTOMATIC AIR PURGE INCLUDED

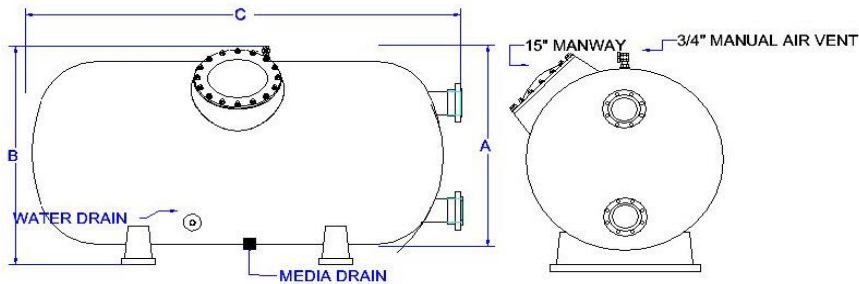
WINTERIZING DRAIN

50 PSI OPERATION / 75 PSI TEST PRESSURE

ITEM # MODEL #	PIPE SIZE	GPM/SQ. F		APPROX WEIGHT LBS
		15	20	
HC42916-A	6"	390	520	850
HC42916-M	6"	390	520	850
HC421066-A	6"	450	600	1000
HC421066-M	6"	450	600	1000
HC421186-A	6"	510	680	1110
HC421186-M	6"	510	680	1110

PRICE INCLUDES SCH 80 PVC PACE PIPING
ABOVE FILTERS CAN BE CONFIGURED AS MULTIPLE
FILTER DESIGNS FOR HIGHER FLOW RATES

Model NUMBER	B	C	GRAVEL	SAND
			1/8"-1/4" LBS	.45 TO.55 mm LBS
HC42916	52"	105"	1280	2200
HC421066	52"	120"	1580	2700
HC421186	52"	132"	1800	3200





MIAMI FILTER

MANUFACTURER OF WATER TREATMENT SYSTEMS

HORIZONTAL COMPOSITE COMMERCIAL SAND FILTERS 48" DIAMETER

COMPOSITE CONSTRUCTION

NSF CERTIFIED

15 YEAR WARRANTY

OZONE RESISTANT LINING AVAILABLE

AUTOMATIC AIR PURGE INCLUDED

WINTERIZING DRAIN

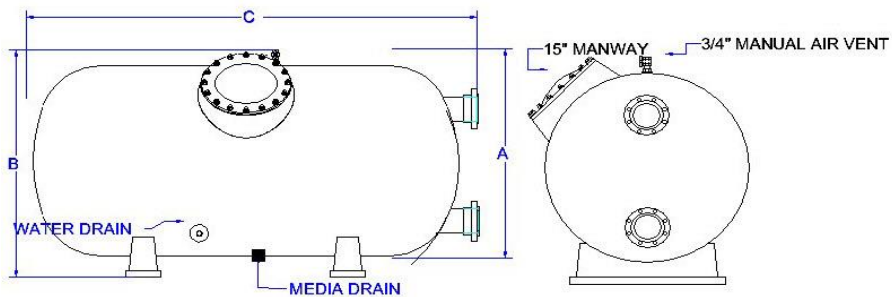
50 PSI OPERATION / 75 PSI TEST PRESSURE

ITEM # MODEL #	FILTER AREA	GPM/SQ. FT		APPROX WEIGHT LBS
		15	20	
HC48756-A	24 SQ FT	360	480	850
HC48756-M	24 SQ FT	360	480	850
HC48916-A	29 SQ FT	435	580	1000
HC48916-M	29 SQ FT	435	580	1000
HC481066-A	34 SQ FT	510	680	1110
HC481066-M	34 SQ FT	510	680	1110
HC481186-A	38 SQ FT	570	760	1270
HC481186-M	38 SQ FT	570	760	1270

PRICE INCLUDES SCH 80 PVC PACE PIPING
ABOVE FILTERS CAN BE CONFIGURED AS MULTIPLE
FILTER DESIGNS FOR HIGHER FLOW RATES

A-DENOTES AUTOMATIC CONTROL
M-DENOTES MANUAL CONTROL

A	B	C	GRAVEL	SAND
			1/8"-1/4" LBS	.45 TO .55 mm LBS
48"	60"	90"	1280	2200
48"	60"	105"	1580	2700
48"	60"	120"	1800	3200
48"	60"	135"	2100	3600





MIAMI FILTER

MANUFACTURER OF WATER TREATMENT SYSTEMS

HORIZONTAL COMPOSITE COMMERCIAL SAND FILTERS 63" DIAMETER

COMPOSITE CONSTRUCTION

NSF CERTIFIED

OZONE RESISTANT LINING AVAILABLE

15 YEAR LIMITED WARRANTY

AUTOMATIC AIR PURGE INCLUDED

WINTERIZING DRAIN

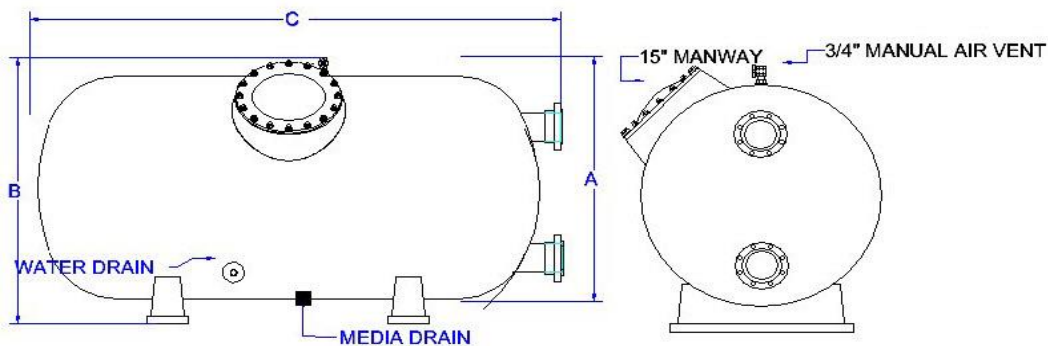
50 PSI OPERATION / 75 PSI TEST PRESSURE

ITEM # MODEL #	PIPE SIZE	FILTER AREA	GPM/SQ. FT		APPROX WEIGHT LBS
			15	20	
HC63756-A	6"	32 SQ FT	480	640	1190
HC63756-M	6"	32 SQ FT	480	640	1190
HC63916-A	6"	37 SQ FT	555	740	1375
HC63916-M	6"	37 SQ FT	555	740	1375
HC631068-A	8"	46 SQ FT	690	920	1580
HC631068-M	8"	46 SQ FT	690	920	1580
HC631188-A	8"	51 SQ FT	765	1020	1800
HC631188-M	8"	51 SQ FT	765	1020	1800

PRICE INCLUDES SCH 80 PVC PACE PIPING
ABOVE FILTERS CAN BE CONFIGURED AS MULTIPLE
FILTER DESIGNS FOR HIGHER FLOW RATES

A-DENOTES AUTOMATIC CONTROL
M-DENOTES MANUAL CONTROL

Model NUMBER	A	B	C	GRAVEL 1/8"-1/4" LBS	SAND .45 TO.55 mm LBS
HC63756	63"	78"	92"	2180	3800
HC63916	63"	78"	105"	2630	4800
HC631068	63"	78"	120"	3080	5400
HC631188	63"	78"	138"	3530	6100





MIAMI FILTER

MANUFACTURER OF WATER TREATMENT SYSTEMS

HORIZONTAL COMPOSITE COMMERCIAL SAND FILTERS 79" DIAMETER

COMPOSITE CONSTRUCTION

NSF CERTIFIED

15 YEAR WARRANTY

OZONE RESISTANT LINING AVAILABLE

AUTOMATIC AIR PURGE INCLUDED

WINTERIZING DRAIN

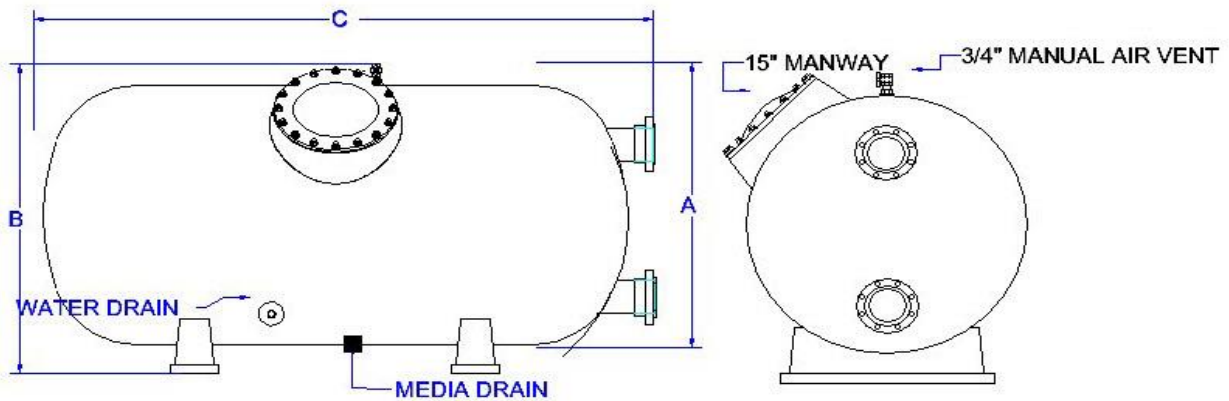
50 PSI OPERATION / 75 PSI TEST PRESSURE

ITEM # MODEL #	PIPE SIZE	FILTER AREA	GPM/SQ. FT		APPROX WEIGHT LBS
			15	20	
HC791008-A	8"	53 SQ FT	795	1060	2100
HC791008-M	8"	54 SQ FT	796	1060	2100
HC791388-A	8"	75 SQ FT	1125	1500	2900
HC791388-M	8"	75 SQ FT	1126	1500	2900

PRICE INCLUDES SCH 80 PVC PACE PIPING
ABOVE FILTERS CAN BE CONFIGURED AS MULTIPLE
FILTER DESIGNS FOR HIGHER FLOW RATES

A-DENOTES AUTOMATIC CONTROL
M-DENOTES MANUAL CONTROL

Model NUMBER	A	B	C	GRAVEL 1/8"-1/4" LBS	SAND .45 TO .55 mm LBS
HC791008	79"	90"	115"	3680	9300
HC791388	79"	90"	160"	5040	12900





MIAMI FILTER

MANUFACTURER OF WATER TREATMENT SYSTEMS

DUALCELL FILTER SYSTEM MANUAL CONTROL

DISTRIBUTOR PRICE LIST COMMERCIAL HI-RATE FILTERS

ITEM # MODEL #	TANK SIZE	PIPE SIZE	APPROX WEIGHT
DCS-42-3	20	19.3	386
DCS-48-4	20	25.2	504
DCS-54-4	20	31.8	636
DCS-60-4	20	39.2	784
DCS-66-4	20	47.4	948
DCS-72-6	20	56.6	1132
DCS-78-6	20	66.4	1328
DCS-84-6	20	77	1540
DCS-90-6	20	88.4	1768
DCS-96-6	20	100.6	2012
DCS-102-8	20	113.4	2268
DCS-108-8	20	127.2	2544
DCS-114-8	20	141.8	2836
DCS-120-8	20	157	3140

STANDARD CONSTRUCTION IS HIGH QUALITY CARBON STEEL

ALL DUAL CELL FILTERS ARE AVAILABLE IN STAINLESS STEEL CONSTRUCTION
CALL FOR PRICING.



MIAMI FILTER

MANUFACTURER OF WATER TREATMENT SYSTEMS

TRIPLE CELL FILTER SYSTEM MANUAL CONTROL

DISTRIBUTOR PRICE LIST COMMERCIAL HI-RATE FILTERS

ITEM # MODEL #	FLOW RATE SQ FT MAX	FILTRATION AREA	TOTAL G.P.M.
TCS-42-3	20	28.8	576
TCS-48-4	20	37.8	756
TCS-54-4	20	47.7	954
TCS-60-4	20	58.8	1176
TCS-66-4	20	71.1	1422
TCS-72-6	20	84.9	1698
TCS-78-6	20	99.6	1992
TCS-84-6	20	115.5	2310
TCS-90-6	20	132.6	2652
TCS-96-6	20	150.9	3018
TCS-102-8	20	170.1	3402
TCS-108-8	20	190.8	3816
TCS-114-8	20	212.7	4254
TCS-120-8	20	235.5	4710

STANDARD CONSTRUCTION IS HIGH QUALITY CARBON STEEL

ALL DUAL CELL FILTERS ARE AVAILABLE IN STAINLESS STEEL CONSTRUCTION
CALL FOR PRICING.



MIAMI FILTER

MANUFACTURER OF WATER TREATMENT SYSTEMS

SKID-MOUNDED COOLING TOWER FILTRATION SYSTEMS CARBON STEEL EPOXY COATED

ITEM # MODEL #	TANK SIZE	PIPE SIZE	GPM/SQ FT	
			15	20
SFV36SP-M	36	3"	107	142
SFV36SP-A	36	3"	107	142
SFV42SP-M	42	3"	144	192
SFV42SP-A	42	3"	144	192
SFV48SP-M	48	4"	189	252
SFV48SP-A	48	4"	189	252
SFV54SP-M	54	4"	238	318
SFV54SP-A	54	4"	238	318
SFV60SP-M	60	4"	294	392
SFV60SP-A	60	4"	294	392
SFV66SP-M	66	4"	355	474
SFV66SP-A	66	4"	355	474
SFV72SP-M	72	6"	424	566
SFV72SP-A	72	6"	424	566
SFV78SP-M	78	6"	498	664
SFV78SP-A	78	6"	498	664
SFV84SP-M	84	6"	577	770
SFV84SP-A	84	6"	577	770
SFV90SP-M	90	6"	663	884
SFV90SP-A	90	6"	663	884
SFV96SP-M	96	8"	754	1006
SFV84SP-A	96	8"	754	1006

CALL FOR QUOTES ON LARGER UNITS

A=AUTOMATIC CONTROLS

M=MANUAL CONTROLS

FILTERS ARE AVAILABLE IN STAINLESS STEEL OR FIBERGLASS

SP SERIES SYSTEMS INCLUDE:

- VERTICAL FILTER, 50 PSIG RATING (100 PSI AVAILABLE)
- END-SUCTION CENTRIFUGAL PUMP
- FACTORY INSTALLED INTERNAL DISTRIBUTION SYSTEM
- ALUMINUM GAUGE PANEL WITH TWO 4-1/2" 0-60 PSI GAUGES
- BACKWASH SIGHT GLASS
- PRESSURE RELIEF AND AIR RELEASE VALVES
- SCHEDULE 80 PVC FACE PIPING
- WAFFER STYLE BUTTERFLY VALVES W/NYLON COATED DISKS
- ANODE PROTECTION
- PUMP WITH STARTER IN NEMA 4X CONTROL BOX
- BACKWASH CONTROLS WITH AUTOMATIC MODLES



MIAMI FILTER

MANUFACTURER OF WATER TREATMENT SYSTEMS

CARBON STEEL-BALANCING TANKS

ITEM # MODEL #	TANK SIZE	SHELL HIGHT	VOLUME (GALS.)
BF-42	42"	60"	415
BF-48	48"	60"	546
BF-54	54"	60"	704
BF-60	60"	60"	885
BF-66	66"	60"	1090
BF-72	72"	60"	1321
BF-78	78"	60"	1498
BF-84	84"	60"	1864
BF-90	90"	60"	2183
BF-96	96"	60"	2515

36' SIGHTGLASS FOR BALANCING TANKS-ADD

48" SIGHGLASS FOR BALANCING TANKS -ADD

CONSTRUCTION DRAWINGS AVAILABLE

ASME COAD TANKS AVAILABLE UPON REQUEST

STAINLESS STEEL TANKS AVAILABLE (CALL FOR PRICING)

ALL TANKS ARE ANODE PROTECTED

WATER LEVEL GAUGE OR DIVERSION VALVE PRICED SEPARATELY UPON REQUEST.

BALANCE TANKS ALSO AVAILABLE IN COMPOSITE/FRP CONSTRUCTION



MIAMI FILTER

MANUFACTURER OF WATER TREATMENT SYSTEMS

COMPOSITE-BALANCING TANKS

ITEM # MODEL #	TANK SIZE	SHELL HIGHT	VOLUME (GALS.)
BC-42	42"	68"	375
BC-47	47"	73"	450
BC-55	55"	74"	555
BC-63	63"	75"	720
BC-71	71"	77"	960
BC-79	79"	84"	1178
BC-93	93"	101"	2033



MIAMI FILTER

MANUFACTURER OF WATER TREATMENT SYSTEMS

SFV SERIES SINGLE - FILTER PUMPS

FILTER MODEL #	GPM	GPM SQ FT	ITEM MODEL#	SIZE	HP
SFV-36	107	15	MFL-102-SF	3.0" X 2.0" FLG	3.0
SFV-42	144	15	MFL-102-SF	3.0" X 2.0" FLG	3.0
SFV-48	189	15	MFL-103-SF	4.0" X 2.5" FLG	5.0
SFV-54	239	15	MFL-103-SF	4.0" X 2.5" FLG	5.0
SFV-60	294	15	MFL-63-SF	4.0" X 4.0" FLG	7.5
SFV-66	355	15	MFL-63-SF	4.0" X 4.0" FLG	10.0
SFV-72	425	15	MFL-63-SF	4.0" X 4.0" FLG	15.0
SFV-78	498	15	MFL-63-SF	4.0" X 4.0" FLG	15.0
SFV-84	578	15	MFL-96-SF	6.0" X 5.0" FLG	20.0
SFV-90	663	15	MFL-96-SF	6.0" X 5.0" FLG	20.0
SFV-96	755	15	MFL-96-SF	6.0" X 5.0" FLG	20.0
SFV-102	851	15	MFL-96-SF	6.0" X 5.0" FLG	20.0
SFV-108	954	15	MFL-96-SF	6.0" X 5.0" FLG	20.0
SFV-114	1037	15	MFL-96-SF	6.0" X 5.0" FLG	25.0
SFV-120	1118	15	MFL-96-SF	6.0" X 5.0" FLG	25.0
SFV-36	142	20	MFL-102-SF	3.0" X 2.0" FLG	3.0
SFV-42	192	20	MFL-103-SF	4.0" X 2.5" FLG	5.0
SFV-48	252	20	MFL-63-SF	4.0" X 2.5" FLG	7.5
SFV-54	318	20	MFL-63-SF	4.0" X 4.0" FLG	10.0
SFV-60	392	20	MFL-63-SF	4.0" X 4.0" FLG	15.0
SFV-66	474	20	MFL-63-SF	4.0" X 4.0" FLG	15.0
SFV-72	566	20	MFL-96-SF	6.0" X 5.0" FLG	15.0
SFV-78	664	20	MFL-96-SF	6.0" X 5.0" FLG	20.0
SFV-84	770	20	MFL-96-SF	6.0" X 5.0" FLG	20.0
SFV-90	884	20	MFL-96-SF	6.0" X 5.0" FLG	20.0
SFV-96	1006	20	MFL-96-SF	6.0" X 5.0" FLG	20.0
SFV-102	1134	20	MFL-96-SF	6.0" X 5.0" FLG	25.0
SFV-108	1272	20	MFL-96-SF	6.0" X 5.0" FLG	25.0
SFV-114	1418	20	MFL-96-SF	6.0" X 5.0" FLG	30.0
SFV-120	1570	20	MFL-97-SF	8.0" X 6.0" FLG	30.0

CONTACT MANUFACTURER FOR PRICING AND AVAILABILITY

NOTE: PUMPS ARE FURNISHED WITH IRON IMPELLERS AND BN-CM MECHANICAL SEALS.

MOTORS ARE 3/60/208-230/460, 1750 RPM, ODP. PUMPS ARE FLOW RATED AT 60 FT. OF HEAD.



MIAMI FILTER

MANUFACTURER OF WATER TREATMENT SYSTEMS

SFV SERIES DUAL - FILTER PUMPS

FILTER MODEL #	GPM	GPM SQ FT	ITEM MODEL#	DIA	HP
SFV-2-48	378	15	MFL-63-SF	8.25"	10.0
SFV-2-54	477	15	MFL-63-SF	8.63"	15.0
SFV-2-60	588	15	MFL-96-SF	8.63"	15.0
SFV-2-66	711	15	MFL-96-SF	8.75"	20.0
SFV-2-72	849	15	MFL-96-SF	8.88"	20.0
SFV-2-78	996	15	MFL-96-SF	9.00"	20.0
SFV-2-84	1150	15	MFL-96-SF	9.25"	25.0
SFV-2-90	1326	15	MFL-96-SF	9.63"	25.0
SFV-2-96	1509	15	MFL-96-SF	8.88"	40.0
SFV-2-102	1701	15	MFL-97-SF	8.88"	40.0
SFV-2-108	1908	15	MFL-97-SF	9.25"	40.0
SFV-2-114	2127	15	MFL-97-SF	9.75"	50.0
SFV-2-120	2335	15	MFL-97-SF	10.50"	50.0
SFV-2-48	504	20	MFL-63-SF	8.75"	15.0
SFV-2-54	636	20	MFL-96-SF	8.63"	15.0
SFV-2-60	784	20	MFL-96-SF	8.88"	20.0
SFV-2-66	984	20	MFL-96-SF	9.00"	20.0
SFV-2-72	1132	20	MFL-96-SF	9.25"	25.0
SFV-2-78	1328	20	MFL-96-SF	9.63"	25.0
SFV-2-84	1540	20	MFL-97-SF	8.88'	40.0
SFV-2-90	1768	20	MFL-97-SF	8.88'	40.0
SFV-2-96	2012	20	MFL-97-SF	8.88'	40.0
SFV-2-102	2268	20	MFL-97-SF	10.25"	50.0
SFV-2-108	2544	20			
SFV-2-114	2836	20			
SFV-2-120	3140	20			

CONTACT MANUFACTURER FOR PRICING AND AVAILABILITY

NOTE: PUMPS ARE FURNISHED WITH IRON IMPELLERS AND BN-CM MECHANICAL SEALS.

MOTORS ARE 3/60/208-230/460, 1750 RPM, ODP. PUMPS ARE FLOW RATED AT 60 FT. OF HEAD.



MIAMI FILTER

MANUFACTURER OF WATER TREATMENT SYSTEMS

HH SERIES-FILTER PUMPS

FILTER MODEL #	GPM	GPM SQ FT	ITEM MODEL#	DIA	HP
HH3614	135	10	MFL-102-SF	7.88"	5.0
HH3614	202	15	MFL-63-SF	7.75"	7.5
HH3614	270	20	MFL-63-SF	7.88"	7.5
HH3624	270	10	MFL-63-SF	7.88"	7.5
HH3624	405	15	MFL-63-SF	8.38"	15.0
HH3626	270	10	MFL-63-SF	7.88"	7.5
HH3626	405	15	MFL-63-SF	8.38"	15.0
HH3626	540	20	MFL-96-SF	8.63"	15.0
HH3636	405	10	MFL-63-SF	8.38"	15.0
HH3636	608	15	MFL-96-SF	8.63"	15.0
HH3636	810	20	MFL-96-SF	8.88"	20.0
HH3638	405	10	MFL-63-SF	8.38"	15.0
HH3638	608	15	MFL-96-SF	8.63"	15.0
HH3638	810	20	MFL-96-SF	8.88"	20.0
HH3646	540	10	MFL-96-SF	8.63"	15.0
HH3646	810	15	MFL-96-SF	8.88"	20.0
HH3648	540	10	MFL-96-SF	8.63"	15.0
HH3648	810	15	MFL-96-SF	8.88"	20.0
HH3648	1080	20	MFL-96-SF	9.13"	20.0
HH3656	675	10	MFL-96-SF	8.63"	15.0
HH3658	675	10	MFL-96-SF	8.63"	15.0
HH3658	1013	15	MFL-96-SF	9.13"	3231.0
HH3658	1350	20	MFL-96-SF	9.63"	3590.0
HH3666	810	10	MFL-96-SF	8.88"	3231.0
HH3668	810	15	MFL-96-SF	8.88"	3231.0
HH3668	1215	20	MFL-96-SF	9.50"	3590.0
HH36610	810	10	MFL-96-SF	8.88"	3231.0
HH36610	1215	15	MFL-96-SF	9.50"	3590.0
HH36610	1620	20	MFL-97-SF	8.88"	40.0
HH3678	945	10	MFL-96-SF	9.00"	20.0
HH3678	1418	15	MFL-96-SF	9.75"	30.0
HH36710	945	10	MFL-96-SF	9.00"	20.0
HH36710	1418	15	MFL-96-SF	9.75"	30.0
HH36710	1890	20	MFL-97-SF	9.13"	40.0
HH36810	1080	10	MFL-96-SF	9.13"	25.0
HH36810	1620	15	MFL-97-SF	8.75"	30.0
HH36810	2160	20	MFL-97-SF	9.88"	50.0

CONTACT MANUFACTURER FOR PRICING AND AVAILABILITY

NOTE: PUMPS ARE FURNISHED WITH IRON IMPELLERS AND BN-CM MECHANICAL SEALS.
 MOTORS ARE 3/60/208-230/460, 1750 RPM, ODP. PUMPS ARE FLOW RATED AT 60 FT. OF HEAD.



MIAMI FILTER

MANUFACTURER OF WATER TREATMENT SYSTEMS

VERTICAL COMPOSITE SAND - SINGLE FILTER PUMPS

FILTER MODEL #	GPM	GPM SQ FT	ITEM MODEL#	DIA	HP
VCOM42	93	10	MFL-102-SF	7.63"	3.0
VCOM47	122	10	MFL-102-SF	7.75"	3.0
VCOM55	166	10	MFL-102-SF	8.00"	5.0
VCOM63	213	10	MFL-63-SF	7.75"	7.5
VCOM71	273	10	MFL-63-SF	7.88"	7.5
VCOM79	338	10	MFL-63-SF	8.13'	10.0
VCOM93	466	10	MFL-63-SF	8.63"	15.0
<hr/>					
VCOM42	139	15	MFL-102-SF	7.88"	5.0
VCOM47	182	15	MFL-103-SF	7.88"	5.0
VCOM55	249	15	MFL-103-SF	8.00"	5.0
VCOM63	325	15	MFL-63-SF	8.00'	10.0
VCOM71	410	15	MFL-63-SF	8.50"	15.0
VCOM79	507	15	MFL-96-SF	8.63"	15.0
VCOM93	699	15	MFL-96-SF	8.75"	20.0
<hr/>					
VCOM42	186	20	MFL-103-SF	7.88"	5.0
VCOM47	244	20	MFL-63-SF	7.75"	7.5
VCOM55	332	20	MFL-63-SF	8.00"	10.0
VCOM63	432	20	MFL-63-SF	8.50"	15.0
VCOM71	546	20	MFL-96-SF	8.63"	15.0
VCOM79	676	20	MFL-96-SF	8.75"	20.0
VCOM93	932	20	MFL-96-SF	9.00"	20.0

CONTACT MANUFACTURER FOR PRICING AND AVAILABILITY

NOTE: PUMPS ARE FURNISHED WITH IRON IMPELLERS AND BN-CM MECHANICAL SEALS.
 MOTORS ARE 3/60/208-230/460, 1750 RPM, ODP. PUMPS ARE FLOW RATED AT 60 FT. OF HEAD.



MIAMI FILTER

MANUFACTURER OF WATER TREATMENT SYSTEMS

VERTICAL COMPOSITE SAND - DUAL FILTER PUMPS

FILTER MODEL #	GPM	GPM SQ FT	ITEM MODEL#	DIA	HP
VCOM2-42	186	10	MFL-103-SF	7.63"	5.0
VCOM2-47	244	10	MFL-63-SF	7.75"	7.5
VCOM2-55	332	10	MFL-63-SF	8.00"	10.0
VCOM2-63	432	10	MFL-63-SF	7.75"	15.0
VCOM2-71	546	10	MFL-96-SF	7.88"	15.0
VCOM2-79	676	10	MFL-96-SF	8.13"	20.0
VCOM2-93	934	10	MFL-96-SF	8.63"	20.0
<hr/>					
VCOM2-42	278	15	MFL-63-SF	7.88"	7.5
VCOM2-47	364	15	MFL-63-SF	7.88"	10.0
VCOM2-55	498	15	MFL-63-SF	8.00"	15.0
VCOM2-63	650	15	MFL-96-SF	8.00"	15.0
VCOM2-71	820	15	MFL-96-SF	8.50"	20.0
VCOM2-79	1014	15	MFL-96-SF	8.63"	20.0
VCOM2-93	1400	15	MFL-96-SF	8.75"	30.0
<hr/>					
VCOM2-42	372	20	MFL-63-SF	7.88"	10.0
VCOM2-47	488	20	MFL-63-SF	7.75"	15.0
VCOM2-55	664	20	MFL-96-SF	8.00"	20.0
VCOM2-63	864	20	MFL-96-SF	8.50"	20.0
VCOM2-71	1092	20	MFL-96-SF	8.63"	25.0
VCOM2-79	1352	20	MFL-96-SF	8.75"	30.0
VCOM2-93	1868	20	MFL-97-SF	9.00"	40.0

CONTACT MANUFACTURER FOR PRICING AND AVAILABILITY

NOTE: PUMPS ARE FURNISHED WITH IRON IMPELLERS AND BN-CM MECHANICAL SEALS.

MOTORS ARE 3/60/208-230/460, 1750 RPM, ODP. PUMPS ARE FLOW RATED AT 60 FT. OF HEAD.



MIAMI FILTER

MANUFACTURER OF WATER TREATMENT SYSTEMS

HORIZONTAL COMPOSITE SAND - FILTER PUMPS

FILTER MODEL #	GPM	GPM SQ FT	ITEM MODEL#	DIA	HP
HCOM4214	315	15	MFL-63-SF	8.00"	10.0
HCOM4216	420	20	MFL-63-SF	8.38"	10.0
HCOM4228	630	15	MFL-96-SF	8.63"	15.0
HCOM4228	840	20	MFL-96-SF	8.88"	20.0
HCOM4238	945	15	MFL-96-SF	9.00"	20.0
HCOM42310	1260	20	MFL-96-SF	9.50'	25.0

CONTACT MANUFACTURER FOR PRICING AND AVAILABILITY

NOTE: PUMPS ARE FURNISHED WITH IRON IMPELLERS AND BN-CM MECHANICAL SEALS.

MOTORS ARE 3/60/208-230/460, 1750 RPM, ODP. PUMPS ARE FLOW RATED AT 60 FT. OF HEAD.



MIAMI FILTER

MANUFACTURER OF WATER TREATMENT SYSTEMS

DISTRIBUTOR COST TO ADD EPOXY LINING ON THE INTERNAL & EXTERNAL
OF FILTER TANKS

SINGLE TANK UNITS

ITEM #	MODEL #
EPX36	SFV -36
EPX42	SFV -42
EPX48	SFV -48
EPX54	SFV -54
EPX60	SFV -60
EPX66	SFV -66
EPX72	SFV -72
EPX78	SFV -78
EPX84	SFV -84
EPX90	SFV -90
EPX96	SFV -96
EPX102	SFV -102
EPX108	SFV -108
EPX114	SFV -114
EPX120	SFV -120

DUAL TANK UNITS

ITEM #	MODEL #
EPX248	SFV-2-48
EPX254	SFV-2-54
EPX260	SFV-2-60
EPX266	SFV-2-66
EPX272	SFV-2-72
EPX278	SFV-2-78
EPX284	SFV-2-84
EPX290	SFV-2-90
EPX296	SFV-2-96
EPX2102	SFV-2-102
EPX2108	SFV-2-108
EPX2114	SFV-2-114
EPX2120	SFV-2-120



MIAMI FILTER

MANUFACTURER OF WATER TREATMENT SYSTEMS

SINGLE OR DUAL LEVER CONTROL LINKAGE OR AUTO CONTROLS TO FILTRATION SYSTEMS

DISTRIBUTOR PRICE LIST

SINGLE LEVER CONTROL ITEM/MODEL #	PIPE SIZE
SLC-3	3"
SLC-4	4"
SLC-6	6"
SLC-8	8"
DUAL LEVER CONTROL ITEM/MODEL#	PIPE SIZE
DLC-3	3"
DLC-4	4"
DLC-6	6"
DLC-8	8"
STANDARD FULLY AUTOMATIC BACKWASH WITH PRESSURE DIFFERENTIAL BACKUP AND DAY TIMER, BW100 CONTROLLER	
ITEM#	PIPE SIZE
ABC-3	3"
ABC- 4	4"
ABC- 6	6"
ABC-8	8"



MIAMI FILTER

MANUFACTURER OF WATER TREATMENT SYSTEMS

45 DEGREE STYLE DIVERSION VALVES

DISTRIBUTOR PRICE LIST

ITEM #	PART#	SIZE
DDV 4	DDV 4	4"
DDV 6	DDV 6	6"
DDV 8	DDV 8	8"
DDV 10	DDV 10	10"
DDV 12	DDV 12	12"

INLINE STYLE DIVERSION VALVES

ILDV 4	ILDV 4	4"
ILDV 6	ILDV 6	6"
ILDV 8	ILDV 8	8"
ILDV 10	ILDV 10	10"
ILDV 12	ILDV 12	12"
ILDV 14	ILDV 14	14"



MIAMI FILTER

MANUFACTURER OF WATER TREATMENT SYSTEMS

PVC BUTTERFLY VALVES

DISTRIBUTOR PRICE LIST

ITEM # MODEL #	PART#	EPDM	SIZE
BVPELO-3	6625		3"
BVPELO-4	6626		4"
BVPELO-6	6628		6"
BVPELO-8	6631		8"
		VITTON	
BVPVLO-3	7370		3"
BVPVLO-4	7371		4"
BVPVLO-6	7373		6"
BVPVLO-8	7374		8"



MIAMI FILTER

MANUFACTURER OF WATER TREATMENT SYSTEMS

BUTTERFLY VALVES

CAST IRON, EPOXY COATED WITH NYLON COATED DISC.

DISTRIBUTOR PRICE LIST

STUB END

ITEM #	SIZE
MODEL #	
BVSE-2	2"
BVSE-2.5	2 1/2"
BVSE-3	3"
BVSE-4	4"
BVSE-5	5"
BVSE-6	6"
BVSE-8	8"
BVSE-10	10"
BVSE-12	12"

LEVER OPERATED

BVLO-2	2"
BVLO-2.5	2 1/2"
BVLO-3	3"
BVLO-4	4"
BVLO-5	5"
BVLO-6	6"
BVLO-8	8"
BVLO-10	10"
BVLO-12	12"

GEAR OPERATED

BVGO-2	2"
BVGO-2.5	2 1/2"
BVGO-3	3"
BVGO-4	4"
BVGO-5	5"
BVGO-6	6"
BVGO-8	8"
BVGO-10	10"
BVGO-12	12"



MIAMI FILTER

MANUFACTURER OF WATER TREATMENT SYSTEMS

AMERICAN MADE-TITAN BRAND

FLANGED PUMP STRAINERS (CLAMP TYPE) CAST IRON

ITEM #	SIZE	SCREEN PERFORATION	WEIGHT (LBS)
BSCI-2	2"	0.0625	26
BSCI-2.5	2 1/2"	0.0625	37
BSCI-3	3"	0.0625	41
BSCI-4	4"	0.125	72
BSCI-5	5"	0.125	111
BSCI-6	6"	0.125	140
BSCI-8	8"	0.125	300
BSCI-10	10"	0.125	430
BSCI-12	12"	0.125	738
BSCI-14	14"	0.125	1150
BSCI-16	16"	0.125	1450
SBCI-2	2"	0.0625	
SBCI-2.5	2 1/2"	0.0625	
SBCI-3	3"	0.0625	
SBCI-4	4"	0.125	
SBCI-5	5"	0.125	
SBCI-6	6"	0.125	
SBCI-8	8"	0.125	
SBCI-10	10"	0.125	
SBCI-12	12"	0.125	
SBCI-14	14"	0.125	



MIAMI FILTER

MANUFACTURER OF WATER TREATMENT SYSTEMS

**FIBERGLASS - FLANGED PUMP STRAINERS
CLEAR COVERS - STAINLESS STEEL BASKETS**

ITEM #	SIZE	SCREEN PERFORATION	WEIGHT (LBS)
BSFG-3	3	0.125	31.5
BSFG-4	4"	0.125	56.4
BSFG-5	5"	0.125	75.6
BSFG-6	6"	0.125	75.6
BSFG-8	8"	0.125	130
BSFG-10	10"	0.125	176
BSFG-12	12"	0.125	236
BSFG-14	14"	0.125	320
BSFG-16	16"	0.125	450

FLANGED FIBERGLASS PUMP STRAINERS REPLACEMENT BASKETS

SBFG-S3-PVC	3"	0.125
SBFG-S4-PVC	4"	0.125
SBFG-S5-PVC	5"	0.125
SBFG-S6-PVC	6"	0.125
SBFG-S8-PVC	8"	0.125
SBFG-S10-PVC	10"	0.125
SBFG-S12-PVC	12"	0.125
SBFG-S14-PVC	14"	0.125

STAINLESS

SBFG-S3-SS	3"	0.125
SBFG-S4-SS	4"	0.125
SBFG-S5-SS	5"	0.125
SBFG-S6-SS	6"	0.125
SBFG-S8-SS	8"	0.125
SBFG-S10-SS	10"	0.125
SBFG-S12-SS	12"	0.125
SBFG-S14-SS	14"	0.125



MIAMI FILTER

MANUFACTURER OF WATER TREATMENT SYSTEMS

UNDERDRAIN HEADER

ITEM #	SIZE
UDH-4	4"
UDH-6	6"
UDH-8	8"
OVERDRAINS	
ODH-4	4"
ODH-6	6"
ODH-8	8"

REPLACEMENT LATERAL KITS FOR HI RATE SAND FILTERS

ITEM#	MODEL #	TANK DIAMETER
RLK-30	SFV 30	30"
RLK-36	SFV 36	36"
RLK-42	SFV 42	42"
RLK-48	SFV 48	48"
RLK-54	SFV 54	54"
RLK-60	SFV 60	60"
RLK-66	SFV 66	66"
RLK-72	SFV 72	72"
RLK-78	SFV 78	78"
RLK-84	SFV 84	84"
RLK-90	SFV 90	90"
RLK-96	SFV 96	96"
RLK-102	SFV 102	102"
RLK-108	SFV 108	108"
RLK-114	SFV 114	114"
RLK-120	SFV 120	120"
RLK-144	SFV 144	144"
RLK-36	HH 36	

LATERALS ARE CAPPED 1-1/4 INCH SCH 40 WITH THREADED MOUNTING ADAPTERS INCLUDED. LARGER DIAMETERS, SCH 80 PVC AND POLYPROPYLENE AVAILABLE.

LATERAL KITS INCLUDE APPROPRIATE QUANTITIES OF PRECISE LENGTH LATERALS FOR SFV AND HH MODELS LISTED ABOVE. FOR ALL OTHER MODELS CALL FOR PRICING KITS CAN BE CONSTRUCTED FOR ANY FILTER, REGARDLESS OF ORIGINAL MANUFACTURER.

SCH 80 PIPE-COLLECTION HEADERS AVAILABLE



MIAMI FILTER

MANUFACTURER OF WATER TREATMENT SYSTEMS

FILTER ACCESSORIES

DISTRIBUTOR PRICE LIST

ITEM #	PART
PG-4	4-1/2" PRESSURE GAUGE
GPC-1	INFLUENT & EFFLUENT GAUGE PANEL W/TWO 4-1/2" 0-60 GAUGES INCLUDING ALL TUBING & CONNECTORS FOR HOOK-UP
BWSG-1	1-1/2" BACKWASH SIGHT GLASS
ARV-B1	1/4" BRASS AUTOMATIC AIR RELIEF(FV-4MI) VENT WITH 1/4" X 3/4" BUSHING
MHA-1	11X15 DOMED MANHOLE ASSEMBLY /TWO YOKE BOLTS, NUTS, GASKET
MHG-2	GASKET FOR 11X15 MANHOLE ASSEMBLY
MHG-3	GASKET FOR 12 X 16 MANHOLE ASSEMBLY
MHG-4	GASKET FOR 14 X 18 MANHOLE ASSEMBLY
AND-8T	SACRIFICIAL ANODE-HH MODELS (THREADED)
AND-8C	SACRIFICIAL ANODE-HH MODELS (CLAMPED)
AND-24T	SACRIFICIAL ANODE-SFV MODELS (THREADED)
AND-24C	SACRIFICIAL ANODE-SFV MODELS (CLAMPED)
PRV-75	75LB. EMERGENCY PRESSURE RELIEF VALVE 3/4"
JL-1	REPLACEMENT JACK LEG (SFV 36 THRU SFV 78)
JL-2	REPLACEMENT JACK LEG (SFV 84 THRU SFV 120)
WLG-36	WATER LEVEL GAUGE 36"
WLG-48	WATER LEVEL GAUGE 48"
MHG-4A	16" MANWAY GASKET - VCOM
MHG-4P	16" MANWAY GASKET - VCOM
ARV/PRV	ARV/ASSEMBLY
FGG-1	FOOD GRADE GREASE
ARV-P1	3/4" PLASTIC AIR/VACUUM RELEASE VALVE
24-GSRT	24" MANWAY GASKET
MHG-3	20" MANWAY GASKET
SSFB-8	8-1/2" STAINLESS STEEL FLOAT BALL
TEEFFG-6	6" TEE FLANGED
FLGAS-6	6" FLANGE GASKET
TUB-1/4	1/4" TUBING (PER FOOT)
TUB-ADP	1/4" STRAIGHT TUBE ADAPTER
SOL-VAL	SOLENOID VALVE
SFM-1	SIGNET FLOW METER
SF10	SIGNET F10
LAT-22	LATERALS FOR HH 13" LONG
LATS-22	LATERALS SET OF 22 FOR HH 13" LONG



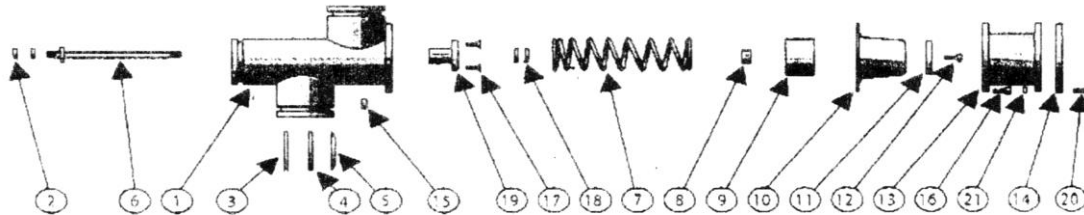
MIAMI FILTER

MANUFACTURER OF WATER TREATMENT SYSTEMS

DISTRIBUTOR PRICE LIST BACKWASH VALVE PARTS LIST

PART # ITEM # PART

Backwash Valves



BWV-C		BACKWASH VALVE ASSEMBLY
BWV-1-5	1	5" VALVE BODY
BWV-1-4	1	4" VALVE BODY
BWV-1-212	1	2 1/2" VALVE BODY
BWV-1-212	1	2" VALVE BODY
BWV-2	2	1/2" NYLOCK HEX NUT-STAINLESS STEEL
BWV-3-4	3	BACKUP WASHER 4" & 5"
BWV-3-212	3	BACKUP WASHER 2 1/2"
BWV-3-212	3	BACKUP WASHER 2 1/2"
BWV-4-4	4	PLUNGER SEAL 4" & 5"
BWV-4-212	4	PLUNGER SEAL 2 1/2"
BWV-4-212	4	PLUNGER SEAL 2"
BWV-5-4	5	GUIDE WASHER 4" & 5"
BWV-5-212	5	GUIDE WASHER 2 1/2"
BWV-5-212	5	GUIDE WASHER 2"
BWV-6-212-4-5	6	OPERATING STEM 2 1/2" & 4" & 5"
BWV-6-2	6	OPERATING STEM 2"
BWV-7-212-4-5	7	ACTUATOR SPRING 2 1/2" & 4" & 5"
BWV-7-2	7	ACTUATOR SPRING 2"
BWV-8	8	JAM NUT
BWV-9-212-4-5	9	ACTUATOR PISTON 2 1/2" & 4" & 5"
BWV-9-2	9	ACTUATOR PISTON 2"
BWV-10-212-4-5	10	ROLLING DIAPHRAGM 2 1/2" & 4" & 5"
BWV-10-2	10	ROLLING DIAPHRAGM 2"
BWV-11-212-4-5	11	DIAPHRAGM CAP 2 1/2" & 4" & 5"
BWV-11-2	11	DIAPHRAGM CAP 2"
BWV-12	12	STAINLESS STEEL HEX BOLT
BWV-13	13	ACTUATOR BODY 2 1/2" & 4" & 5"
BWV-14-212-4-5	14	ACTUATOR END PLATE 2 1/2" & 4" & 5"
BWV-14-2	14	ACTUATOR END PLATE 2"
BWV-15-212-4-5	15	STAINLESS STEEL HEX NUT 2 1/2" & 4" & 5"
BWV-16-212-4-5	16	STAINLESS STEEL HEX BOLT 2 1/2" & 4" & 5"
BWV-17	17	CAP SCREW
BWV-18	18	#112 O-RING
BWV-19	19	STEM GUIDE BUSHING & O-RINGS
BWV-20-4	20	HEX BOLT 4"
BWV-20-212-5	20	HEX BOLT 2 1/2" & 5"
BWV-20-2	20	HEX BOLT 2"
BWV-21	21	HEX NUT 4"



MIAMI FILTER

MANUFACTURER OF WATER TREATMENT SYSTEMS

DISTRIBUTOR PRICE LIST

FILTER MEDIA

ITEM #	DISCRIPTION
	FILTER SAND 100LBS BAGS
FS-2030	20-30 (.045mm to 0.55mm)
FS-3040	30-40
FS6.0	30-40
	FILTER GRAVEL 50LB BAGS
FG-50	1/8 X 1/4
	FILTER GRAVEL
FG-100	1/8 X 1/4

CONTACT MANUFACTURER FOR CURRENT PRICING AND AVAILABILITY