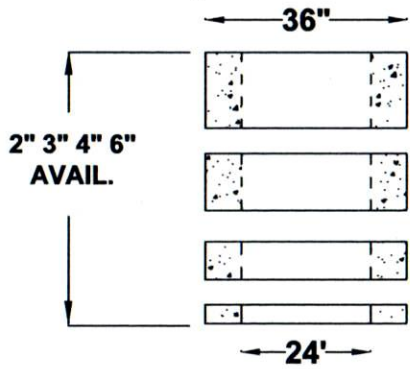
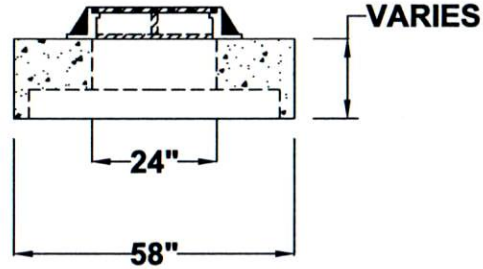


**GRADE RINGS
(PRECAST CONCRETE)**



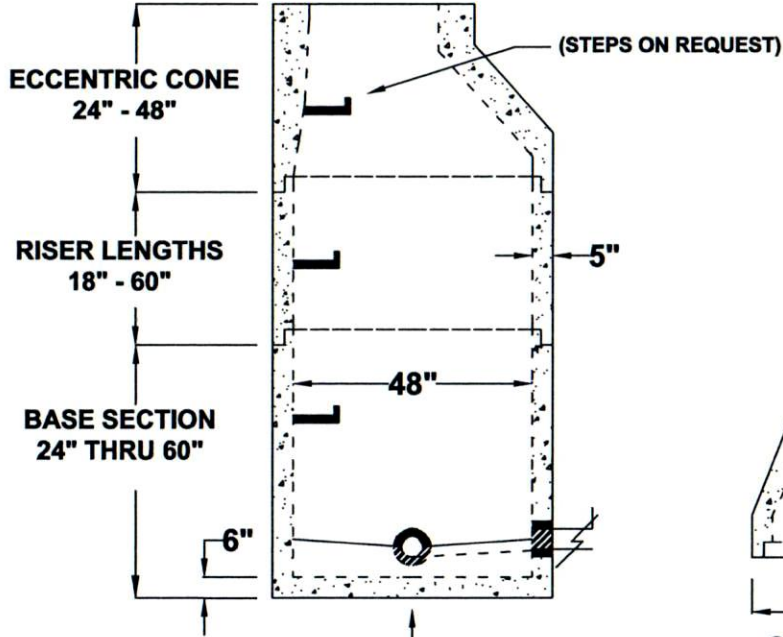
**FLAT TOP
(USED IN PLACE OF CONE)**



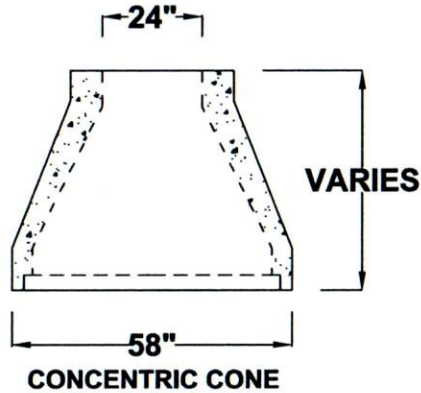
**ECCENTRIC CONE
24" - 48"**

**RISER LENGTHS
18" - 60"**

**BASE SECTION
24" THRU 60"**



**PRECAST BASE WITH
MONOLITHICALLY CAST FLOOR**



GROVE CONCRETE & SUPPLY, INC.
18426 DURAND AVENUE P.O. BOX 363
UNION GROVE, WISCONSIN 53182
(262) 878-2030 FAX (262) 878-4222
GroveConcrete.com

NOTES:

1. REINFORCED CONCRETE 4,000 PSI MIN.
2. MEETS ASTM C478 SPECS.
3. CONES AVAIL. ECCENTRIC OR CONCENTRIC.
4. ADDITIONAL MANHOLE SIZES AVAIL.
5. CORING AVAILABLE.

48" DIA. ID MANHOLE

**FOR ANY MODIFICATIONS CALL
GROVE CONCRETE**

DRAWN BY: RAY

DATE: 12/20/13

SCALE:

NTS

VERSION:

00001

DWG. #

48-MANHOLE

ILL. TYPE A

THIS DRAWING AND THE INFORMATION CONTAINED HEREON IS THE EXCLUSIVE PROPERTY OF GROVE CONCRETE & SUPPLY, INC., AND SHALL NOT BE REPRODUCED, USED, OR DISCLOSED TO OTHERS EXCEPT AS AUTHORIZED THROUGH WRITTEN CONCENT FROM GROVE CONCRETE & SUPPLY, INC.