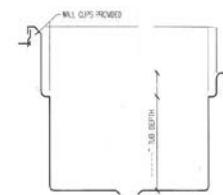
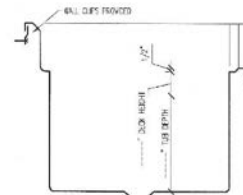
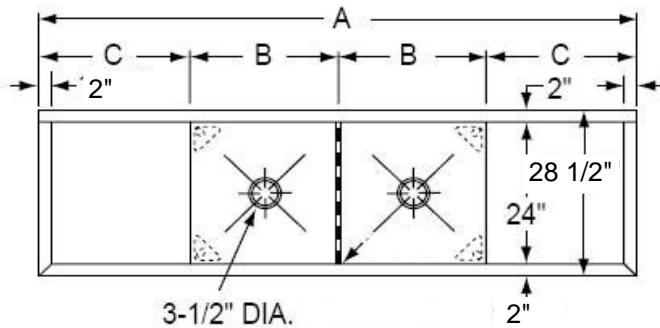


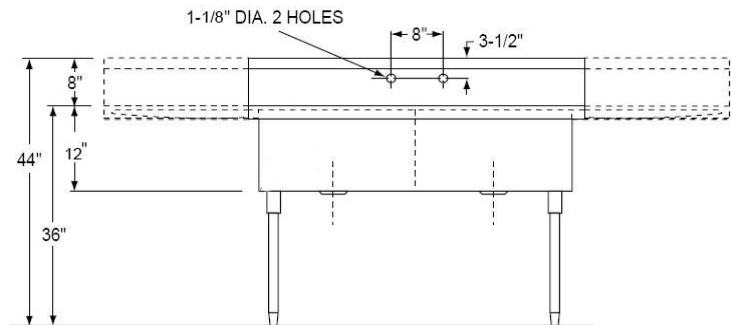
WICKETTS STAINLESS

SPECIFICATION

Commercial Sink Heavy Duty
Two Compartments
Double Drain Board



Model Number	A	B	C
WCS 4215-LR	63	15	15
WCS 4230-LR	75	18	18
WCS 4224-LR	99	24	24
WCS 4230-LR	111	30	24
WCS 4236-LR	123	36	24
WCS Custom			



Engineering Specification:

14 gauge, type 304 stainless steel scullery sink. 12" deep construction. Full length 8" high backsplash with 45° sloped top. Rolled or marine edge. Exposed surfaces polished to a satin finish. Supported on (4) stainless steel, 1-5/8" O.D. tubular legs, Adjustable bullet feet.

Wicketts Stainless, LLC.
2618 San Miguel Dr. Bldg. # 376
Newport Beach, CA 92660
Tel: 951-858-2548
Fax: 951-638-9059
sales@wickettsstainless.com
www.wickettsstainless.com



Approved for Manufacturing

Company: _____

Signature: _____