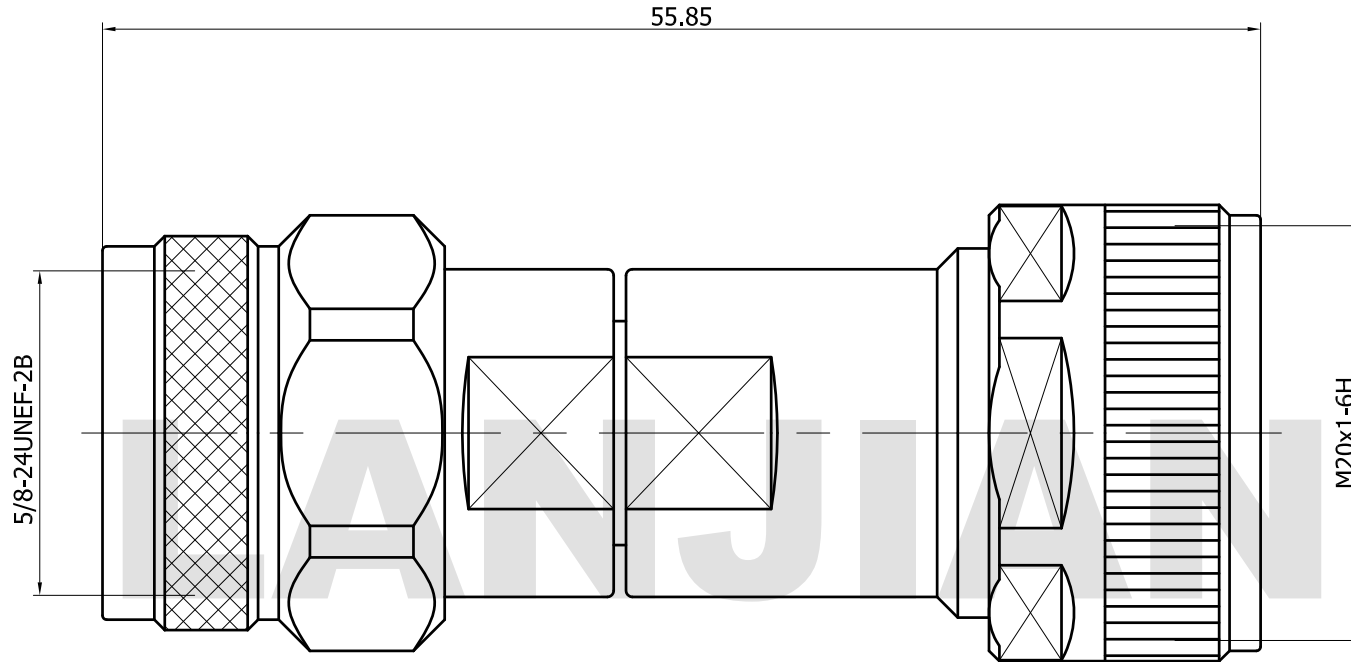


PRODUCT DATA SHEET



MATERIAL:

BODY: BRASS
 CONTACT: BERYLLIUM COPPER
 INSULATOR: NORYL /PTFE

PERFORMANCE:

IMPEDANCE: 50 OHMS
 FREQUENCY: DC TO 9 GHz
 VSWR: ≤1.1

THIS DOCUMENT CONTAINS CONFIDENTIAL AND PROPRIETARY INFORMATION THAT CANNOT BE REPRODUCED OR DIVULGED, IN WHOLE OR IN PART, WITHOUT WRITTEN AUTHORIZATION FROM LANJIAN ELECTRONICS	MATERIAL :			38 Hengtong Road, Xinqu Dingmao Zhenjiang, 212009, Jiangsu, P. R. China
	UNLESS OTHERWISE SPECIFIED: DIMENSIONS IN MM			
	TOLERANCES :			
	X.X ±0.20	ANGULAR : ±1°	DEBURR AND	
	X.XX ±0.10	FILLETS R/C : ±0.10	BREAK SHARP	
	X.XXX ±0.01	SURFACE FINISH : Ra 1.6	EDGES	
	DRAWN	NAME	DATE	
	CHK'D	H.Z.Y	04/21/2022	
	APPV'D	H.Z.Y	04/21/2022	
	MFG	SIGNATURE	TITLE	
N/4.3-10-JJA				
PROJECTION			DWG No.	
SIZE	SCALE	GCPZ3.640.N.XXX		
A3	8:1	REV. A		
DO NOT SCALE THE DRAWING			PAGE 1 / 1	