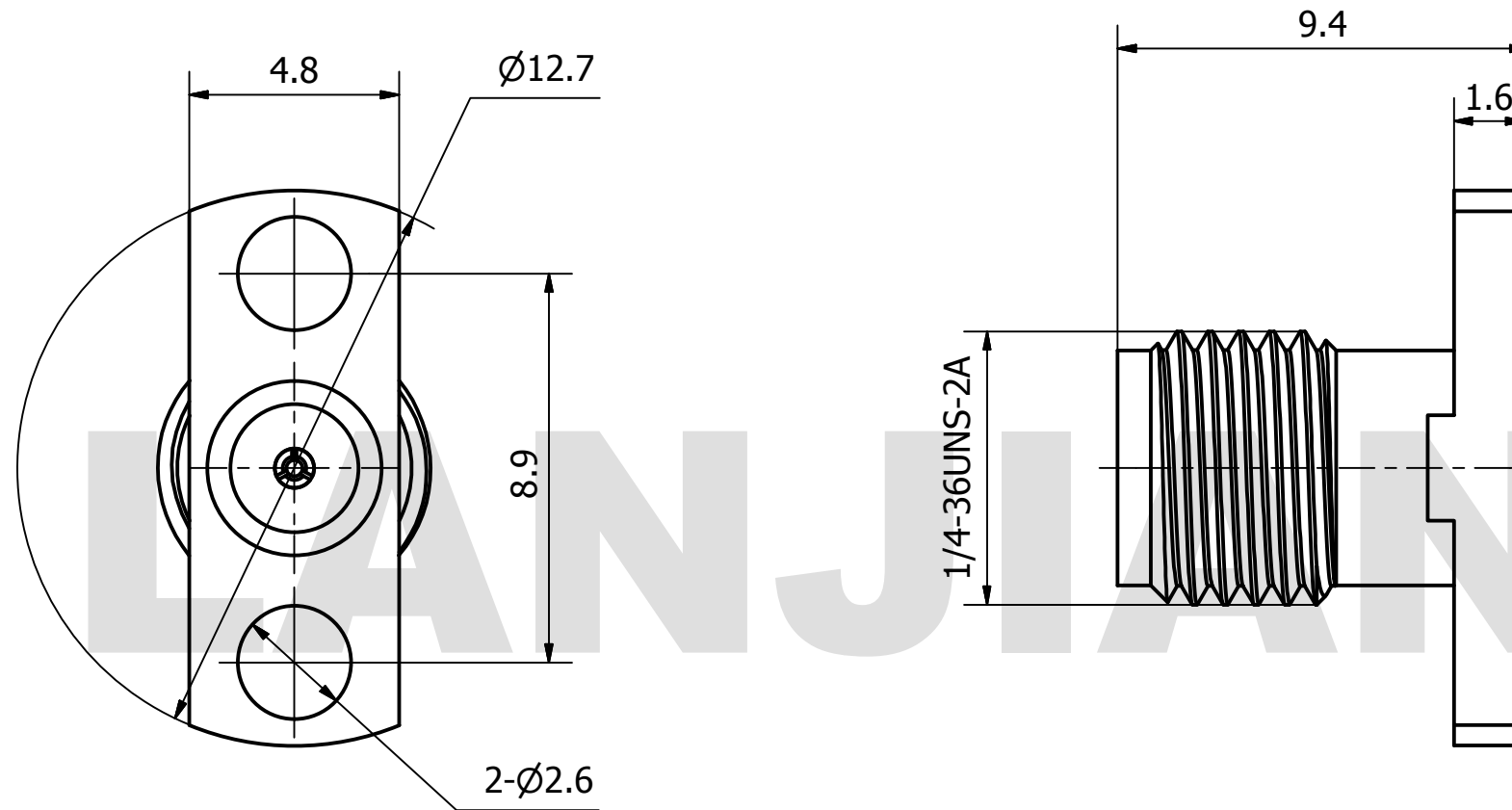


# PRODUCT DATA SHEET



**MATERIAL:**  
**BODY:** STAINLESS STEEL PER AMS-5640,  
 ALLOY UNS S30300  
**CONTACT:** BERYLLIUM COPPER PER ASTM B196.  
 ALLOY NO. UNS C17300  
**INSULATOR:** PTFE PER ASTM D1710

**PERFORMANCE:**  
**IMPEDANCE:** 50 OHMS  
**FREQUENCY:** 0 TO 18 GHz  
**VSWR:** ≤1.20

THIS DOCUMENT CONTAINS CONFIDENTIAL AND PROPRIETARY INFORMATION THAT CANNOT BE REPRODUCED OR DIVULGED, IN WHOLE OR IN PART, WITHOUT WRITTEN AUTHORIZATION FROM "LANJIAN ELECTRONICS"	MATERIAL :		
	UNLESS OTHERWISE SPECIFIED: DIMENSIONS IN MM		
	TOLERANCES :		
	X.X	± 0.20	ANGULAR : ± 1°
	X.XX	± 0.10	FILLETS R/C : ± 0.10
	X.XXX	± 0.01	SURFACE FINISH : Ra 1.6
			DEBURR AND BREAK SHARP EDGES
		NAME	DATE
		SIGNATURE	
		PROJECTION	SIZE
	SCALE		

38 Hengtong Road, Xinqu Dingmao  
Zhenjiang, 212009, Jiangsu, P. R. China

TITLE

## SMA-KFD2-127030

### straight micro-strip connector

DWG No. GCPZ3.660.A.020      REV.

DO NOT SCALE THE DRAWING      PAGE 1 / 1