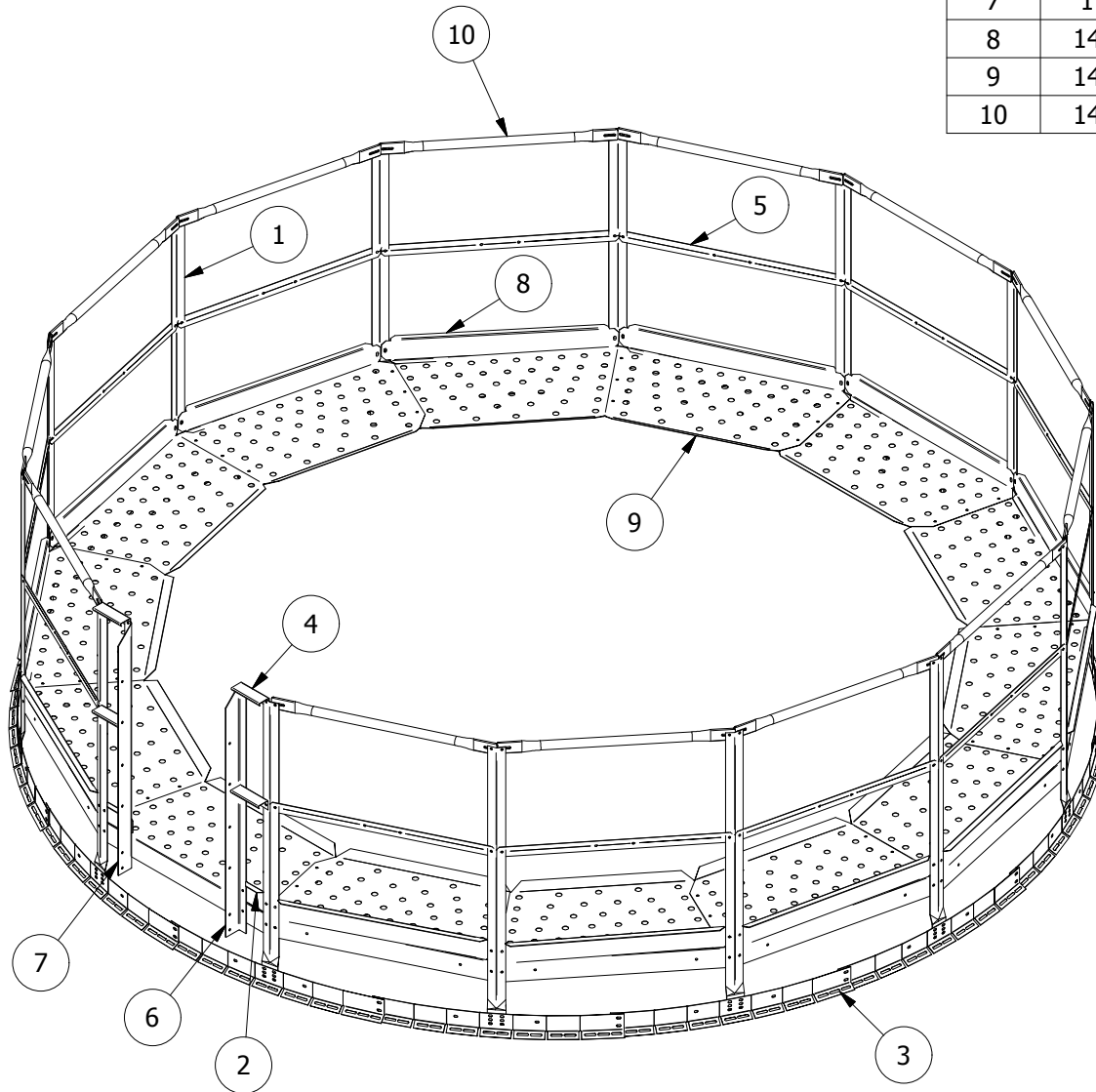


DRAWN Bill Huff CHECKED	1/3/2017	Greene Galvanized Stairs	
QA		TITLE	
MFG		Easy Step 14' Walkaround	
APPROVED		SIZE	DWG NO
		A	IN-ES5004
		SCALE	REV
			1
			SHEET 1 OF 3

PARTS LIST

ITEM	QTY	PART NUMBER	DESCRIPTION
1	14	ES-5123	11' Walk Post
2	2	ES-5293	Short Kickboard
3	14	ES-SR01	Base Ring
4	4	ES-5183	11' Short Handrail
5	14	ES-5290	12 Intermediate Handrail
6	1	ES-5143	11' Entry Post Right
7	1	ES-5144	11' Entry Post Left
8	14	ES-5292	12 Kickboard
9	14	ES-5470	14 Section Intermediate Deck
10	14	ES-5193	1.5" Round Handrail



DRAWN Bill Huff CHECKED	1/3/2017	Greene Galvanized Stairs	
QA MFG APPROVED		TITLE Easy Step 14' Walkaround	
	SIZE A	DWG NO IN-ES5004	REV 1
	SCALE	SHEET 2 OF 3	

ES51400 14 Section Walkaround Instructions

- Assemble and bend the 14 Base Ring sections to form a ring approximately 170" in Diameter.
- Place the Base Ring on the bin roof and center around the fill lid.
- **IMPORTANT!** Choose one of the base ring splices and center it on the roof panel that runs up the center of the roof ladder. Align splice with the projected end point of the roof stair run.
- Drill and bolt the base ring to the bin roof ribs in a minimum of 14 locations (try for 1 to 2 bolts per section) Use the distance from existing bolt holes in roof as a gauge to determine concentric placement around the roof.
- Tighten all splices on the base ring once it is fastened to the roof.
- Attach and finger tighten all posts to the base using the lowest possible hole combination that will work for the bin roof you are working with. The goal is to have the decks rest as level as possible against the bin roof.
- Assemble decks in groups of 2, carry them up the roof and bolt them to the posts using the bottom of the pair of holes that align with the decks in a level position.
- Attach the right and left entry posts between the two posts that center over the roof ladder.
- Attach the short hand rails and short intermediate rails, and short toe kicks.
- Plumb the posts with a level and tighten all connections.
- Attach the remaining toe kicks.
- Attach the remaining intermediate rails.
- Attach the remaining handrails.
- Plumb and tighten all connections.
- Tighten the post to base ring connections.
- Tighten Deck Splices.
- Using a TEK Screw fasten each deck to the roof at the inside deck lip.
- Important! Start any Roof Stair with the connection to the entry posts and work down. This is critical for alignment and uniformity.

REVISION HISTORY				
ZONE	REV	DESCRIPTION	DATE	APPROVED
	1	Add Round Handrail	1/3/2017	