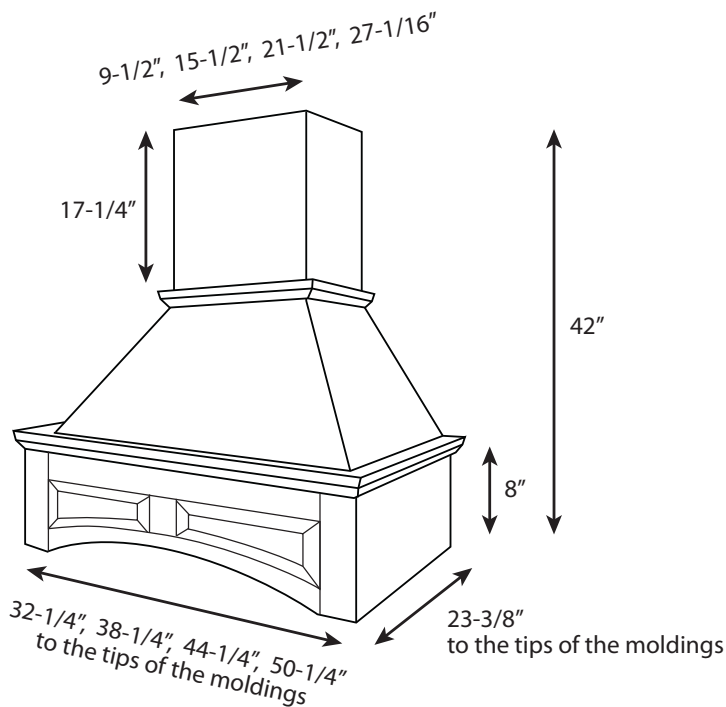


Chimney Hood

Features and Benefits:

- 30" through 48" wide
- 42" tall – upper section is trim-able
- Cherry, Maple, Red Oak and Alder
- 5 day lead time
- Ventilation from 390 to 1500 CFM
- **Frame: 441 Panel: Cove** on VRachim
- **Frame: 445 Panel: Flat** on VRS
- Reusable shipping container
- NO MODIFICATIONS



Vchim
Standard Base



VRachim
Arched Base



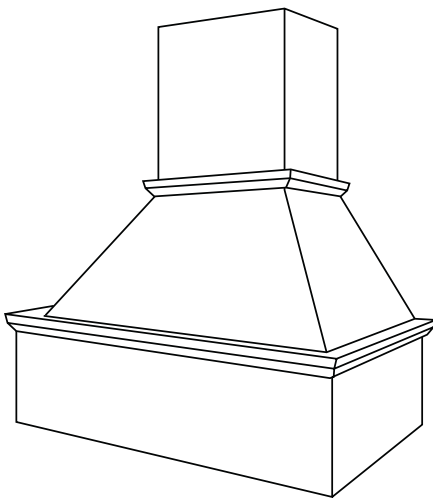
VRS

**Please check your local building code before placing an order. Range Hoods and Liner ventilators are subject to local building codes. It is your responsibility to ensure Stanisci Design Wood Range Hoods and liner/ventilators meet your local building code and/or the appliance manufacturers specifications.

VALUE LINE - Chimney Hoods

Vchim - Standard Base

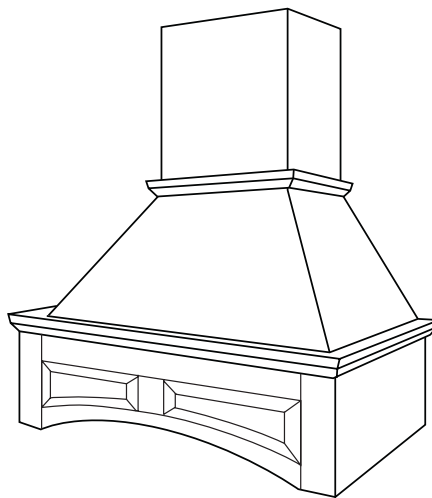
- Vchim 30 x 42
- Vchim 36 x 42
- Vchim 42 x 42
- Vchim 48 x 42



VRAchim - Arched Base

441 / Cove door style

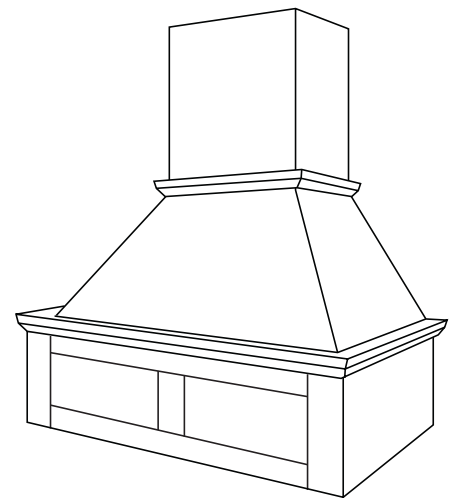
- VRAchim 30 x 42
- VRAchim 36 x 42
- VRAchim 42 x 42
- VRAchim 48 x 42



VRS - Square Base

445 / Flat door style

- VRS 30 x 42
- VRS 36 x 42
- VRS 42 x 42
- VRS 48 x 42



Available Ventilation Options



Professional Mesh Liner-300 CFM-1500 CFM



Standard -365 CFM



Premium 635 or 990 CFM
(not available on 30")