

Refridgerant Pipe Chase Order Form / RPC 2PC 6-14 1W24GV



6227 147th Ave N. Suite B, Clw, FL 33760

P: (727)-532-4822

F : (727)532-4848

Page:

Of

Date:

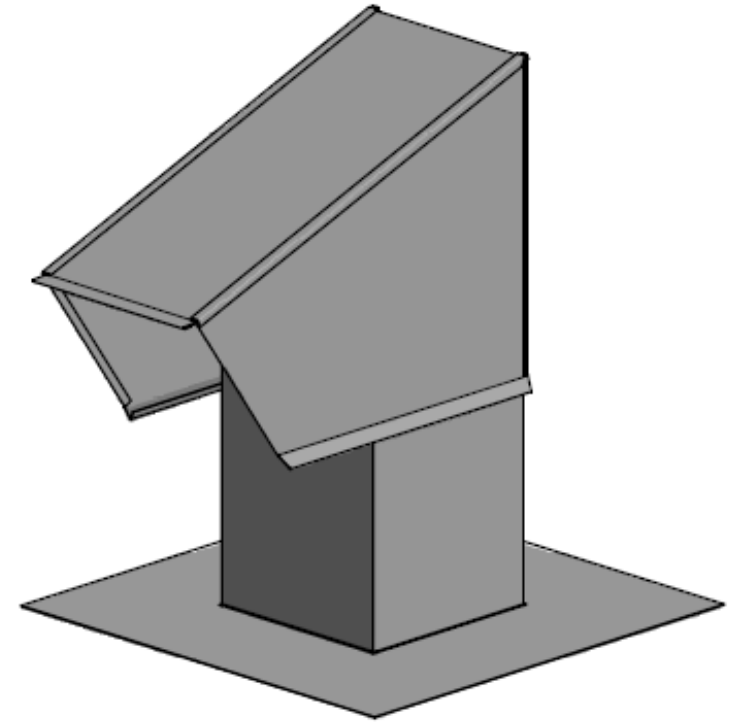
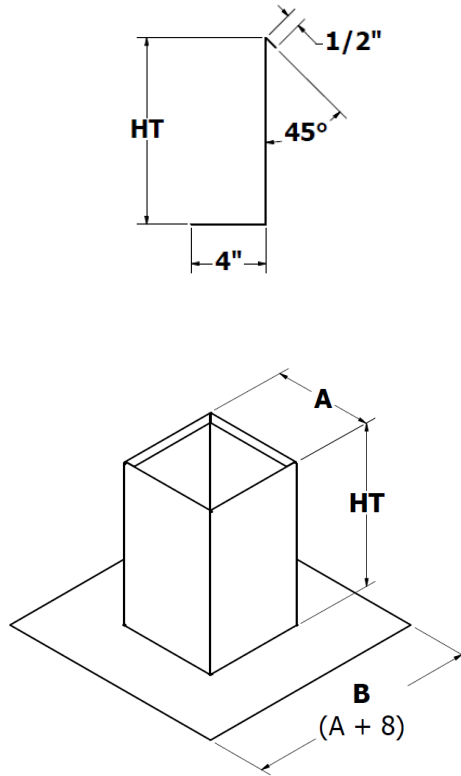
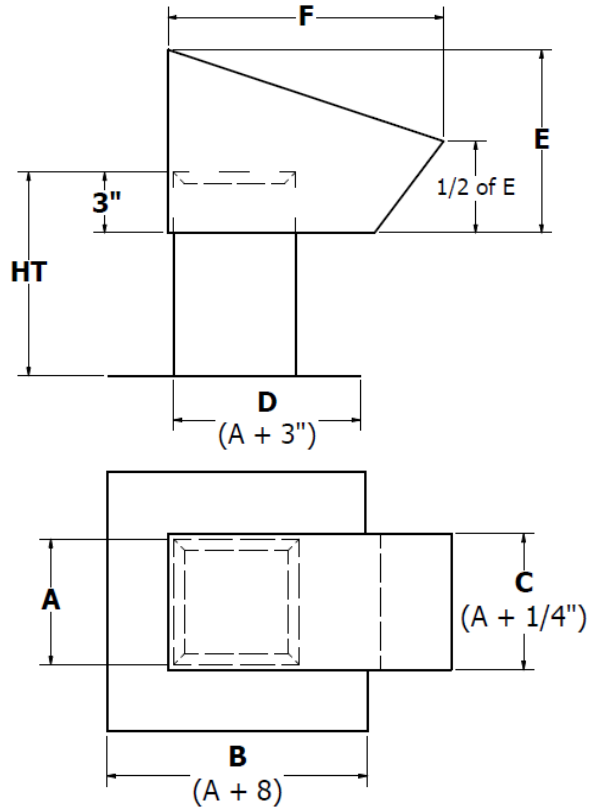
Date Requested:

Company Name:

Requested By:

Job Number:

Job Name:



Qty.	CURB			CAP				TAG / NOTES	Fab	Comp.	Load	B/O
	A	B	HT	C	D	E	F					
	6"	14"	15 1/2"	6 1/4"	9"	9 1/2"	13"					
	8"	16"	15 1/2"	8 1/4"	11"	11 1/2"	15 7/8"					
	10"	18"	15 1/2"	10 1/4"	13"	13 5/8"	18 3/4"					
	12"	20"	15 1/2"	12 1/4"	15"	15 3/4"	21 1/2"					
	14"	22"	15 1/2"	14 1/4"	17"	17 7/8"	24 1/2"					

Customer Sign: _____

Date: _____

HVAC Sign: _____

Date: _____