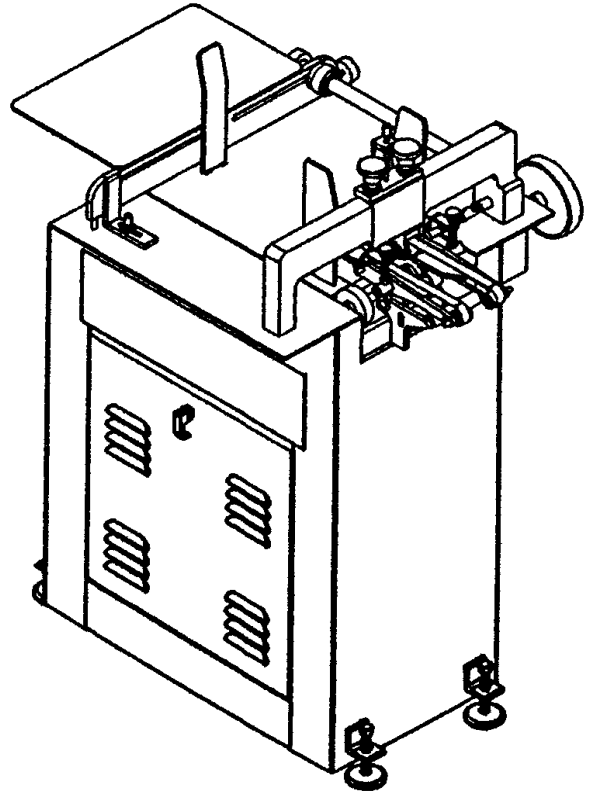




KR 324T FEEDER

Kirk-Rudy, Inc. • 125 Lorraine Parkway • Woodstock, GA 30188
Phone: (770) 427-4203 • Fax: (770) 427-4036

Consistently feeds a wide assortment of product including magazines, cards, newspapers, knock-down boxes and envelopes



Features:

- ◆ Vacuum shuttle feed
- ◆ Oil-less vacuum pump
- ◆ Semi-automatic lubrication system
- ◆ Piece counter
- ◆ Caster base

Specifications:

- ◆ Electrical Requirements: 120V
15 Amp
60 Hz
- ◆ Physical Size:
Length: 24"
Width: 23"
Height: 33"
- ◆ Media Size:
Minimum: 3" x 5"
Maximum: 13" x 13" x 0.38"
Minimum Thickness: 20 lb single sheet

**Specifications subject to change without notification

**Guards have been removed for clarity; do not operate machine without guards in place