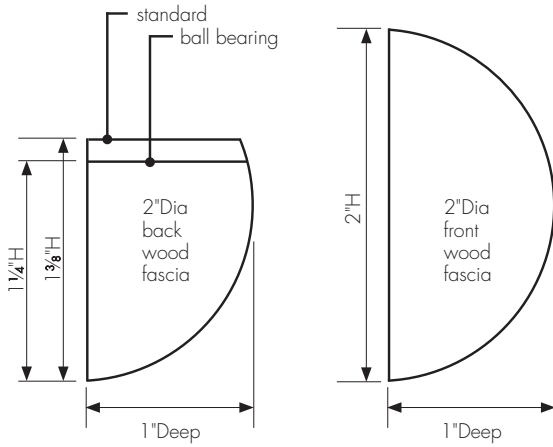


2"

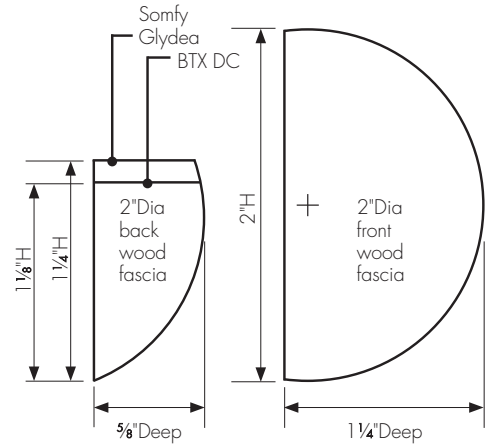
corded traverse fascia

cuts for standard and ball bearing systems

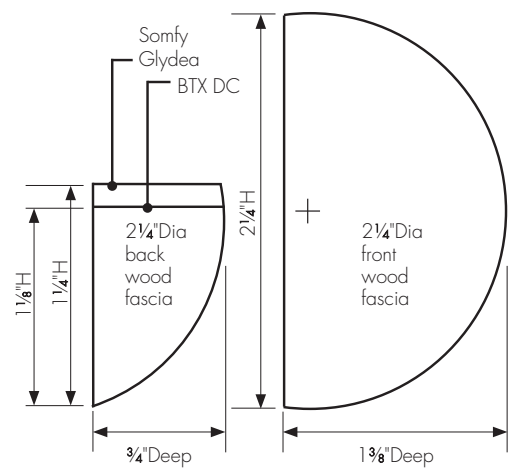
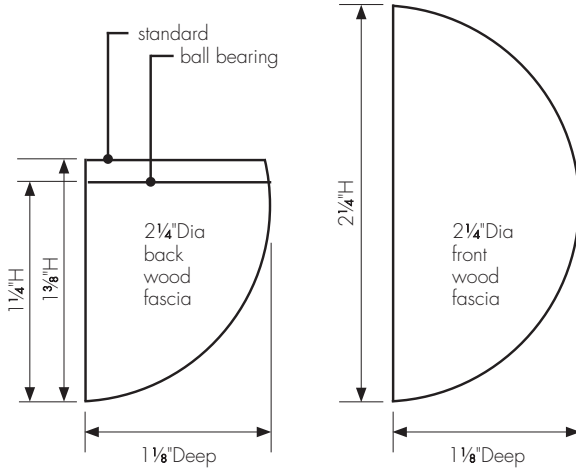


motorized traverse fascia

cuts for Somfy Glydea and BTX DC systems



2 1/4"



3"

