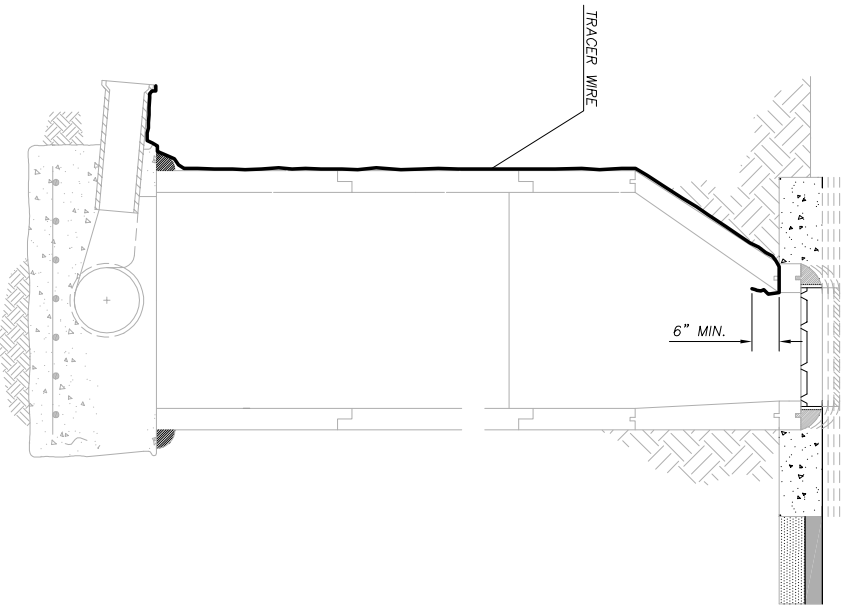
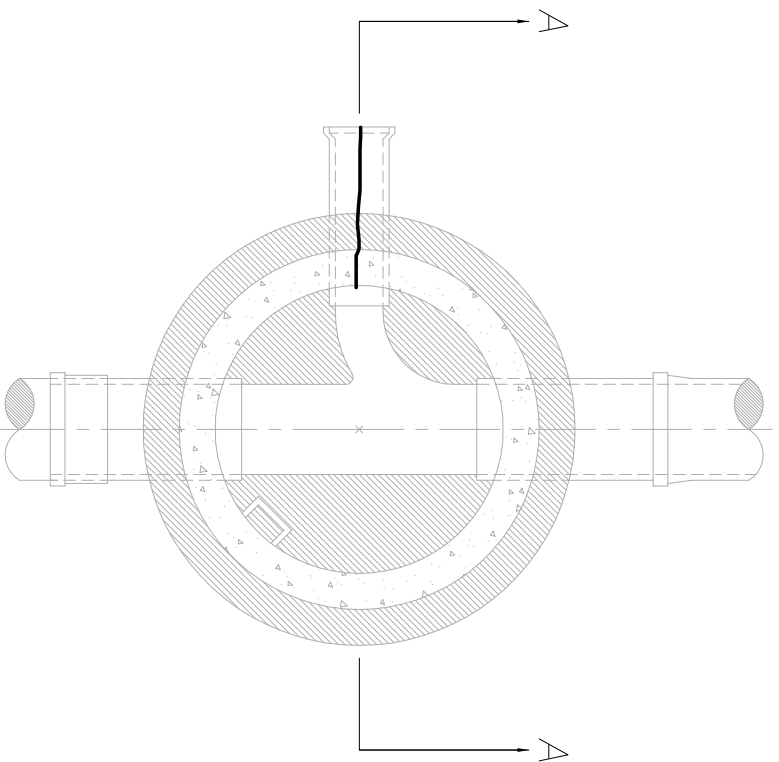


NOTES:
1. #12 AWG GREEN INSULATED COPPER WIRE SHALL TRAVEL UP THE OUTSIDE OF THE MANHOLE TO THE TOP OF THE CONE AND SHALL END 6" BELOW THE INSIDE TOP OF THE CONE.



SECTION A-A



PLANVIEW

JOHNSON UTILITIES, LLC
SCOTTSDALE, AZ

TRACER WIRE DETAIL
FOR MANHOLE SERVICES

DETAIL NUMBER:
JU-4401