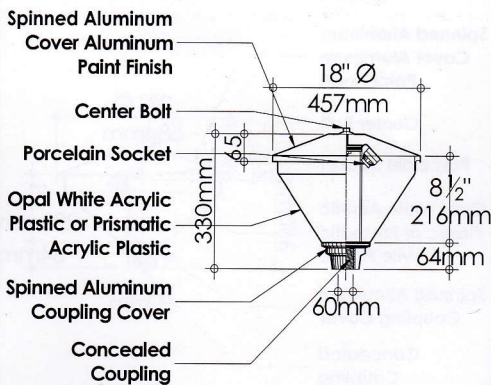


AMCO AMCRYLIC LAMP

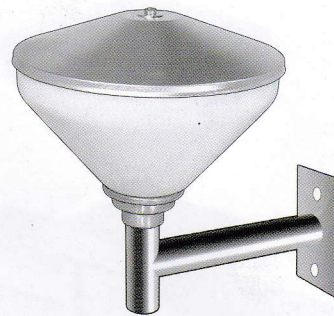
MAX. 250W



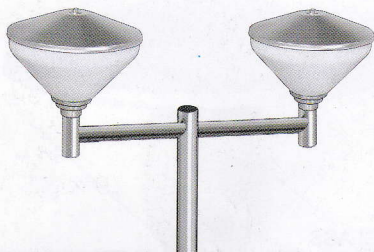
MODEL NO.
C - 44B



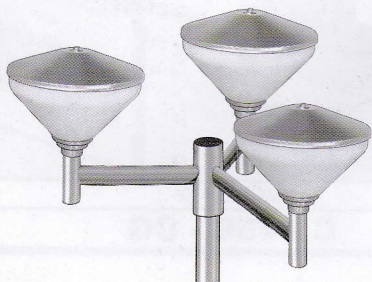
DIMENSIONS & MATERIALS



MODEL NO.
C - 44W



MODEL NO.
C - 44P2



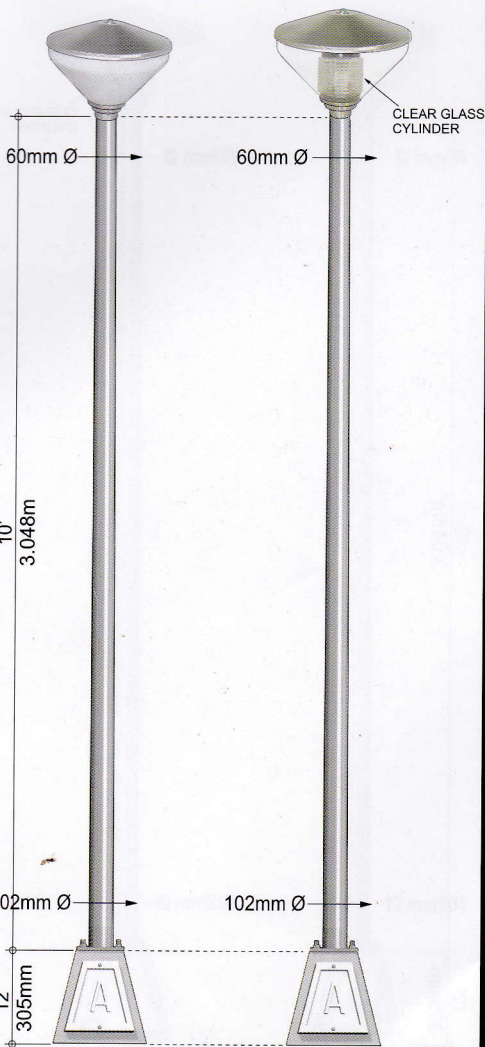
MODEL NO.
C - 44 - 3



MODEL NO.
C - 44 - 4

POST: Zinc Electro-galvanized steel lantern post and pedestal base coated with red oxide and enamel paint finish. Complete with anchor bolts, nuts and washers.

BRACKET: Zinc Electro-galvanized steel multi-arm support brackets are all finished in bright aluminum paint.

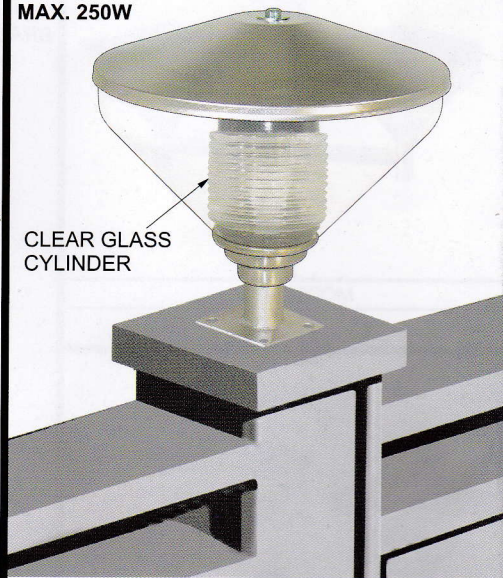


MODEL NO.
C - 44S - TP-10

MODEL NO.
C - 44 - PI - CG

BASE TYPE w/ CLEAR GLASS CYLINDER

MAX. 250W



MODEL NO.
C - 44B - CG



COUPLING TYPE w/ CLEAR GLASS CYLINDER

MODEL NO.
C - 44 - C - CG