

Salad and Sandwich Units



Model	Size
STX-29	29" Unit
STX-36	36" Unit
STX-48	48" Unit
STX-61	61" Unit
STX-72	72" Unit

STANDARD FEATURES

- Stainless steel exterior, aluminum back. Bright white aluminum interior.
- Refrigeration system keeps food at safe temperatures between 33°F and 41°F
- Self-Closing doors with 90 degree stay-open feature.
- Cutting boards and pans available.
- Shelves: Adjustable heavy-duty PVC coated shelves.
- Option of different handles available.
- Electronic control system makes it easy to adjust temperature set point and defrost frequency
- Pre-installed heavy-duty casters with brakes
- Removable installation board makes it easy to access condenser coil for cleaning and service
- These units use HYDRO-CARBON R290 refrigerant which is environmentally friendly and more efficient than R134a/R404a refrigerant

*Not suitable for installation in a non-commercial or residential applications.

Items	Description	Items	Description
Front, top & sides	Stainless steel	Temperature control	Solid state thermostat/Digital display
Doors	Stainless steel	Approvals	ETL LISTED
External back	Aluminum	Refrigerating system	Capillary tube
Cabinet interior	ABS	Refrigerant	HYDRO-CARBON R290
Interior floor	Stainless steel	Temperature range	33°F to 41°F
Insulation	Polyurethane (CFC free)	Evaporator	Powder coated aluminum/copper
Shelves	Heavy duty, PVC coating	Condensing unit	Bottom mounted

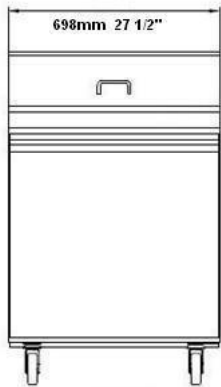
CONFORMS TO NSF/ANSI STD 7



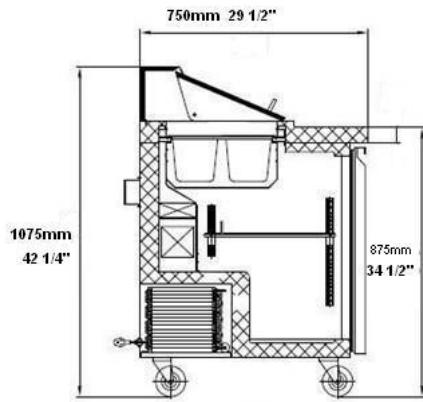
REFRIGERATION



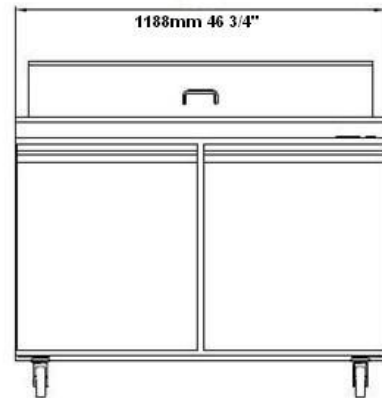
DETAILS AND DIMENSIONS



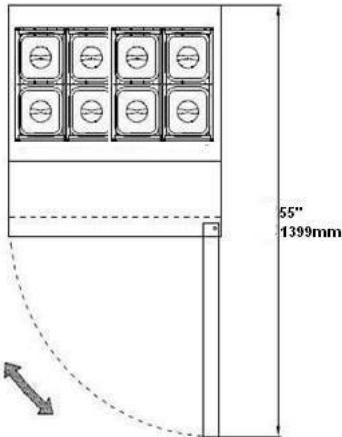
Elevation



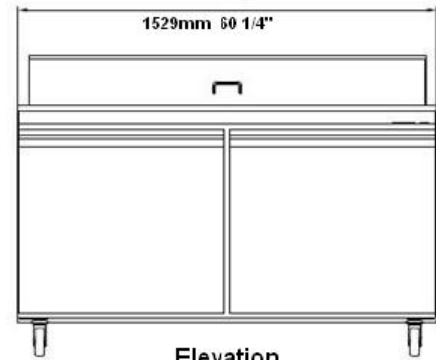
Section View



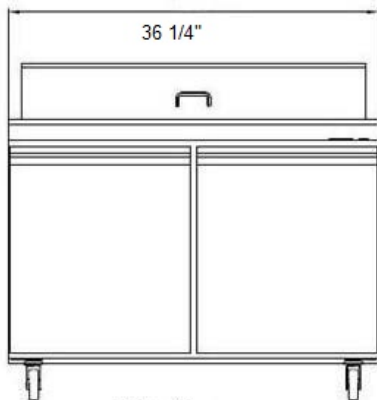
Elevation



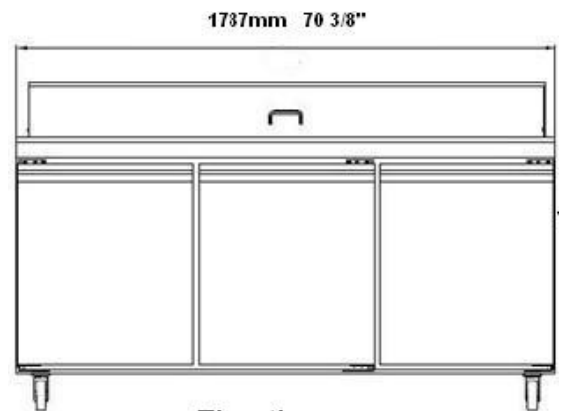
Plan



Elevation



Elevation



Elevation

Model	Doors	Shelves	Cabinet Dim (inches)			HP	Voltage	Amps	NEMA Plug	Cord Length
			L	D	H					
STX-29	1	1	27.5	29.5	42.375	1/5	115/60/1	2.88	5-15P	10
STX-36	2	2	36.25	29.5	42.375	1/5	115/60/1	3.24	5-15P	10
STX-48	3	2	46.875	29.5	42.375	1/4+	115/60/1	4.56	5-15P	10
STX-61	3	2	60.2	29.5	42.375	1/4+	115/60/1	4.8	5-15P	10
STX-72	3	3	70.4	29.5	42.375	3/4	115/60/1	8.9	5-15P	10