

Happy  
New Year

## Super's Report

Art Dawson  
Division Superintendent

Hello fellow modelers,

Merry Christmas!

I hope Santa brings you everything you want this season.  
(we can dream, can't we?)

Our next meeting is the annual Rail School, which is fun to participate in, and a key part of the requirements of our 501(c) status. I am going to miss it again this year as I am out of town.

The wintry weather allows most of us the opportunity to spend time working on our layouts or operating on others, as well as spending time with our loved ones this season.

Happy holidays, and I'll see you at the show in February.

Art Dawson  
SCWD Superintendent  
Model railroading is fun!

**Next SCWD Meet**  
**Verona Senior Center, Verona**  
January 5, 2025 at 1 PM

**Next BOD Meeting:**  
January 14, 2025 at 6:30 PM  
ZOOM Meeting



**Next Youth Group**  
**Verona Senior Center, Verona**  
January 11, 2025 1 PM



## Model Railroad School

Fun. Educational. Free.

Live demonstrations show you how to turn a toy train into an exciting, operating model railroad.

Kid's Make & Take Clinic: **free** freight car kit for kids.\*  
We help them assemble it run on our test track and they can take home..

**Sunday, January 5, 2025, 1-4 pm**

Verona Senior Center, 108 Paoli St., Verona, WI

[www.nmra-scwd.org](http://www.nmra-scwd.org)

Hosted by the South Central Wisconsin Division of the National Model Railroad Association.  
\*While supplies last.

# SCWD Train Show 2025

The 2025 Train Show is scheduled for February 15 and 16, 2025. As usual, we need to field enough volunteers to run a show of this size. Over the next two weeks we will be contacting you to confirm your availability to work one or more of the various jobs during the show and during setup.

Volunteers will be needed for setup on Friday morning, 2/14 (includes breakfast for the crew going to the storage shed), and both days of the show.

Please know we are not pressuring you to give us a positive response. (But we really do want you to give us a positive response.) After all, this is the hobby you love and the volunteer opportunities begin on Valentine's Day. We assume you know what works best for you and your family.

Thank you to those of you who have already responded; we will be in touch shortly.  
For the rest of you, a timely response will be appreciated.

If you have any questions please contact our Train Show Volunteer Coordinator (Dave Down).

Email: [dfdown2000@gmail.com](mailto:dfdown2000@gmail.com)

Or

Phone: 608-235-5436  
(Leave a voice message)

# Clinic Column

Bob Wundrock

Thanks to Steve Sandifer of Houston Texas for his excellent clinic on how he models the Santa Fe Howard Branch and Santa Fe structures.

Unfortunately, our first scheduled clinician forgot to check his calendar and didn't show.

However, with a few minutes notice I was able to present another clinic on historic Madison area railroads.

I will be prepared to fill-in if this scenario ever happens again.

Since we don't have a regular meet in January because of Rail School, we won't have any clinics until February's meet. I will preview those clinics in next month's Bad Order.

See you virtually.  
Bob



Early 1940s Train 508  
Frank Rogers photo  
Bob Wundrock collection



**CATCH THE TRAINS**  
*Save!*  
**FAMILY PACK**  
**\$36\***  
**TICKETS**

# Mad City

## MODEL RAILROAD SHOW & SALE

February 15–16, 2025  
Saturday 9–5 · Sunday 9–4  
Alliant Energy Center, Exhibition Hall  
Madison, Wisconsin

A GREAT FAMILY ENTERTAINMENT VALUE!

DISCOUNT TICKETS AVAILABLE AT [BIT.LY/MADCITYTRAINSHOW](https://bit.ly/madcitytrainshow)  
\* Family Pack includes: two adults (regular/senior) & two kids (5–15). Kids under 5 FREE.



# Mad City

## MODEL RAILROAD SHOW

Sat. Feb. 15, 9AM–5 PM • Sun. Feb. 16, 9AM–4 PM • 2025  
Alliant Energy Center, Exhibition Hall, Madison, WI

One of the Midwest's best model RR events showcasing beautiful model train layouts in Z, N, HO, S, O and G scale; classic toy trains; historical exhibits. **250+ vendor tables** of model train merchandise including tools, railroad collectibles, videos, books, clothing and artwork. Hourly door prizes for adults. Kids, age 5-15, can register to win an HO scale train set!

**FOUR HO TRAIN SETS GIVEN AWAY EACH DAY!**

Family Pack \$36: two adults (regular or senior) and two kids (5–15)  
Adults \$14 (16 & older), Seniors \$13 (65 & older)  
Children \$6 (age 5–15), Kids under 5 FREE  
Active duty military \$13. Two day pass \$18. Parking fee not included.  
All children under 16 must be accompanied by an adult.

**Advance Sale Discount Tickets**  
Adults \$13 (16 & older), Children \$5 (age 5–15), Two Day Pass \$17



For more information:  
[www.nmra-scwd.org](http://www.nmra-scwd.org)  
Presented by the volunteers of the  
South Central Wisconsin Division of the  
National Model Railroad Association,  
Midwest Region ©2024, NMRA-SCWD





# Layout Tours

Phil Hottmann

Thanks to Don Mayo for not only opening his new layout but also arranging to have Tom Cox to open to display his as well.

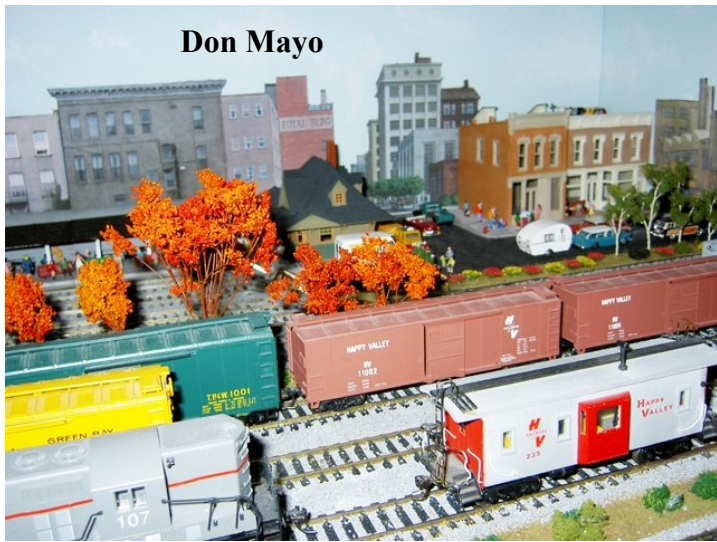
Even though Don's layout is now significantly smaller than his previous layout, he has demonstrated what you can do in a small space. Don is now in a retirement facility and only had a second bedroom to build his layout. Someday we will all be there.

As a bonus Tom Cox has also recently moved into the same facility. We were able to see portions of his beautiful layout on display in his living room. We also saw a model airplane and a full HO size model of the Edmond Fitzgerald. Both were exceptional!

Due to the Rail School, we will not have any layouts in January.

I'm still looking for a layout to be open for February. If you are interested, please let me know.

Phil



Don Mayo



Tom Cox

# Youth Group

Steve Preston, Chair



On Saturday, the kids were working on their dioramas. They each had theirs set up the way they wanted but had to use their telephone shacks and railroad loading dock, some were on the layout.

Charlie who started laying some road work, had his plans for a church and some railroad stops across from it. Levi and Chris were soldering wires and joints for future layout expansions to prevent voltage drop and dead spots. Ashton Petersen was making his diorama in a mountain type setting.

Each kid got a \$25.00 gift card for Madison Hobby Stop for Christmas, some already know what they wanted to get. Stay tuned for future updates on these and many more exciting things here at the youth group.

Thanks to Phil Hottmann, Chris Bradley and Karl Hauth for your help...you guys pulled off a good one.

Steve Preston  
Youth Group Chair and  
Membership Chair



# Contest Column

Dave Down, Chair

Our December meeting is in the books and many of us are waiting for our chance to see what is under the Christmas tree to enhance our hobby experience. As you know, pictures of Santa Claus almost always include trains, so we know he is tuned in to our hobby. For those of us with young children in our lives, this is a great time to introduce the next generation to the hobby. However your holidays play out, I pray you will have a great Christmas time with family and friends.

There will be no contest in January as we are holding the Rail School on January 5. The next contest will be February 2.

December's contest was models made to match a photograph. It didn't matter the source of the picture. It could be one the modeler took or one found somewhere. There was no photo contest in December.

## December 3 Popular Vote Contest Results — Photo Match

### Cat. A Motive Power

- 1st Jim Thayer-Hart: LS&I RSD-15
- 2nd Dave Lendved: C&NW 1518 in commuter service



### Cat. B Passenger

- 1st Rusty Dramm: GN full length Dome Car (N scale)
- 2nd Phil Hottmann: Wood Passenger coach



### Cat. C Freight

- 1st Sean Hadfield: Milwaukee rib side box car



### Cat D. Structure

- Tie 1st John Haverberg: Warehouse in E. Green Bay



- Tie 1st Sean Hadfield: Bedford Street House



- 2nd Don Swinton: DB&S Speeder Shed
- 3rd. Al Potts: NP. Fire hose car shed

Dave



## A Puzzle for You

You like trains, or train watching, but have you ever wanted to go to an OPS (Operating Session) and run trains on someone else's layout, but were afraid you wouldn't know what to do?



Model Railroad Operation is a fun and interesting role-playing game where the players (operators) use model trains to simulate the movements of the prototype railroad. Operators fill the roles of railroad employees like engineers, conductors, yardmasters, dispatchers, and more. Many of our SCWD members participate each month at multiple layouts to enjoy this fun and stimulating practice of critical thinking and problem solving in the context of railroad operations.

Now, there is a way for you to get your feet wet in this critical thinking and problem-solving railroad environment in the privacy of your own home through the use of railroad switching puzzles.

In July 2020, a group of SCWD members started a project to introduce more of our members to the enjoyment of railroad operations, or as our wives call it, playing trains. Some of us have been engaged in operating sessions for 20 years or more, and would like to get more of you involved.

The project involves getting one to solve a series of train switching puzzles (on paper, or your computer) in the least number of moves possible. You can then submit your solution to see if yours was done in the least number of moves.

**Beginners** can start with **3 introductory puzzles** to show the kinds of skills used in railroad switching operations. Then, you can advance to a series of more advanced puzzles written and based on actual SCWD member area layouts. Or, if you have already been to an OPS session, you could do an introductory puzzle, and jump right into the more challenging ones.

**Join the SCWD listserv now and begin learning what this is all about!**

Email Steve Lanphear at [scwdmemberlist@mhtc.net](mailto:scwdmemberlist@mhtc.net) to be added to the list and start receiving your puzzles now!

Happy Railroading!  
Steve



**Enjoy receiving interesting rail photos, model railroad tips, Operating puzzles, and challenging Mystery Photos??**

Join The 120+ SCWD members and members from other Midwest Regional Divisions who are participating in the SCWD listserv. You can expect 5 - 10 photos of railfan photos or model railroad photos or other items per week on average, as well as SCWD announcements, monthly Mystery Photo contests, Modelers Corner, and OPS Corner Puzzles. The listserv has been running this since April 2012, and it has been quite popular.

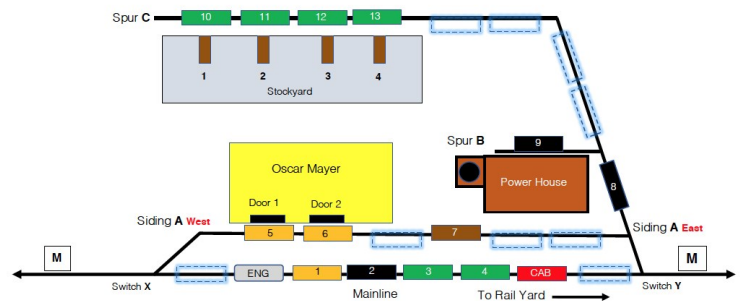
The listserv is a one-way email broadcast to you, not a social media type service. The emails are sent in bulk, but as a BCC: type email.

Please save this email so you know how to get a hold of me. So, if you would like to try out this FREE member service, just send me your **Name** and **email address**, and **City/State** to the address below. You may drop out at any time by sending an email stating such to the same address below.

Steve Lanphear  
SCWD listserv Coordinator  
[scwdmemberlist@mhtc.net](mailto:scwdmemberlist@mhtc.net)



## OPS Puzzles

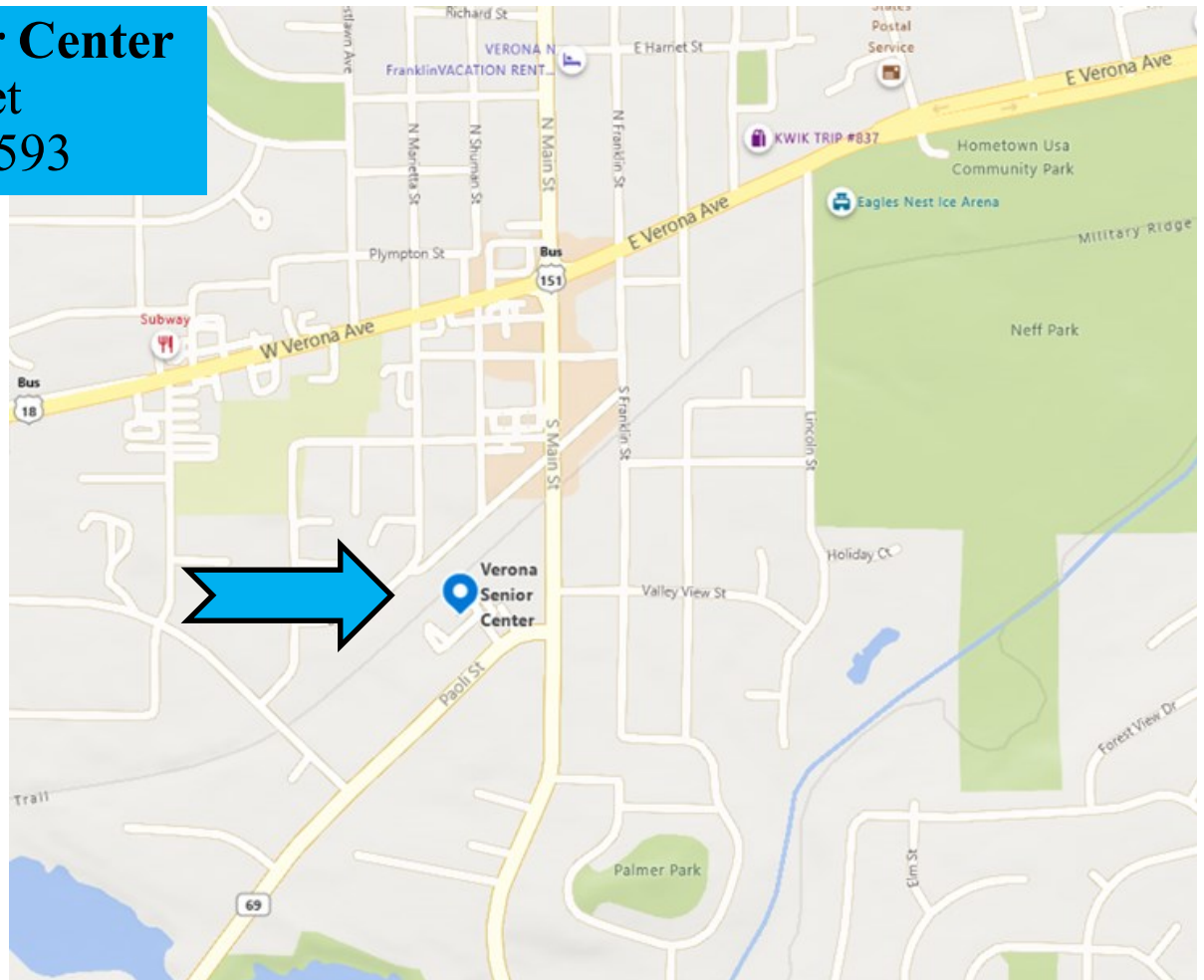


OPS Puzzles have arrived! We now have a section on the SCWD Website that has all 11 puzzles that we have published on the listserv, including the handouts and diagrams. You can start from the beginning, or pick and choose which puzzles you would like to try.

[www.nmra-scwd.org/ops-puzzles.html](http://www.nmra-scwd.org/ops-puzzles.html)

Steve Lanphear and the Puzzle Development Team.

**Verona Senior Center**  
108 Paoli Street  
Verona, WI 53593





# NMRA NEWS



**July 14 – 19, 2025**  
[www.nmra2025.org](http://www.nmra2025.org)

**Big 2 day  
National Train  
Show!**

**NMRA National  
Convention**

**STATION No. VI**

**2025  
NMRA**

**Novi, MI**

**CELEBRATING 90 YEARS**

## **STATION No. VI NMRA National Convention**

Barrie Hensel

Station No. VI publicity chairman

Hello NMRA members! The 2024 NMRA National Convention is complete and the 2025 National convention

– **STATION No. VI** –

is heading down the track at full steam ahead!

Registration is open and we already have over 100 registrations.

Go to

[\*\*nmra2025.com\*\*](http://nmra2025.com)

to see all of the event details and the registration page.





**Minutes SCWD Board Meeting  
November 12, 2024  
via Zoom meeting**



The meeting of the South Central Wisconsin Division Board of Directors was called to order at 6:40 pm by Superintendent Art Dawson. Art Dawson, Bob McGeever, David Dingman, Phil Hottman, Steve Preston and Chris Bradley were present. Bob Wundrock was also in attendance.

**Minutes**

Motion by McGeever, second by Bradley to approve the minutes of the SCWD Board Meeting held on October 15th, 2024. Motion carried.

**Paymaster Report**

Bob McGeever presented the highlights of the October Paymaster Report. Motion by Bradley, second by Preston, to approve the Paymaster Report. Motion carried.

**Committee Reports**

**Picnic** – Nothing to report.

**Achievement Program** - Nothing to report.

**Advertising** - Nothing to report.

**Bad Order** - Articles have been submitted for the newsletter by November 16th.

**Clinics** - Bob Wundrock. The December clinics are: (1) from Houston on a branch line RR and (2) from Seattle – Burr Stewart on his prototype – freelance railroad.

**Contests - Model and Photography** – Nothing to report.

**Modeling Project** – Nothing to report.

**Door Prizes** – Nothing to report.

**Layout Tours** – Nothing to report.

**Membership** - Steve Preston reported one new member signed up for the SCWD, making 6 new members this year,

**Spring Banquet** - Nothing to report.

**Publicity** – nothing to report.

**Rail School - January 5, 2025** – Sean Hadfield will be coordinating the Rail School for January 2025.

**Rail Show** - The *57th Madison Model Railroad Show and Sale* will be held on February 15 - 16, 2025. Vendor table reservations are still coming in. Added an S-gauge layout from Chicago. Rail Show committee meetings will start soon.

**Youth Group** – nothing to report.

**Website** – Website hosting may be moving to new host after outage around November 3<sup>rd</sup> meeting.

**Old Business:**

Nothing to report.

**New Business:**

Review of commission rates for Company Store consignment sales.

1. Current commission rate of 25% regardless of equipment condition and/or documentation.

2. Proposed sliding scale commission rate of 30% minimum to 50% maximum based on judgement of Company Store and Estate Management chairs.

A motion was made by McGeever, seconded by Steve Preston to allow consignment fees to range from 30% to 50% based on the judgement of the Company Store and Estate Management Chairs of the equipment condition and the supporting documentation. Motion carried.

**Adjournment:**

A motion was made by McGeever, second by Preston, to adjourn the meeting. Motion carried. The meeting was adjourned at 7:09 pm.

**David Dingman - SCWD Clerk**



A photo of our Mad City booth at Trainfest, November 23-24, 2024. Pictured is Mark Olsen, he and I manned the booth on Saturday. The WISE Division booth was to the left of ours. It was held at the Baird Center in downtown Milwaukee. We had an excellent position, with lots of people traffic coming by us, and stopping to talk. This was only the second Trainfest to happen in the last five years. Next year the show will be back at State Fair Park.

Bob Boelter



**For those members that participate in the listserv emails from Steve Lanphear, please remember to **send him your new email** if you change it! Changing your email with the NMRA does not change it on the listserv. His email is:**

Steve Lanphear  
 SCWD listserv Coordinator  
 scwdmemberlist@mhtc.net

**FROM the NMRA**  
**Please Keep in Touch**



Please make sure the NMRA has your current contact information. You will not be able to access the full range of NMRA benefits unless we can reach you.

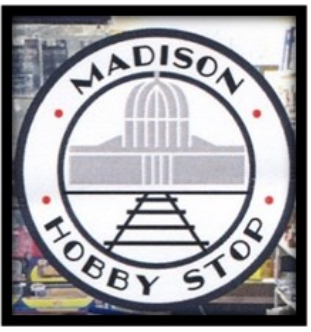
- Please visit [nmra.org/members](https://nmra.org/members)
- Use your email address and password to log in.
- If you have not yet registered, or forgot your password, there are buttons for that. Take a moment to easily correct any problems.
- Once logged in, click on Member Info (top right corner).
- Make sure your information is correct.
- If not, please go to:

[nmra.org/request-membership-info-changes](https://nmra.org/request-membership-info-changes)

to submit a request for changes to be made.

*Thank you!*





# **MADISON HOBBY STOP**

6622 Mineral Point Road, Madison, WI 53705

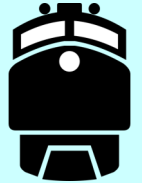
Ph: 608-829-3820 • Fax: 608-829-3852 • [www.madisonhobbystop.com](http://www.madisonhobbystop.com)

**Hours: Monday – Friday (10 am – 8 pm) and Saturday (10 am – 5 pm)**

Model Railroading • Plastic Model Kits • Rockets & Accessories • Pine Car •  
Paints • Tools & more!



## **Happy New Year!!**



**Made it thru another year, completed my 20TH year in August.**

**Thank you to all my customers for supporting me again last year,  
made for another good year!!**

**Look forward to serving you all again in 2025**

**Now open Sundays from 12:00-5:00**

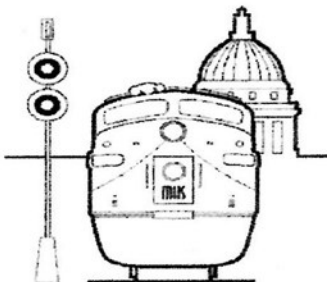
**Preorders are 25% off regular price except  
Walthers Proto which is 20% off**

**New/old consignment coming in weekly, stop in for best selection**

**Remember, most model railroad items are 20% off  
with a valid NMRA or other club id card**

*Excludes discounted or sale items, magazines, and consignments*

**Gift Certificates Available**



Madison Hobby Stop  
Chris Roosli, Proprietor

# The Hobby Depot

Brian Stackpole, owner



See us on the web at: [www.hobbydepotmonroe.com](http://www.hobbydepotmonroe.com)



835-17th Street  
Monroe, Wisconsin 53566

Phone: 608-325-5107

Call ahead to be sure we're open!

email: [hobbydpo@tds.net](mailto:hobbydpo@tds.net)

**TRAINS & MORE**

## South Central Wisconsin Division of the National Model Railroad Association

Publishes eleven issues yearly of the

### **BAD ORDER**

Official Mailing Address:  
BAD ORDER  
3940 Trempealeau Trail  
Verona, WI 53593

Photos in the Bad Order, unless otherwise noted,  
are by Kathy Clancy

Deadline for submissions: **14th of the month  
prior to publication.** Email Bad  
Order Editor at [SCWDKATHY@AOL.com](mailto:SCWDKATHY@AOL.com)

Place your ad here!!!

Contact

Kathy Clancy

Bad Order Editor

[SCWDKathy@aol.com](mailto:SCWDKathy@aol.com)

# Railroad Collectibles

## **Wanted to Purchase:**

Annual Passes-Card size-Pre 1830

Annual Reports

Brochures-Railroad Brochures, Folders, Booklets

Calendars-Pre-1980 Railroad Issued

Depot Related Items: Telegraph-Telephone-Signs-  
Ticket Dater Machines-W/Brass Die Insert

Diagram Books-Locomotive-Freight-Passenger

Dining Car China-Silverware-Holloware-Glassware

Especially With Railroad Name, Initials,  
Logo

Engineering Data Books-Track Charts-Blue Prints

Great Lakes Car Ferry and Passenger Lines-

Passenger Service Memorabilia

Fred Harvey Restaurant Items-Dishes, Glass, Silver,  
Paper and any Miscellaneous Items

Locomotive Builder Plates

Miscellaneous-Many more items not mentioned

Publications-RR Historical Societies-RR Employee  
Magazines

Signs-Porcelain or Metal with Railroad Logo

Step Boxes-with RR Name/Logo

Timetables-Public and Employee Railroad Sched-  
ules

Wax Sealers-From Railroads or Express Companies

Model Railroad Items: HO Gauge-Brass Equip-  
ment O Gauge (2 Rail 1/4" scale), Brass

Equipment, Kits, Passenger and Freight

## **NOT BUYING:**

No Model Railroad Magazines

No Insulators, Date Nails, Tokens, Post Cards,  
Watches or Belt Buckles

**RAILROAD RELICS**  
**LARRY BUNCE**  
**201 NORTH KERCH ST.**  
**BROOKLYN, WI 53521**  
**(608) 455-4233**

EMAIL: [rrrellmb@charter.net](mailto:rrrellmb@charter.net) or  
[rrrellmb@gmail.com](mailto:rrrellmb@gmail.com)

**\*\*BUY\*\*Shows-Ebay\*\*SELL**



## PLEASE PATRONIZE OUR AREA HOBBY STORES

The Hobby Depot – 835 17<sup>th</sup> Street – Monroe WI  
Madison Hobby Stop – 6622 Mineral Point Rd (inside Clock Tower) – Madison WI \*

\* = Train Show Ticket advance sales

### SCWD 2024-2025 Meeting Schedule

#### Regular Meeting

January 5, 2025  
February 2, 2025  
March 2, 2025  
April 6, 2025  
May 4, 2025

#### BOD

January 14, 2025  
February 11, 2025  
March 11, 2025  
April 15, 2025  
May 13, 2025

#### Youth Group

January 11, 2025  
February 8, 2025  
March 8, 2025  
April 12, 2025  
May 10, 2025

### A Word about Constant Contact e-mail

Each Constant Contact e-mail includes links to update or unsubscribe your e-mail address. **Please do not use these links.** If you unsubscribe using the Constant Contact link, your e-mail address will be removed from the NMRA membership database, from the Midwest Region e-mail database and probably from your Division's records. If you get an e-mail that you don't want, just hit the delete key. Furthermore, if you use the update link, your change may not be timely posted to the NMRA membership database.

#### **If you need to change your email address with the NMRA please follow these directions:**

The direct way is to log on to the "Members" page of the NMRA website, choose the "View your NMRA membership" box on the right side of the screen, scroll down to the bottom of the page and select "Update". Enter the new email address in the appropriate box and click "Submit".