

Safe T Bar, Inc. Example Figures for Installation:

Effectiveness as a safety accessory depends entirely on secure installation.

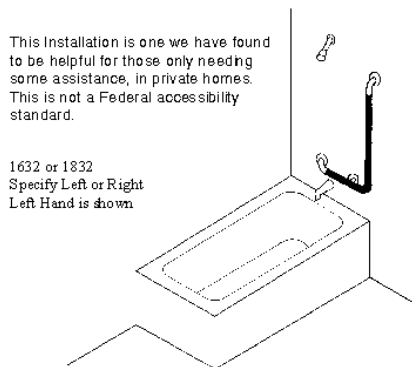
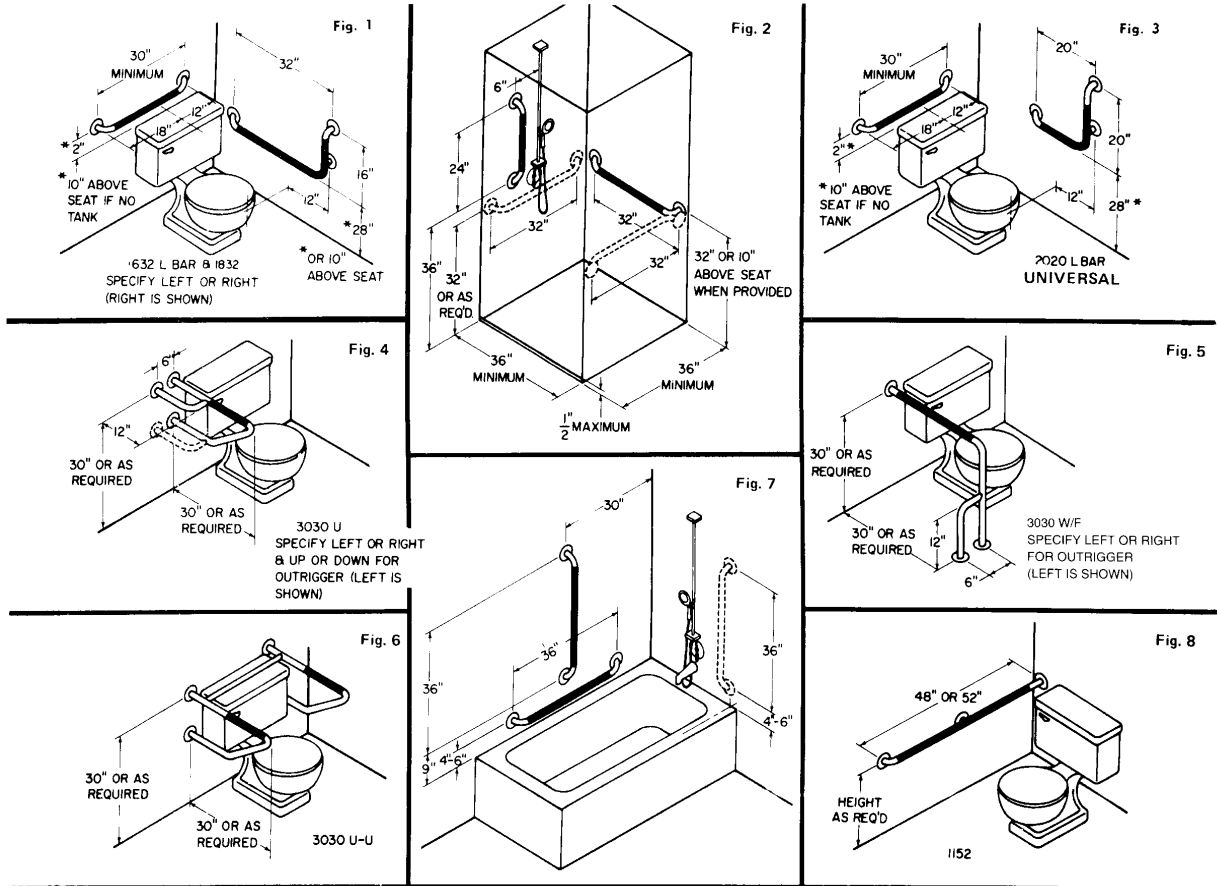
In-wall backing is required for all grab bar installation.

Maximum safety depends on both a high quality grab bar and the appropriate backing to suite specific wall condition.

Safe T Bar, Inc. grab bars exceed all ADA (American Disability Act), ANSI and federal agencies' requirements codes. (Building codes may vary state to state, please check with your local building codes for Commercial installation.)

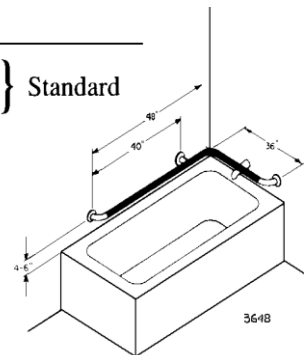
We will custom manufacture safety bars to meet special requirements, upon request.

1. The safety grab bars indicated by dotted lines are recommended for best assistance, but are not required. Figures 2 & 7
2. Figures 1 & 3 shown are for lateral transfers where open toilet rooms exist.
3. Toilet room stalls must have front of water closet and have 36" between partitions. Door width minimum is 32" wide.



TUB RAILS

24" x 48" } Standard
36" x 48" }



Questions? Please contact us at 1-800-444-8855. Safe T Bar, Inc. looks forward to the opportunity of working with you.

Safe T Bar, Inc. Grab Bars – Safety, Quality products that won't let you down. Grip Tight™ - a True Non Slip.