

Fan Curb Adapters LG to SM Order Form



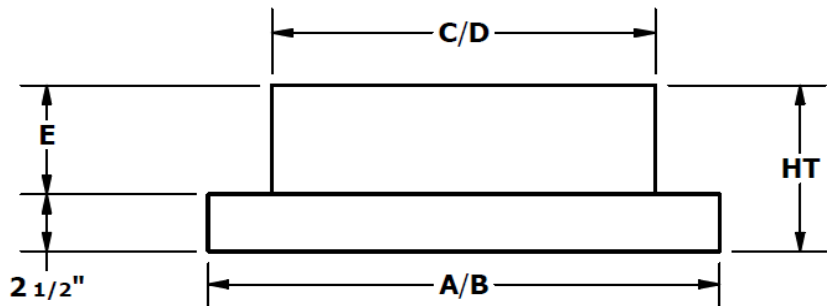
6227 147th Ave N. Suite B, Clw, FL 33760 P: (727)-532-4822 F : (727)532-4848

Page: _____ Of _____ Date: _____ Date Requested: _____

Company Name: _____ Requested By: _____

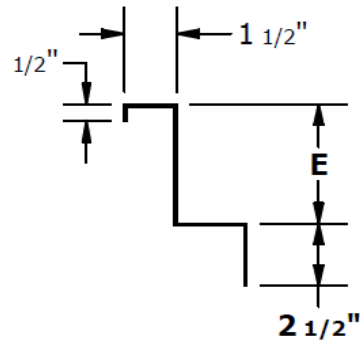
Job Number: _____ Job Name: _____

C/D = NEW FAN BASE Minus 1"

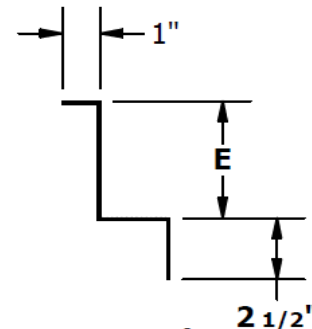


A/B = EXISTING CURB (INCLUDING ROOFING) Plus 1"

PROFILE VIEWS



GF (GREASE FAN)



EF (EXHAUST FAN)

Captive Air Hinge Kits Require (E) Dim. To Be 9"
All Other Hinge Kits (E) Dim. To Be 5"

Qty.	Type	Ga.	Mat'l	CURB SIDE		FAN SIDE		E	F	HT	INS.	TAG /NOTES	Fab	Comp.
				A	B	C	D							

Customer Sign: _____ Date: _____ HVAC Sign: _____ Date: _____