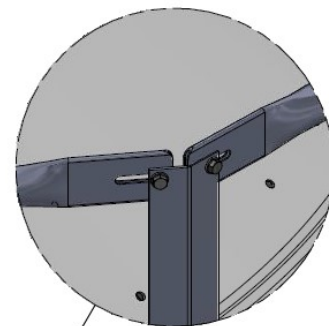
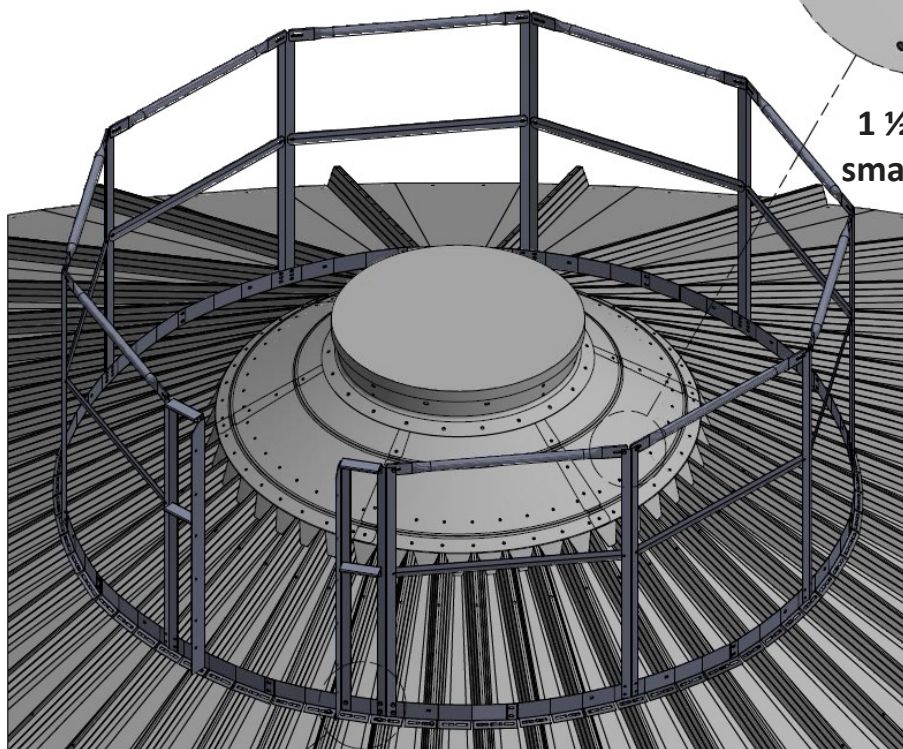


Easy Step Peak Handrail

- Mounted on a continuous ring with the post spacing pre-determined
- Ring mount foot acts as a built in kickboard
- 1 ½" tube handrail with smashed ends make for a secure and stable grip
- Installs in ¼ of the time as the Original, making the Easy Step Peak Handrail the most economical Peak Safety kit we offer

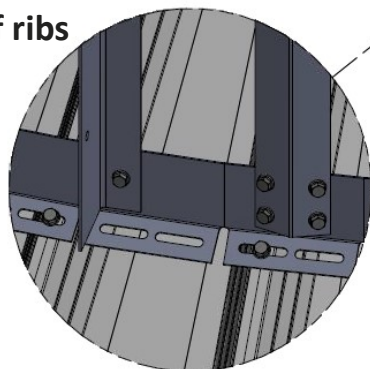


1 ½" handrail with
smashed end mount



ES61100 depicted on a 48' bin

Mounts to
roof ribs



Easy Step Peak Handrail

- Mounts directly to the top of the roof rib, which eliminates rib interference
- One entry section designed to receive the Easy Step Roof Ladder Handrail or Easy Step Roof Stairs come standard, multiple entries can be added
- Offered in 4 sizes, ranging from 7' - 13' to allow user to walk on Peak Safety rungs around the fill hole



Greene Galvanized Stairs

41774 Main Street; PO Box 191

East Lynn IL 60932

Phone: 217-375-4244 Fax: 217-375-4245

Web: www.greenestairs.com

GREENE
GALVANIZED STAIRS