



QBH Output Cable

800W to 2 kW

Our Customers Success is Our Success

SPECIFICATIONS		
Optical	Unit	Specification
Fiber	N/A	LMA-GDF-20/400-M NA0.06 BD-S50/70/360-STN NA0.22 BD-S100/120/360-STN NA0.22
Beam Diameter	μm	
Beam Elip	N/A	≥0.90
QBH Insert Losses	%	LMA-GDF-20/400-M <4% BD-S50/70/360-STN <4% BD-S100/120/360-STN <4%
Mean Output Power	W	LMA-GDF-20/400-M CW ≥800W BD-S50/70/360-STN CW ≥1500W BD-S100/120/360-STN CW ≥2000W
Operating Wavelength	nm	1060-1100
Operating Temperature	°C	Water Cooling 20-30°C
Free Fiber Length	m	>1.5

UNITED PHOTONICS LLC

Phone: 617.752.2073

Email: info@unitedPhotinics.net

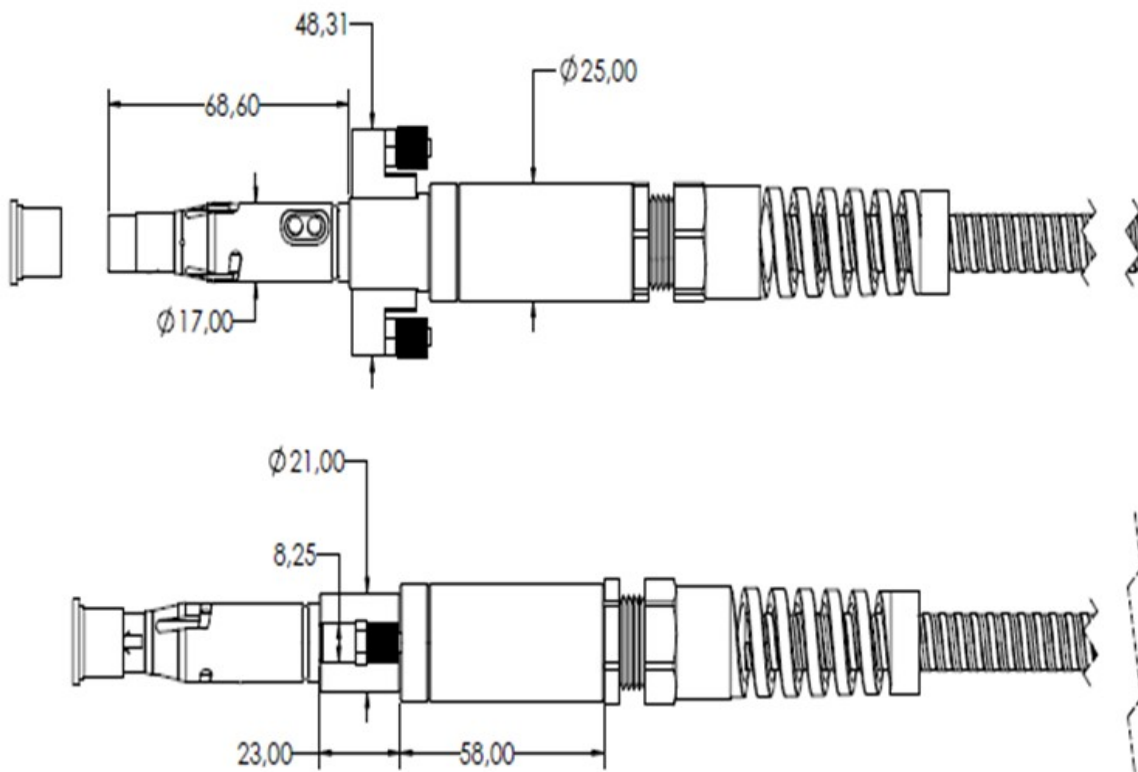
Web: www.unitedPhotonics.net



QBH Output Cable 800W to 2 kW

Our Customers Success is Our Success

	Mechanical	Specification
Cable Length	m	15±0.5
Cable Diameter	mm	13



FOR REFERENCE ONLY

UNITED PHOTONICS LLC

Phone: 617.752.2073

Email: info@unitedPhotonics.net

Web: www.unitedPhotonics.net

