

Project: \_\_\_\_\_

Type: \_\_\_\_\_ Quantity: \_\_\_\_\_

Visit us at [www.solarbollards.com](http://www.solarbollards.com)!!!



The PLB-AC Series high efficiency LED bollard is ideal for pathway, egress and public space lighting applications. The stylish, contemporary design makes it a perfect fit for any new construction, renovation, or retro-fit project that requires exceptional, full cutoff lighting performance with maximum energy savings.

Utilizing high performance LED technology and optics, the PLB-AC Series offers significant benefits:

- High efficacy and ultra-low power consumption
- Asymmetrical and symmetrical light distributions
- Full cutoff optical performance
- Maintenance free with no bulbs or ballasts to change
- Robust, vandal resistant design
- Available in Amber Turtle option

PLB-AC is part of the PLB series LED bollard family and is a compliment to the solar powered PLB version. The PLB-AC is a great solution for areas where wired power exists or site conditions don't allow for a solar powered bollard (i.e. the shaded side of a building, or under dense tree cover).

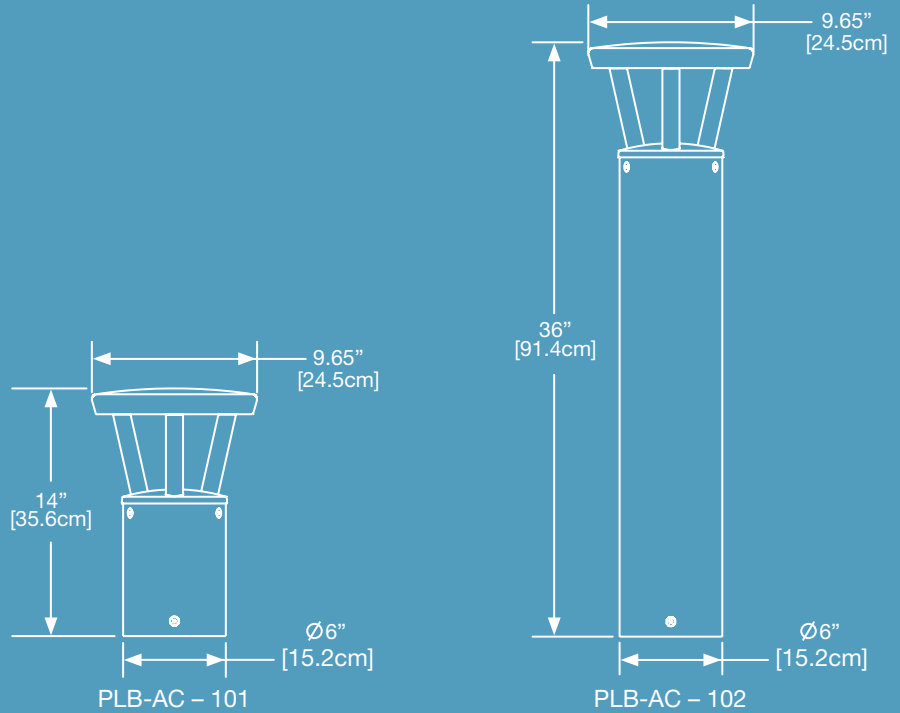
## TECHNICAL SPECIFICATIONS

- LEDs & Optics:**
- High output Cree LEDs
  - Warm (3000K), neutral (4500K) color temperatures available
  - High efficiency Type 3, 4, and 5 optical distributions
  - All distributions full cutoff
  - CRI > 70
  - L70 lumen maintenance > 115,000 hours
  - 950 lumens (at 4500K with 700mA driver)
  - Available in Amber Turtle option

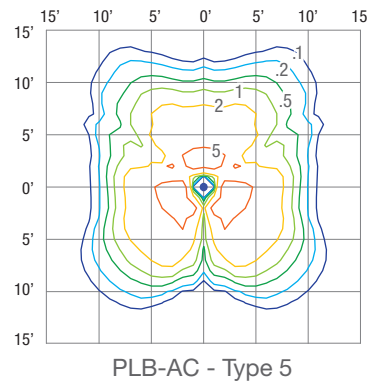
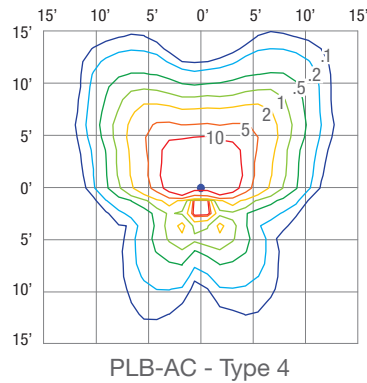
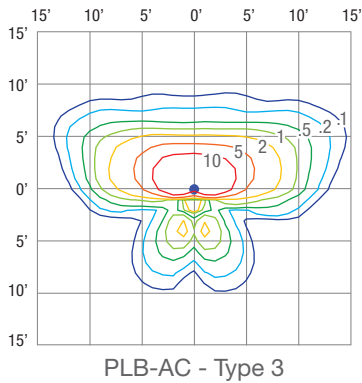
- Mechanical Construction:**
- Cast, low copper aluminum housing
  - Extruded, low copper aluminum post
  - High strength mounting base
  - Stainless fasteners with security fastener option
  - Architectural grade, super durable, TGIC powder coat
  - Four standard colors with custom colors available

- Driver:**
- 10W power consumption
  - >0.98 power factor at full load
  - 110 ~ 277 VAC, 47 ~ 63Hz input range
  - OCP, SCP, OVP protection, auto recovery
  - AC Phase - trailing-edge dimming compatible
  - >100,000 hour MTBF

- Warranty & Certification:**
- 5 year limited warranty
  - CSA C22.2 No. 250.0-08 - ANSI/ UL Standard 1598
  - ANSI/ UL Standard 8750
  - CSA C22.2 No. 250.13-14
  - LED Lighting Facts Verification Tested
  - DLC listed



**PHOTOMETRICS** (IES files available on request)



If you have any questions, please don't hesitate to call us toll free at 1.855.533.3968.

**ORDER MATRIX**

Series	Height	Finish	Distribution	LED Color	Voltage	Options
PLB-AC	101 - 14"	BK - Black	ASM - Type 3	30K - 3000K	UV7 - Universal Voltage (700mA)	SEC - Security Fasteners
	102 - 36"	BZ - Bronze	FT - Type 4	43K - 4500K		AMB - Amber Turtle
		SV - Silver	SYM - Type 5			PA - Pre-Ship Anchor Bolts
		WH - White				
		CC - Custom				

Notes:  
 - Specifications subject to change without notice  
 - All light levels in foot candles (fc) with 4500K color temperature and 950 lumen output  
 - To convert to lux multiply light level by 10.7

