

2025 BC-8 'CLASSIC' SW & DW

BY BCROASTERS.COM



THE BEST OF THE CLASSIC ROASTERS!

THE 2025 BC-8 CLASSIC COMMERCIAL GAS ROASTER KEEPS ALL THE GREAT FEATURES THAT GIVE ROASTMASTERS THE EDGE TO DEVELOP THE ART OF ROASTING WITH GREATER EASE & MORE CONTROL. AND ALL THESE FEATURES COME STANDARD AT NO EXTRA COST.

ADD ALL THE ABOVE TO THE MANY PREVIOUS FEATURES WE HAVE ADDED OVER THE LAST SEVERAL YEARS AND YOU HAVE THE MOST ADVANCED BC-8 ROASTER AVAILABLE.

THE BC-8 HD COMES IN BOTH SINGLE & DOUBLE WALL MODELS. THESE ARE GREAT FOR A COFFEE SHOP & WHOLESALE OR RETAIL COFFEE BUSINESS. THE SINGLE WALL MODEL CAN ROAST FROM TO 2-8LB. ROASTS. THE DOUBLE WALL MODEL CAN DO SAMPLES DOWN TO ONE POUND ROASTS. THESE ROASTERS CAN DO UP TO 5 ROASTS PER HOUR. THEY ARE CAPABLE OF ROASTING AROUND 250-300LB. OF FINAL PRODUCT PER DAY. THE BC-8 HAS ALL THE FEATURES MOST COMPANIES CHARGE EXTRA FOR BUILT INTO THE BASE PRICE. THE BC-8 MODEL COMES WITH THE ADVANCED AND PRECISE AIRFLOW CONTROL VIA THE MDDS (MANUAL DAMPER) SYSTEM AS WELL AS THE NEW ELECTRONIC AIR-FLOW CONTROLLER & MANY NEW SAFETY FEATURES. SOLID HEAVY-DUTY STAINLESS STEEL DRUM AND BUILT IN PROFILING SYSTEM FOR BT & ET. DIRECT-CONNECT CHAFF UNIT FOR EFFICIENCY & REDUCED FOOTPRINT. COMES IN LP GAS WITH OPTION TO CONVERT TO NG. THESE ARE OUR MOST HEAVY DUTY BC-8'S TO DATE!

CREATE YOUR ART AS YOU DEVELOP YOUR COFFEE PROFILES AND

“GET YOUR ROAST ON!”

BC-8MD	GAS TYPE
Batch Size	2-8lb.
Roasting Time	9-14 minutes
Production	32-40lb.hr
Heat Source	NG/LPG
Voltage	220V
Wattage	580W
Drum Motor	200W
Chaff Fan Motor	60W
Cooling Fan Motor	200W
MIXING ARM	60W
BTU	60,000
NG PRESSURE	7-14WC
LPG PRESSURE	MAX. 16-20WC
Gas Consumption	0.6kg/hr
Roaster Dim.	52x34x62”
Roaster Weight	628lb.
Package Dimensions	55x46x60 850LB.

FEATURES

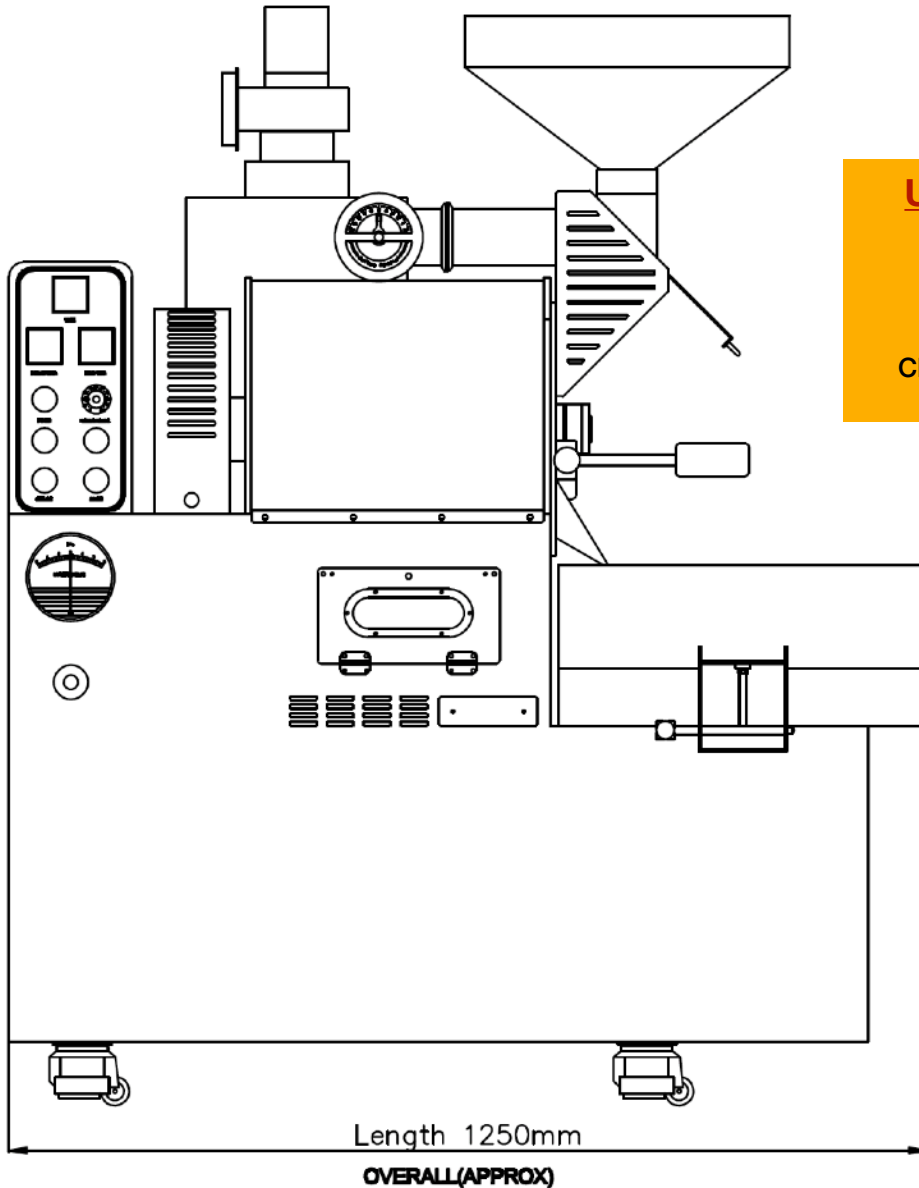
**DRUM TYPE
DATA LOGGING
THERMOCOUPLES
CONTROL PANEL
WARRANTY
PARTS AVAILABLE
110V CONVERTER**

Single or DW 304SS Drum
2 OMRON CONTROLS w/BT & ET
3mm K-TYPE for BT & ET
BT & ET VEIW ON PANEL
1 YEAR PARTS & INSTRUCTION
10 Year Parts Available Guarantee
110V Voltage Converter (plug into
110-120V outlets)

THE 2025 BC-8 HD IS A HEAVY DUTY COMMERCIAL COFFEE ROASTER BUILT WITH A HEAVY DUTY CARBON STEEL BODY WITH APPROVED POWDER COAT HIGH TEMPERATURE BODY IN BLACK, RED OR WHITE & PURPLE. THE HOUSINGS COME IN A CHOICE OF SEVERAL COLORS.

TWO EXHAUST PIPES COMES OFF UNIT:
THE 2025 MODEL HAS A *4" CHAFF PIPE CONNECTION.
THE PIPE OFF *COOLING TRAY IS A 5" SIZE ALLOWING YOU TO USE A PIPE REDUCER AND RUN 6" PIPING OFF THE COOLING TRAY FOR FAST COOLING OF BEANS.
***SIZE SUBJECT TO CHANGE IF MOTORS ARE UPDATED. SEE CUSTOMER SUPPORT BEFORE ORDERING VENTING**

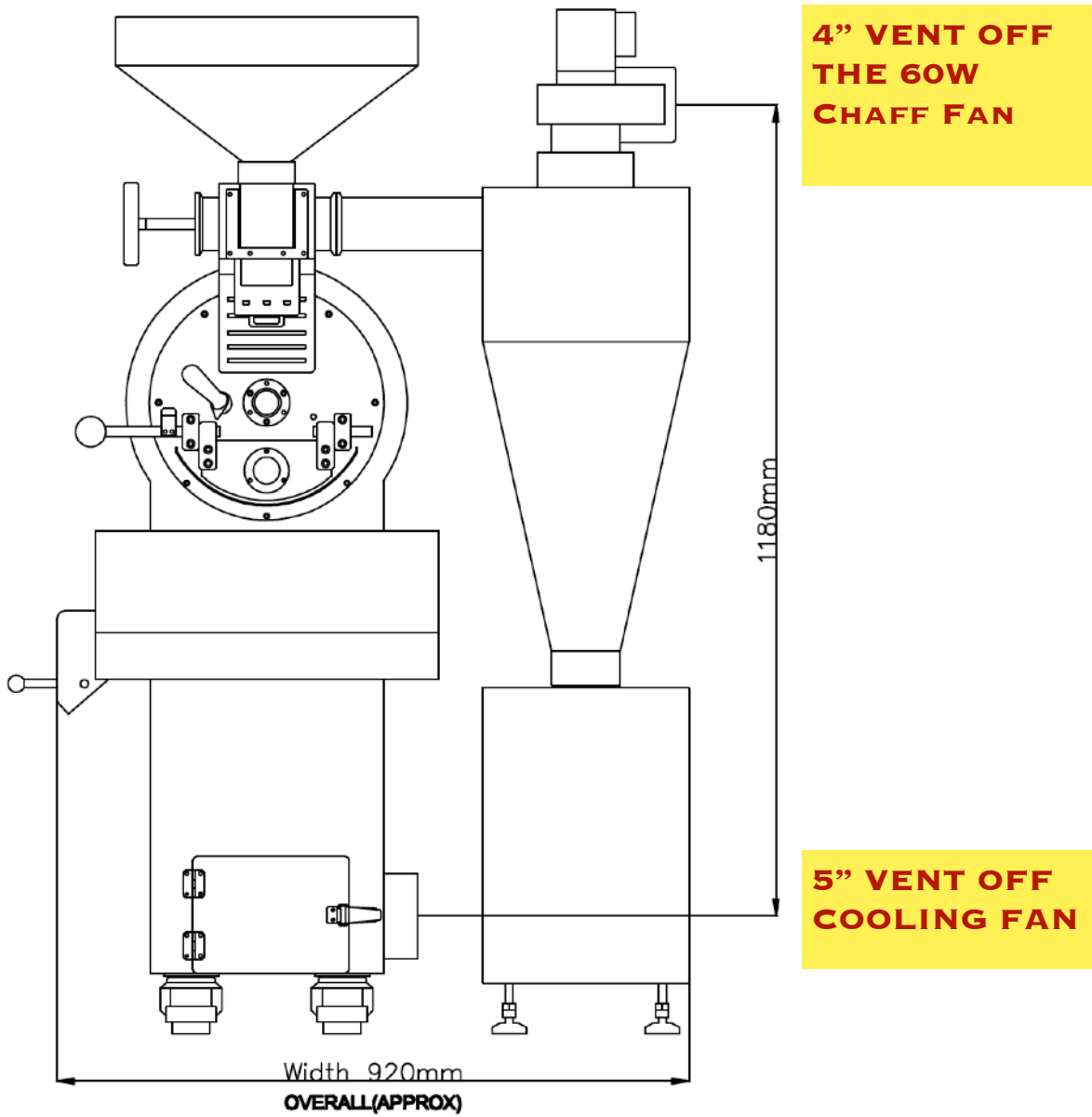
EACH AND CAN BE EXHAUSTED OUT OF BUILDING SEPARATELY OR CONNECTED USING A BLAST OR BACKDRAFT DAMPER OFF THE COOLING TRAY VENT TO PREVENT SMOKE BACKUP INTO COOLING TRAY WHEN ROASTING.



**UPDATED 2025 DRAWINGS
SHOW SIZE OF BC-8**

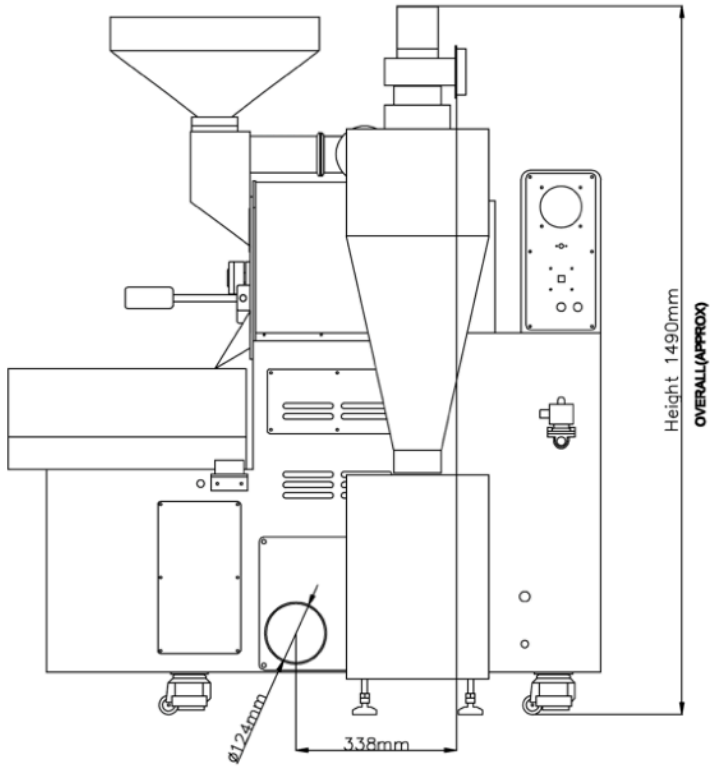
**1250x920x1490mm
50x37x59in.**

Chaff Unit comes be removed to get unit through a standard doorway



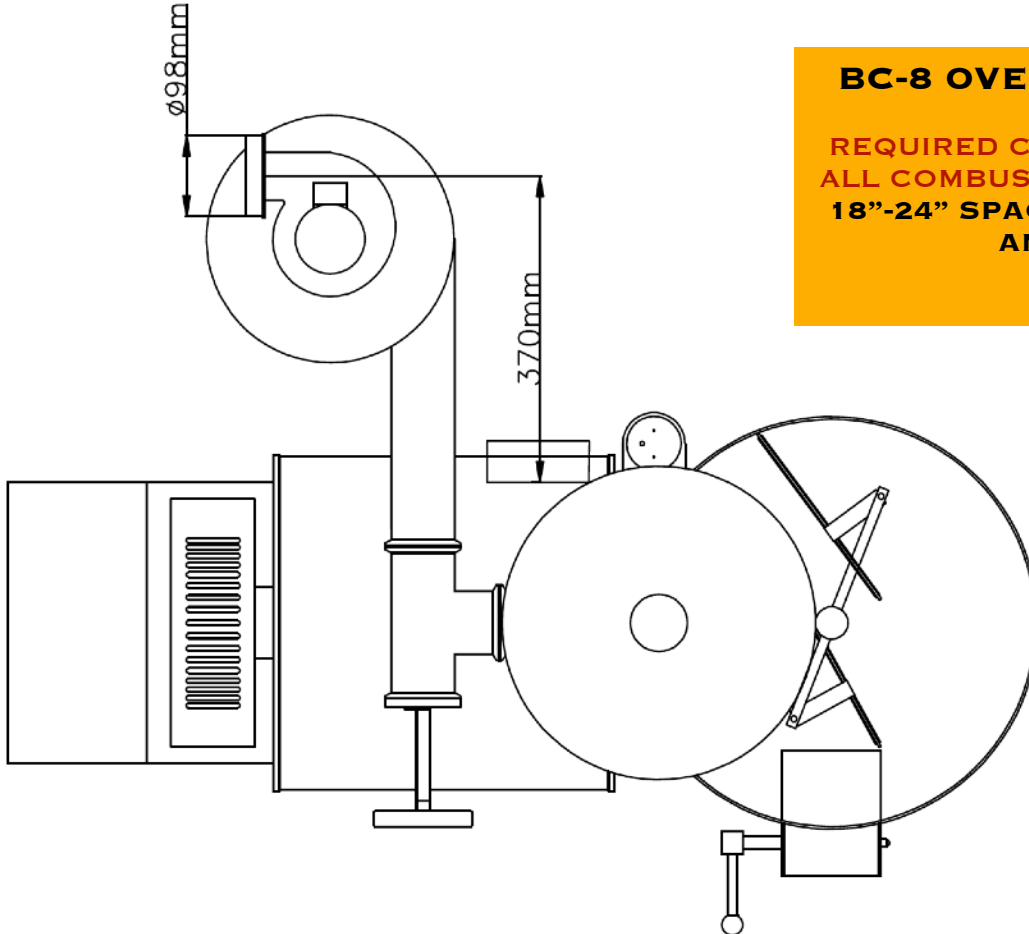
**IN 2022 WE ADD HEAVY DUTY
CHAFF FANS & HD GAS GAUGES
TO HELP LOWER MAINTENANCE
& INCREASE PRODUCTION!**





BC-8 FEATURES A 60W CHAFF FAN WITH A 4" PIPE CONNECTION

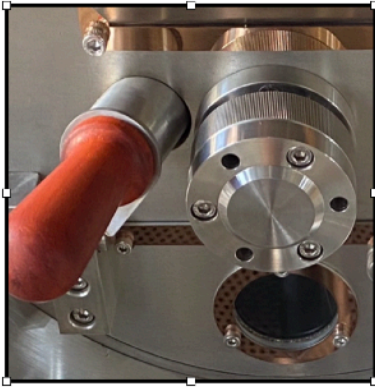
THE COOLING TRAY VENTING IS A 5" VENT SO YOU CAN USE A 6 TO 5 INCH REDUCER PIPE TO RUN 6" VENTING OUT OF BUILDING



BC-8 OVERHEAD VIEW:

REQUIRED CLEARANCE FROM ALL COMBUSTABLE SURFACES 18"-24" SPACE ON ALL SIDES AND TOP

SOME STANDARD KEY FEATURES INCLUDED:



NEW FRONT BEARING SYSTEM



EASY ACCESS BELT COVER



NEW DRUM SHAFT WHEEL



NEW NECK & HOPPER RELEASE



NEW PRECISE ELECTRONIC AIRFLOW CONTROL



FRONT BURNER ROOM DOOR



NEW CIRCUIT BREAKER SYSTEM

PLUS NEW BLUETOOTH DIRECT CHIP FOR ARTISAN!



ALL BC ROASTERS OFFER THE MAG AIRFLOW CONTROL GAUGE

PLUS MANY MORE STANDARD FEATURES

ALL INCLUDED AT NO EXTRA COST TO YOU!



NEW IGNITER SYSTEM AS OF 2024

**BC-8 CLASSIC COLOR CHOICES:
COLOR CHOICES**

**BODY COLORS: BLACK, RED, PURPLE, WHITE
HOUSING COLORS & TEXTURES:**

**SOLID: ROSE GOLD, BLACK TITANIUM, STAINLESS,
PURPLE**

**TEXTURED: CHECKERED GOLD, BLACK OR SILVER
PURPLE, SILVER OR ROSE GOLD RAINDROP
HAMMERED GOLD OR PURPLE**

*** REQUEST A COLOR CHART FOR HOUSING COLORS**

BC-8 COMMERCIAL COFFEE ROASTER	
	<ul style="list-style-type: none"> *FLOOR MODEL WITH CASTER WHEELS *DIRECT CONNECT CHAFF UNIT FOR SMALLER FOOTPRINT *CHOICE GAS MODELS
SIZE (LxWxH)	50x37x59" (INCLUDES DIRECT CONNECT CHAFF UNIT IN MEASUREMENT)
WEIGHT	628LB
MINIMUM CLEARANCE FROM COMBUSTABLE MATERIALS	18-24"
ROASTING CAPACITY	2-8LB SINGLE WALL 1LB TO 8LB DOUBLE WALL
ROAST TIME & ROASTS PER HOUR	9-14 MINUTES (5 ROASTS PER HOUR)
DRUM INFORMATION	<p>SW DRUM: 5MM SUPERIOR 304SS CONTAINS 18% CHROMIUM AND 8% NICKEL</p> <p>DW DRUM: HAS TWO LAYERS OF 3MM + 2MM 304SS WITH 6MM OF AIR CUSHION. SS WELDING (TOTAL 11MM THICK)</p>
ELECTRIC STATS:	GAS MODEL: SINGLE PHASE 220V 50/60HZ 610W REQUIRES STANDARD 15A BREAKER
ELECTRICAL PLUG TYPE	GAS MODELS: 20A 250V 3 WIRE NEMA 6-20P
FUEL CHOICES ON GAS MODELS	LPG GAS STANDARD WITH MODELS. NATURAL GAS CONVERSION KITS OFFERED FOR CUSTOMER INSTALLATION ONLY.
BURNER INFORMATION ON GAS MODELS	2020 BURNERS: 12 STANDARD HD BURNERS 2021 MODELS 12 IN SW & 15 DW STANDARD HD BURNERS
BTU REQUIRMENTS	60,000 BTU MINIMUM REQUIRED FOR NG LINE
GAS PRESSURE	<p>LPG: 12-16WC (3-4KPA) MARSHALL 1912/197 REGULATOR RECOMMENDED</p> <p>NG: 7-14WC</p>

EXHAUST SETUP	
EXHAUST PIPE REQUIREMENTS	POSITIVE PRESSURE EXHAUST VENTING WITH MINIMUM CLEARANCE 18-24" FROM COMBUSTABLE MATERIALS RATED 500F MINIMUM
MAXIMUM VENTING LENGTHS	20' FROM CHAFF UNIT. DEDUCT 3-5' FOR 45-90 DEGREE PIPE ELBOWS. IF YOU MUST VENT AT LONGER LENGTHS CONSULT A LOCAL TECHNICIAN ON USE OF POSSIBLE BOOSTER FANS
MAXIMUM EXHAUST TEMPERATURES	425-475F
CHAFF UNIT HIGH TEMP.	300-350F
COOLING TRAY HIGH TEMP.	200F
DATA LOGGING VIA ARTISAN OR CROPSTER	BUILT IN DATA LOGGER ATTACHES TO COMPUTER (PC OR MAC) VIA USB OR BLUETOOTH
K TYPE THERMOCOUPLES	BT & ET WITH TWO ADDITIONAL PREDRILLED CAPPED THREADED HOLES TO ADD OR ADJUST LOCATION OF PROBES
MANUFACTURED IN CHINA FOR BC ROASTERS	CUSTOM BUILT FOR BC SPECS IN USA AND OVER 200 LANDS

COMPUTER DATA LOGGING VIA ARTISAN SOFTWARE

RECORD ROASTS VIA USB OR BLUETOOTH TO DUPLICATE PROFILES USING ARTISAN SOFTWARE.



BUCKEYE COFFEE IS A PROUD MONTHLY SPONSOR OF ARTISAN SOFTWARE

ARTISAN SOFTWARE
Do your part to Keep Artisan Alive and Well.
Donate to Artisan Here:
<https://artisan-scope.org/donate/>
DO YOUR PART!

CONSIDER ARTISAN PLUS
<https://shop.artisan.plus>



artisan





FOR MORE INFORMATION SEE:

BCROASTERS.COM

WWW.BUCKEYECOFFEE.COM

**BC ROASTERS
BUCKEYE, ARIZONA 85326
TONOPAH, ARIZONA 85354**

**TOLL FREE: 844.522.6333
INFO@BCROASTERS.COM**

