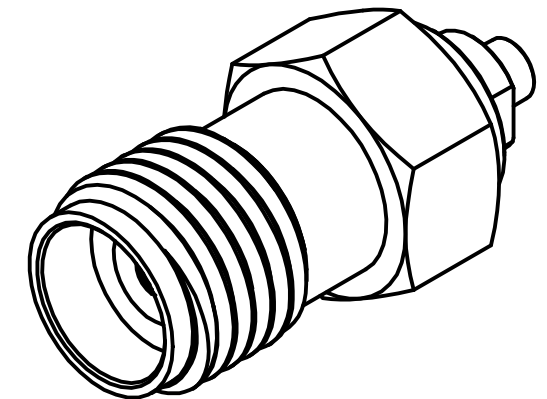
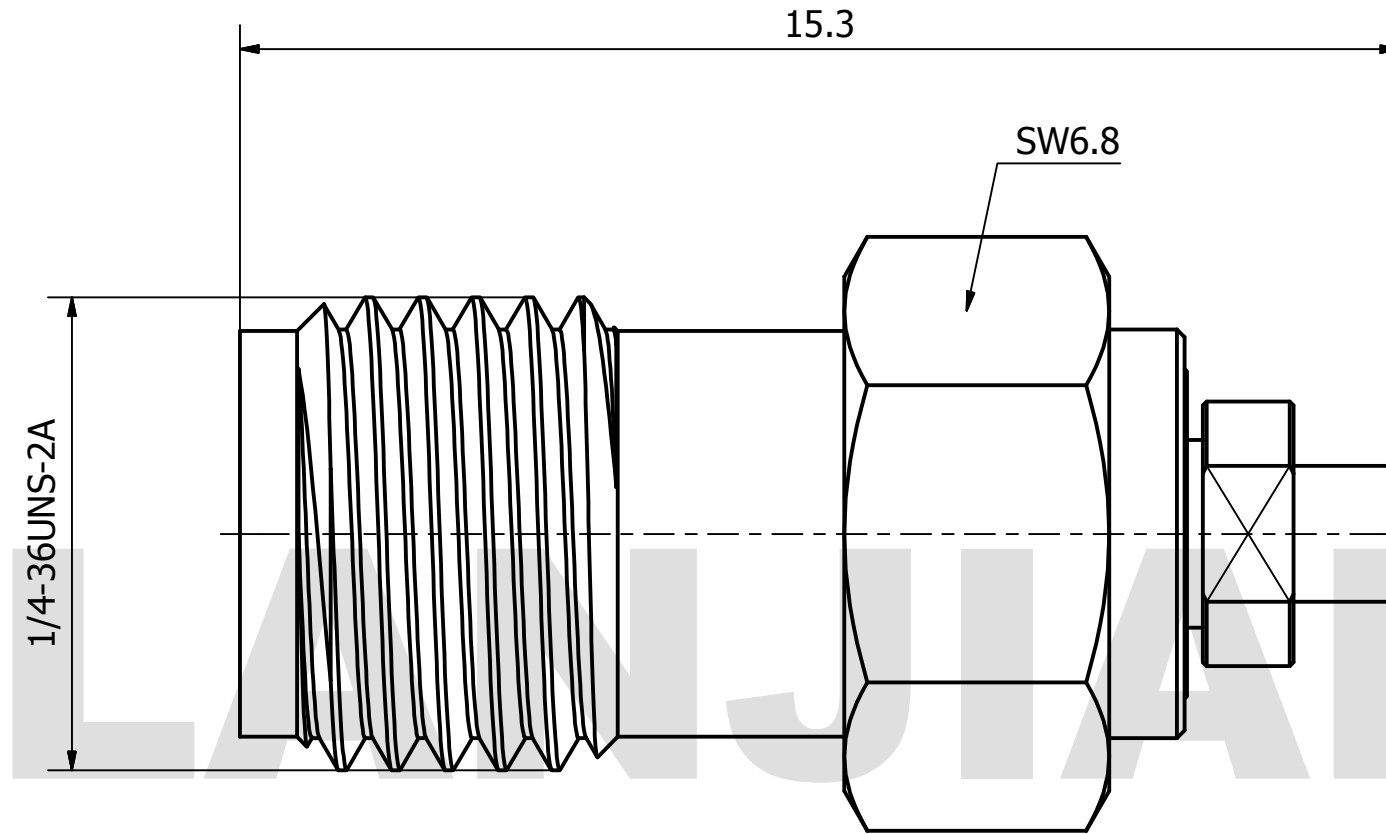


PRODUCT DATA SHEET



MATERIAL:

BODY: STAINLESS STEEL PER AMS-5640,
ALLOY UNS S30300
BRASS PER ASTM B16,
ALLOY NO. UNS C36000

CONTACT: BERYLLIUM COPPER PER ASTM B196.

INSULATOR: PEI

PERFORMANCE:

IMPEDANCE: 50 OHMS

FREQUENCY: DC TO 40 GHz

VSWR: ≤ 1.35

THIS DOCUMENT CONTAINS CONFIDENTIAL AND PROPRIETARY INFORMATION THAT CANNOT BE REPRODUCED OR DIVULGED, IN WHOLE OR IN PART, WITHOUT WRITTEN AUTHORIZATION FROM "LANJIAN ELECTRONICS"	MATERIAL :			<p style="font-size: 8px;">38 Hengtong Road, Xinqu Dingmao Zhenjiang, 212009, Jiangsu, P. R. China</p>
	UNLESS OTHERWISE SPECIFIED: DIMENSIONS IN MM			
	TOLERANCES :			
	X.X ± 0.20	ANGULAR : ± 1°	DEBURR AND BREAK SHARP EDGES	<p style="font-size: 12px; margin: 0;">2.92-K047</p> <p style="font-size: 14px; margin: 0;">straight jack connector</p>
	X.XX ± 0.10	FILLETS R/C : ± 0.10		
	X.XXX ± 0.01	SURFACE FINISH : Ra 1.6		
SIGNATURE				
DRAWN	YaoJiang	01/23/2019	DWG No. GCPZ3.660.C.037	
CHK'D	HongZhongYan	01/23/2019		REV. A
APPV'D	HongZhongYan	01/23/2019	DO NOT SCALE THE DRAWING	
MFG				PAGE 1 / 1
PROJECTION		SIZE	SCALE	
		A3	10 : 1	