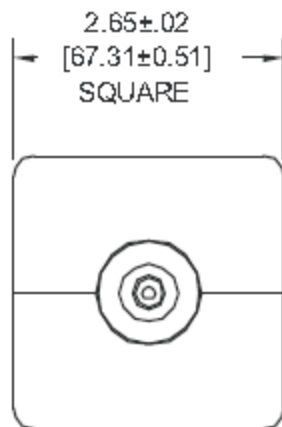


**SPECIFICATIONS:**

Impedance: 50 Ohm  
 Frequency: DC-18 GHz  
 Input Power: 25 Watts Avg. @ 25°C  
 Peak Power: 500 Watts  
 Operating temp. : -65°C – +125°C

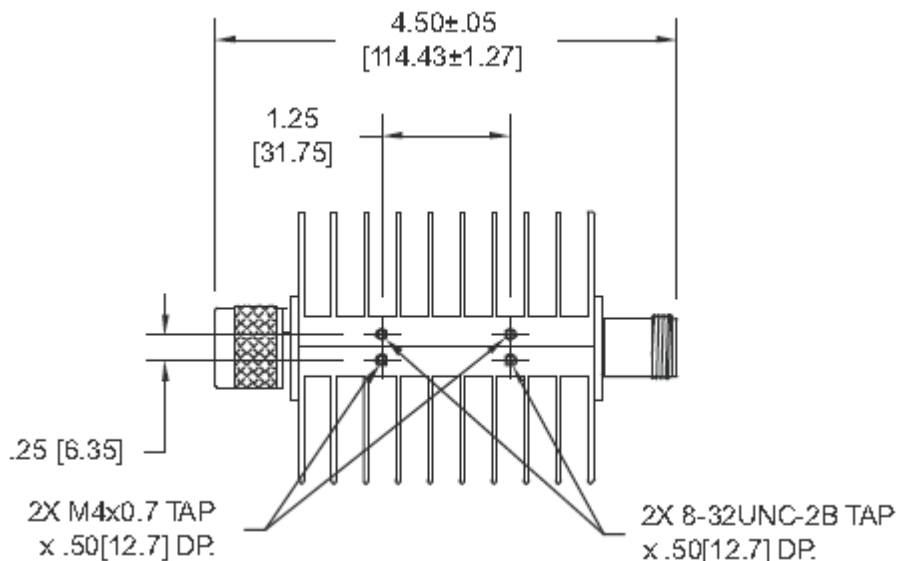
Standard dB Values: 3, 6, 10, 20, 30, & 40 dB

Attenuation Accuracy:	DC-6 GHz	6-12.4 GHz	12.4-18 GHz
3-6 dB	±0.30 dB	±0.50 dB	±0.75 dB
7-20 dB	±0.50 dB	±0.75 dB	±1.00 dB
21-30 dB	±0.75 dB	±1.00 dB	±1.25 dB
31-40 dB	±1.00 dB	±1.25 dB	±1.50 dB



END VIEW  
TYPICAL

Part	Material	Plating
Type N Connectors	Stainless Steel	Passivated
Center Contacts	Beryllium Copper	Gold
Housing	Aluminum	Anodized



*Units must be mounted in such a way as to allow for free air flow around fins to insure performance.*

Dimensions are for reference only, and are subject to change without notice.



**Premier RF**

17 Roslyn CT  
Patchogue, NY 11772

PH: 631-447-3804

**PART NUMBER**

**PRF-AT22518-XX**

**DESCRIPTION**

**TYPE N ATTENUATOR, M/F  
DC-18 GHz, 25 WATT**

8/23/2013

APPROVED

A. Ianacci