

# Sustainable Coils LLC

## Replacement Coil Solutions!

### Carrier/Bryant/ICP F-series Air Handler replacement coils

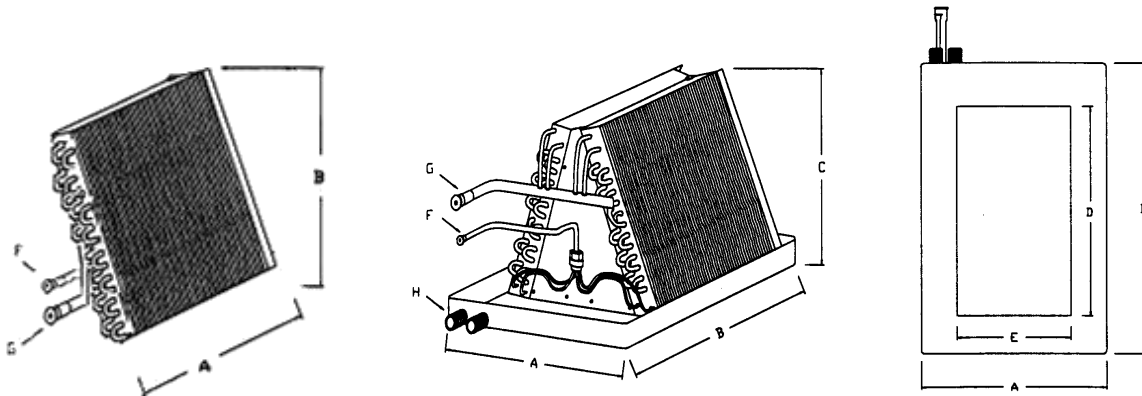
Revision Date: 02/02/2020

SLOPE MODEL	COIL WEIGHT	Face Area	Rows	G	B	F	G
<b>**218S18</b>	<b>17</b>	<b>2.23 sq ft</b>	<b>2</b>	<b>21"</b>	<b>18"</b>	<b>3/8</b>	<b>3/4</b>
<b>318S2430</b>	<b>18</b>	<b>2.23 sq ft</b>	<b>3</b>	<b>21"</b>	<b>18"</b>	<b>3/8</b>	<b>3/4</b>
<b>324S3036</b>	<b>24</b>	<b>2.97 sq ft</b>	<b>3</b>	<b>21"</b>	<b>24"</b>	<b>3/8</b>	<b>3/4</b>
<b>328S3642</b>	<b>28</b>	<b>3.46 sq ft</b>	<b>3</b>	<b>21"</b>	<b>28"</b>	<b>3/8</b>	<b>7/8</b>

\*\* Denotes limited stock item, please contact factory for availability

All slope coils have the following characteristics in common:

- Pre-punched brackets to accept coil support columns
- Pre-installed side block off baffles for proper fit
- Pre-installed coil top seal
- Line sets positioned to fit access panel location



A-coil pictured above for dimensional use only and does not accurately depict liquid and suction line location.

"A" MODEL	COIL WEIGHT	A	B	C	D	E	F	G	H
<b>*314A2430</b>	<b>34</b>	<b>15 3/4</b>	<b>20 5/8</b>	<b>14 1/2</b>	<b>16</b>	<b>9 3/4</b>	<b>3/8</b>	<b>3/4</b>	<b>3/4</b>
<b>*318A4248</b>	<b>37</b>	<b>19 1/4</b>	<b>20 5/8</b>	<b>18 1/2</b>	<b>16</b>	<b>13 1/4</b>	<b>3/8</b>	<b>7/8</b>	<b>3/4</b>
<b>*324A4860</b>	<b>46</b>	<b>19 1/4</b>	<b>20 5/8</b>	<b>24 1/2</b>	<b>16</b>	<b>13 1/4</b>	<b>3/8</b>	<b>7/8</b>	<b>3/4</b>
<b>*324A4860W</b>	<b>49</b>	<b>22 3/4</b>	<b>20 5/8</b>	<b>24 1/2</b>	<b>16</b>	<b>16 1/4</b>	<b>3/8</b>	<b>7/8</b>	<b>3/4</b>
<b>424A60+2X (+4X)</b>	<b>54</b>	<b>22 3/4</b>	<b>20 5/8</b>	<b>24 1/2</b>	<b>16 1/2</b>	<b>14 1/4</b>	<b>3/8</b>	<b>7/8</b>	<b>3/4</b>

\*A-coil top baffle sized to accept horizontal top seal from replaced coil

Metal pan coated for rust protection, drains match air handler access panel location

Drain pan equipped with coil brackets for proper mounting

UNIGUARD® by Virtus Precision Tube, 3/8" O.D. 422 copper alloy tubing

All coils utilize aluminum end plates for rust reduction

All coils maintain proper Internal Refrigerant Volumes for heat pump compatibility

All suction and liquid lines placed to air handler access panel location

Line sets pre-swaged, coils shipped with dry nitrogen holding charge

Five year replacement warranty

For printable line art and cross reference utilization chart PDF please visit our website at [www.SustainableCoils.com](http://www.SustainableCoils.com).