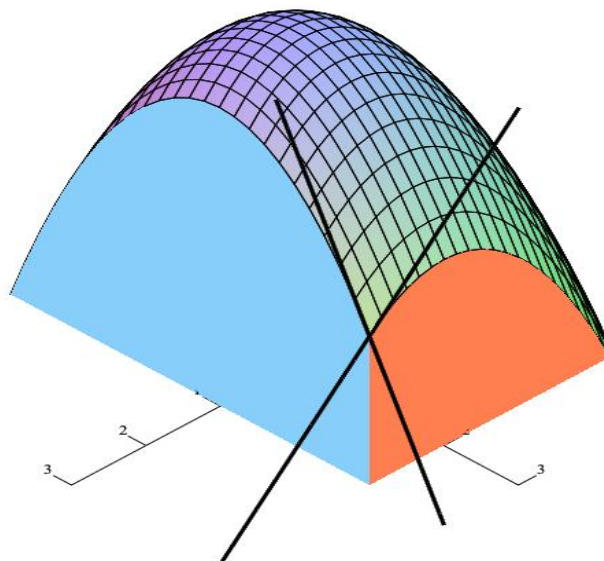


Calculus 3 - Surface Integrals over Vector Fields

Recall the section on the tangent plane. We created two vectors with two tangent lines. If the surface is $z = f(x, y)$ then the tangent vectors are

$$\vec{u} = \langle 1, 0, f_x \rangle, \quad \vec{v} = \langle 0, 1, f_y \rangle. \quad (1)$$

We evaluate these at some point (a, b) .



We now cross these two vectors to get the normal so

$$\vec{n} = \begin{vmatrix} \vec{i} & \vec{j} & \vec{k} \\ 1 & 0 & f_x(a, b) \\ 0 & 1 & f_y(a, b) \end{vmatrix} = \langle -f_x(a, b), -f_y(a, b), 1 \rangle. \quad (2)$$

The equation of the tangent plane is then (where $c = f(a, b)$)

$$-f_x(a, b)(x - a) - f_y(a, b)(y - b) + (z - c) = 0 \quad (3)$$

or

$$f_x(a, b)(x - a) + f_y(a, b)(y - b) - (z - c) = 0. \quad (4)$$

If the surface is given implicitly, say by $G(x, y, z) = 0$, then the partial derivatives are given as

$$z_x = -\frac{G_x}{G_z}, \quad z_y = -\frac{G_y}{G_z} \quad (5)$$

and the equation of the tangent plane is

$$-z_x(z, b)(x - a) - z_y(a, b)(y - b) + (z - c) = 0 \quad (6)$$

or

$$G_x(a, b, c)(x - a) + G_y(a, b, c)(y - b) + G_z(a, b, c)(z - c) = 0 \quad (7)$$

Unit Normal to Surface

We now define the unit normal \vec{N} to a surface given by $G(x, y, z) = 0$ as

$$\vec{N} = \frac{\nabla G}{\|\nabla G\|} \quad (8)$$

where the gradient of G is given by $\nabla G = \langle G_x, G_y, G_z \rangle$. We can also orient the normal as to point outward or inward and would simply multiply (8) by -1 .

Example 1. Find the unit normal to the unit sphere

$$x^2 + y^2 + z^2 = 1 \quad (9)$$

Here $G = x^2 + y^2 + z^2 - 1$ so $\nabla G = \langle 2x, 2y, 2z \rangle$

$$\|\nabla G\| = \sqrt{4x^2 + 4y^2 + 4z^2} = \sqrt{4(x^2 + y^2 + z^2)} = 2 \quad (10)$$

and the unit normal is $\vec{N} = \frac{\langle 2x, 2y, 2z \rangle}{2} = \langle x, y, z \rangle$.

Flux

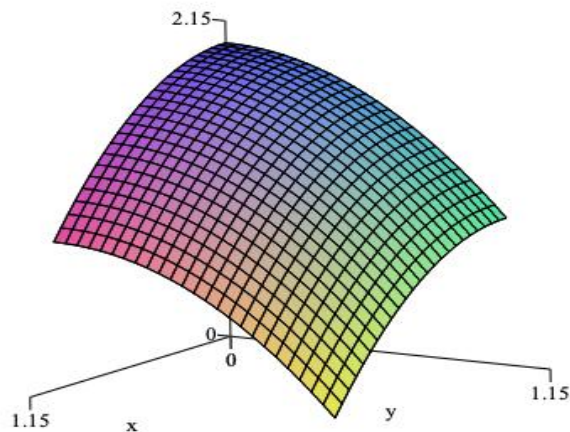
One of the principal applications of surface integrals over vector fields is fluid flow through a surface. Consider an oriented surface S submerged in a fluid having a continuous velocity field \vec{F} . Let dS be a small area on the surface over which \vec{F} is nearly constant. Then the amount of field crossing this surface per unit time is approximated by $\vec{F} \cdot \vec{N}dS$ and adding up the element gives

$$\iint_S \vec{F} \cdot \vec{N}dS. \quad (11)$$

Defⁿ If \vec{F} is a continuous vector field defined on an oriented surface S with unit normal \vec{N} , then the surface integral of \vec{F} over the surface S is given by

$$\iint_S \vec{F} \cdot \vec{N}dS \quad (12)$$

which is called the *Flux of \vec{F} across S* .



Example 2. Taken from a Berkeley midterm.

Find the flux \vec{F} across S where $\vec{F} = \langle x, y, z \rangle$ and the surface S is the boundary of the solid enclosed by the plane $x + y + z = 1$ and the xy , xz and yz planes.

Soln: First we find the unit normal. Since the surface is given as $x + y + z = 1$ we create G as $G = x + y + z - 1$. So $\nabla G = \langle 1, 1, 1 \rangle$ and the unit normal is given by

$$\vec{N} = \frac{\nabla G}{\|\nabla G\|} = \frac{\langle 1, 1, 1 \rangle}{\sqrt{3}}. \quad (13)$$

Next, we calculate dS . Since the surface is given by $z = 1 - x - y$ then

$$dS = \sqrt{1 + f_x^2 + f_y^2} dA_{xy} = \sqrt{1 + 1 + 1} dA_{xy}. \quad (14)$$

Now the flux integral becomes

$$\begin{aligned} \iint_S \vec{F} \cdot \vec{N} dS &= \iint_{R_{xy}} \langle x, y, z \rangle \cdot \frac{\langle 1, 1, 1 \rangle}{\sqrt{3}} \sqrt{3} dA_{xy} \\ &= \iint_{R_{xy}} (x + y + z) dA_{xy} \\ &= \iint_{R_{xy}} 1 dA_{xy} \\ &= \int_0^1 \int_0^{1-x} 1 dy dx \\ &= \int_0^1 y \Big|_0^{1-x} dx \\ &= \int_0^1 (1 - x) dx \\ &= x - \frac{1}{2}x^2 \Big|_0^1 = \frac{1}{2} \end{aligned} \quad (15)$$

Example 3.

Find the flux \vec{F} across S where $\vec{F} = \langle y, x, z \rangle$ and the surface S is the boundary of the solid enclosed by the paraboloid $z = 1 - x^2 - y^2$ and the plane $z = 0$.

Soln: First we find the unit normal. Since the surface is given as $z = 1 - x^2 - y^2$ we created G as $G = x^2 + y^2 + z - 1$. So $\nabla G = \langle 2x, 2y, 1 \rangle$ and the unit normal is given by

$$\vec{N} = \frac{\nabla G}{\|\nabla G\|} = \frac{\langle 2x, 2y, 1 \rangle}{\sqrt{1 + 4x^2 + 4y^2}}. \quad (16)$$

Next, we calculate dS . Since the surface is given by $z = 1 - x^2 - y^2$ then

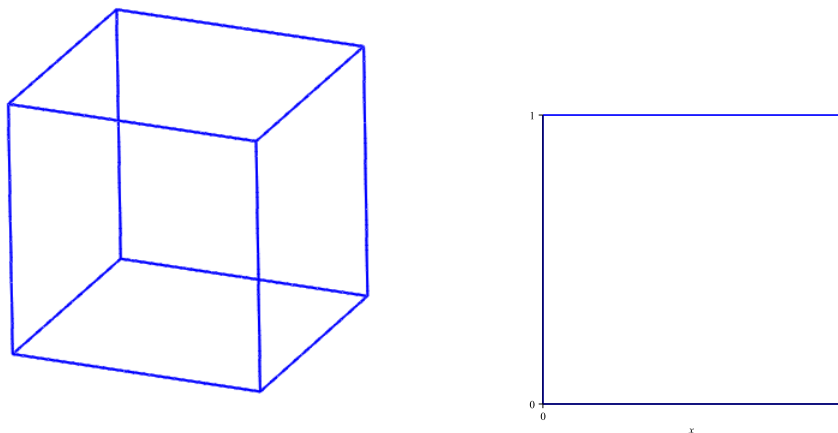
$$dS = \sqrt{1 + f_x^2 + f_y^2} dA_{xy} = \sqrt{1 + 4x^2 + 4y^2} dA_{xy}. \quad (17)$$

Now the flux integral becomes

$$\begin{aligned} \iint_S \vec{F} \cdot \vec{N} dS &= \iint_{R_{xy}} \langle y, x, z \rangle \cdot \frac{\langle 2x, 2y, 1 \rangle}{\sqrt{1 + 4x^2 + 4y^2}} \sqrt{1 + 4x^2 + 4y^2} dA_{xy} \\ &= \iint_{R_{xy}} (4xy + z) dA_{xy} \\ &= \iint_{R_{xy}} (4xy + 1 - x^2 - y^2) dA_{xy} \\ &= \int_0^{2\pi} \int_0^1 (4r^2 \sin \theta \cos \theta + 1 - r^2) r dr d\theta \\ &= \frac{\pi}{2} \end{aligned} \quad (18)$$

Example 4. Taken from John Hopkins University.

Find the flux \vec{F} across S where $\vec{F} = \langle x, xy, xyz \rangle$ through the unit cube $0 \leq x \leq 1, 0 \leq y \leq 1$ and $0 \leq z \leq 1$.



Soln: Since there are 6 sides to the cube we must do all 6 fluxes separately. The nice thing is that the unit normal's are easy to pick off and so are dS .

Top: Here $\vec{N} = \langle 0, 0, 1 \rangle$. Since $z = 1$, then $\vec{F} = \langle x, xy, xy \rangle$ and $\vec{F} \cdot \vec{N} = \langle 0, 0, 1 \rangle \cdot \langle x, xy, xy \rangle = xy$

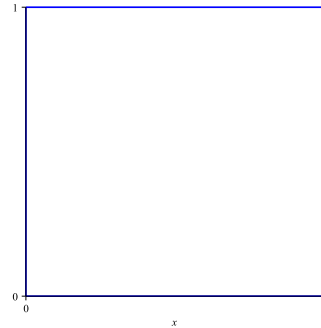
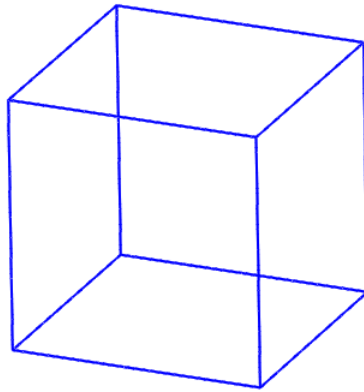
$$\iint_S \vec{F} \cdot \vec{N} dS = \int_0^1 \int_0^1 xy dy dx = \frac{1}{4} \quad (19)$$

Bottom: Here $\vec{N} = \langle 0, 0, -1 \rangle$. Since $z = 0$, then $\vec{F} = \langle x, xy, 0 \rangle$ and $\vec{F} \cdot \vec{N} = \langle 0, 0, -1 \rangle \cdot \langle x, xy, 0 \rangle = 0$

$$\iint_S \vec{F} \cdot \vec{N} dS = \int_0^1 \int_0^1 0 dy dx = 0 \quad (20)$$

Right: Here $\vec{N} = \langle 0, 1, 0 \rangle$. Since $y = 1$, then $\vec{F} = \langle x, x, xz \rangle$ and $\vec{F} \cdot \vec{N} = \langle 0, 1, 0 \rangle \cdot \langle x, x, xz \rangle = xy$

$$\iint_S \vec{F} \cdot \vec{N} dS = \int_0^1 \int_0^1 x dz dx = \frac{1}{2} \quad (21)$$

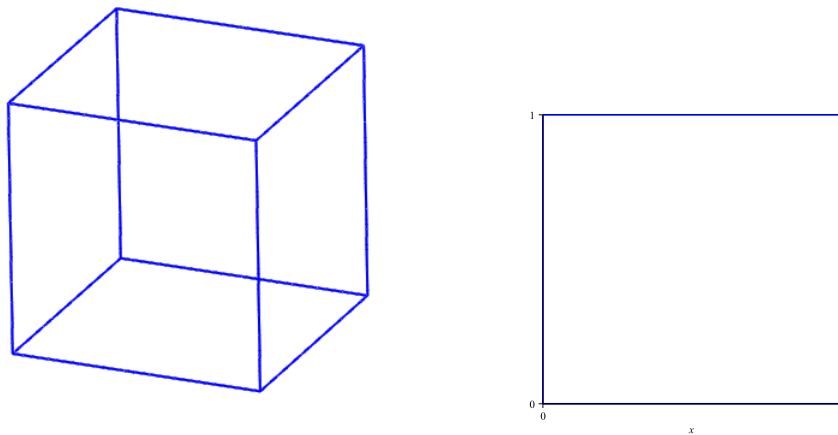


Left: Here $\vec{N} = \langle 0, -1, 0 \rangle$. Since $y = 0$, then $\vec{F} = \langle x, 0, 0 \rangle$ and $\vec{F} \cdot \vec{N} = \langle 0, -1, 0 \rangle \cdot \langle x, 0, 0 \rangle = 0$

$$\iint_S \vec{F} \cdot \vec{N} dS = \int_0^1 \int_0^1 0 dz dx = 0 \quad (22)$$

Front: Here $\vec{N} = \langle 1, 0, 0 \rangle$. Since $x = 1$, then $\vec{F} = \langle 1, y, yz \rangle$ and $\vec{F} \cdot \vec{N} = \langle 1, 0, 0 \rangle \cdot \langle 1, y, yz \rangle = 1$

$$\iint_S \vec{F} \cdot \vec{N} dS = \int_0^1 \int_0^1 1 dz dy = 1 \quad (23)$$



Back: Here $\vec{N} = \langle -1, 0, 0 \rangle$. Since $x = 0$, then $\vec{F} = \langle 0, 0, 0 \rangle$ and $\vec{F} \cdot \vec{N} = \langle -1, 0, 0 \rangle \cdot \langle 0, 0, 0 \rangle = 0$

$$\iint_S \vec{F} \cdot \vec{N} dS = \int_0^1 \int_0^1 0 dz dy = 0 \quad (24)$$

So the total flux through the cube is

$$\iint_S \vec{F} \cdot \vec{N} dS = \frac{1}{4} + 0 + \frac{1}{2} + 0 + 1 + 0 = \frac{7}{4} \quad (25)$$