

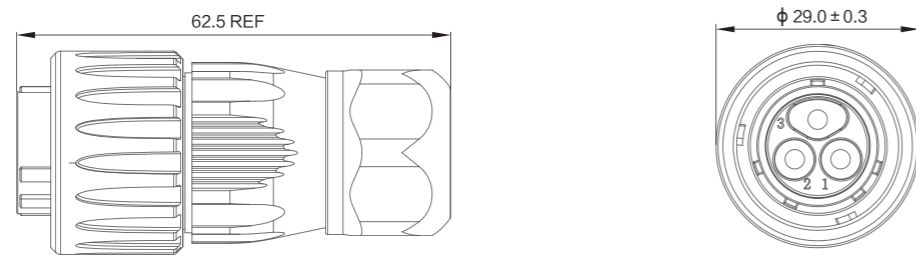
DH-20 Datasheet

DH-20

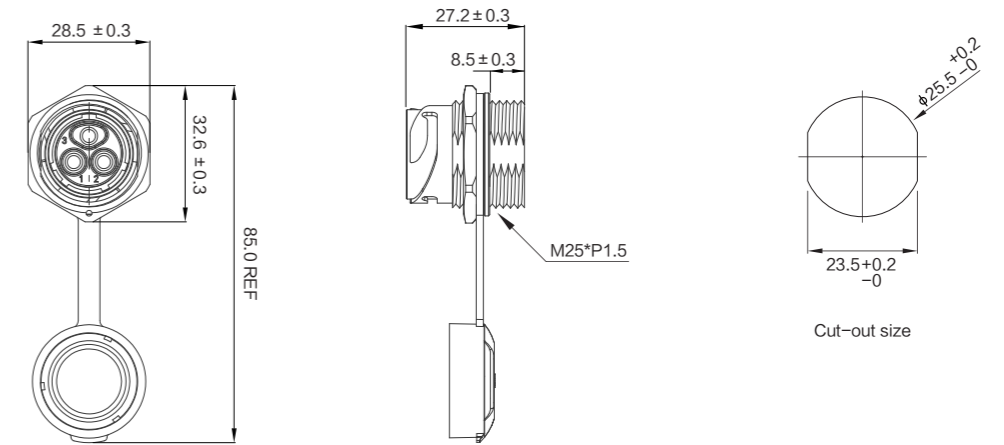
M20 Power/Signal	Product Series		DH-20					DH-20														
	Pin Number		2PIN		3PIN		4PIN		5PIN		7PIN		8PIN		9PIN		12PIN		14PIN		—	
	Application Type Section																				—	
	Current Rating		20A					10A		10A		20A+5A		5A					—			
	Voltage Rating		AC 300V					AC 300V		AC 300V		AC 250V		AC 250V					—			
	Cable O.D Range		≤ φ 12.0mm					≤ φ 12.0mm					≤ φ 12.0mm					—				
	Wire Size		2.5mm ² /12AWG					1.5mm ² /16AWG		1.5mm ² /16AWG		4.0mm ² /12AWG 0.5mm ² /20AWG		0.5mm ² /20AWG					—			
	Protection Level		Standard is IP65, IP67&IP68 Option Available										Standard is IP65, IP67&IP68 Option Available									
	Assembly Method		Soldering / Screwing										Soldering									
Illustration	Material	Part No										Part No										
	Metal	Male	DH-20-C02PE-03-001A	DH-20-C03PE-03-001A	DH-20-C04PE-03-001A	DH-20-C05PE-03-001A	DH-20-C07PE-03-001A		DH-20-C08PE-03-001A		DH-20-C09PE-03-001A		DH-20-C12PE-03-001A		DH-20-C14PE-03-001A		—					
		Female	DH-20-J02PE-03-001A	DH-20-J03PE-03-001A	DH-20-J04PE-03-001A	DH-20-J05PE-03-001A	DH-20-J07PE-03-001A		DH-20-J08PE-03-001A		DH-20-J09PE-03-001A		DH-20-J12PE-03-001A		DH-20-J14PE-03-001A		—					
	Metal	Male	DH-20-C02PP-03-001A	DH-20-C03PP-03-001A	DH-20-C04PP-03-001A	DH-20-C05PP-03-001A	DH-20-C07PP-03-001A		DH-20-C08PP-03-001A		DH-20-C09PP-03-001A		DH-20-C12PP-03-001A		DH-20-C14PP-03-001A		—					
		Female	DH-20-J02PP-03-001A	DH-20-J03PP-03-001A	DH-20-J04PP-03-001A	DH-20-J05PP-03-001A	DH-20-J07PP-03-001A		DH-20-J08PP-03-001A		DH-20-J09PP-03-001A		DH-20-J12PP-03-001A		DH-20-J14PP-03-001A		—					
	Metal	Male	DH-20-C02SX-03-101A	DH-20-C03SX-03-101A	DH-20-C04SX-03-101A	DH-20-C05SX-03-101A	DH-20-C07SX-03-101A		DH-20-C08SX-03-101A		DH-20-C09SX-03-101A		DH-20-C12SX-03-101A		DH-20-C14SX-03-101A		—					
		Female	DH-20-J02SX-03-101A	DH-20-J03SX-03-101A	DH-20-J04SX-03-101A	DH-20-J05SX-03-101A	DH-20-J07SX-03-101A		DH-20-J08SX-03-101A		DH-20-J09SX-03-101A		DH-20-J12SX-03-101A		DH-20-J14SX-03-101A		—					
	Metal	Male	DH-20-C02SX-03-401A	DH-20-C03SX-03-401A	DH-20-C04SX-03-401A	DH-20-C05SX-03-401A	DH-20-C07SX-03-401A		DH-20-C08SX-03-401A		DH-20-C09SX-03-401A		DH-20-C12SX-03-401A		DH-20-C14SX-03-401A		—					
		Female	DH-20-J02SX-03-401A	DH-20-J03SX-03-401A	DH-20-J04SX-03-401A	DH-20-J05SX-03-401A	DH-20-J07SX-03-401A		DH-20-J08SX-03-401A		DH-20-J09SX-03-401A		DH-20-J12SX-03-401A		DH-20-J14SX-03-401A		—					

DH-20 Dimension Drawing (unit: mm)

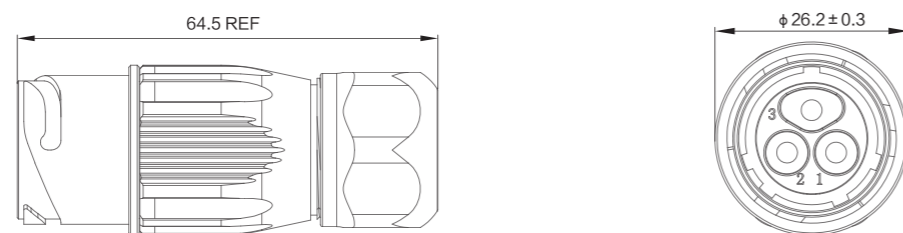
Plastic plug



Single hole straight receptacle



In-line receptacle



Four-hole flange receptacle

