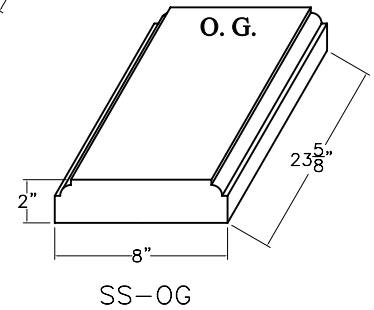
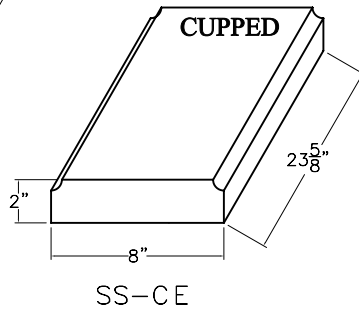
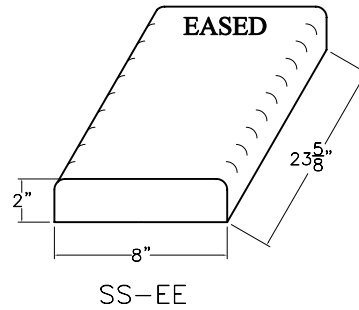
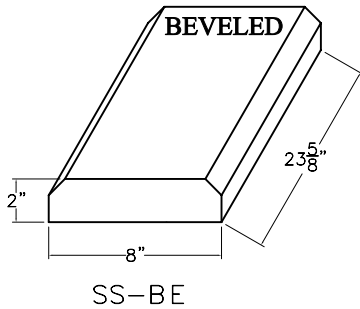


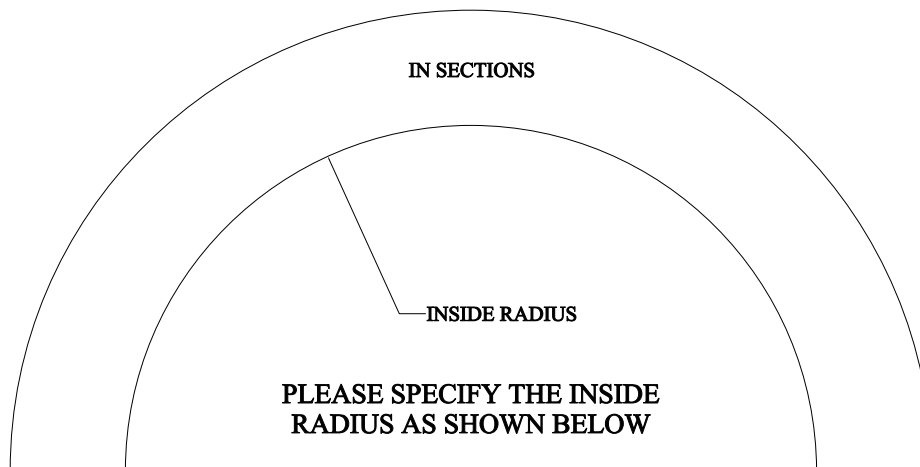
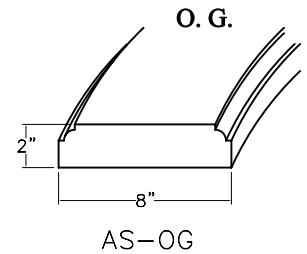
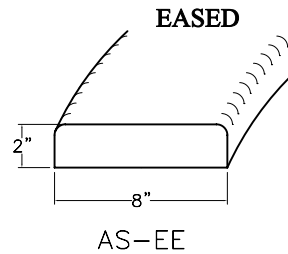
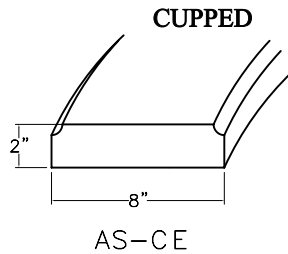
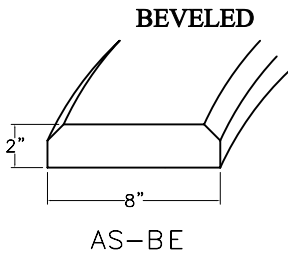
WINDOW & DOOR SURROUNDS

EDGE DETAILS - STRAIGHT



CORNERS AVAILABLE UPON REQUEST

EDGE DETAILS - ARCHED

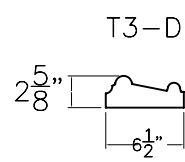
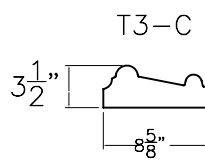
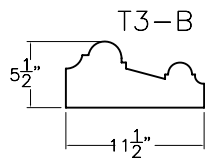
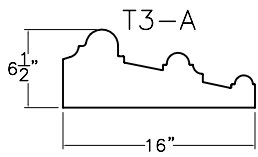


PLEASE SPECIFY THE INSIDE RADIUS AS SHOWN BELOW

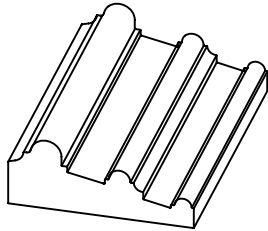
- AS-BE R18", R24", R36", OR R 48"
- AS-CE R18", R24", R36", OR R 48"
- AS-EE R18", R24", R36", OR R 48"
- AS-OG R18", R24", R36", OR R 48"

CUSTOM RADIUS AVAILABLE UPON REQUEST
RADIUS SECTION LENGTHS DETERMINED AT THE TIME
OF PRODUCTION UNLESS OTHERWISE SPECIFIED

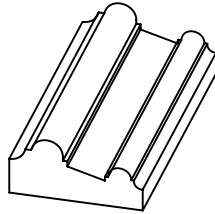
WINDOW & DOOR SURROUNDS



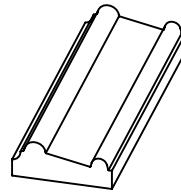
T3-A thru D - STRAIGHT



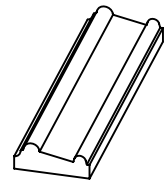
T3-A



T3-B



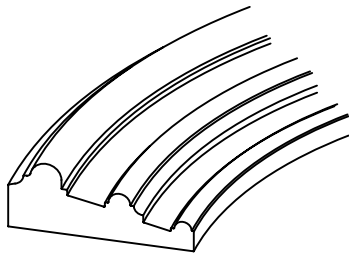
T3-C



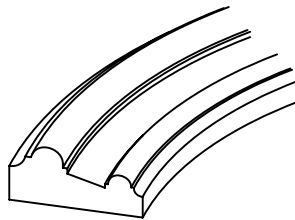
T3-D

CORNERS AVAILABLE UPON REQUEST

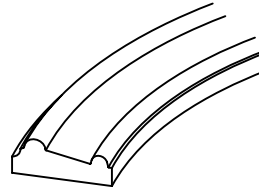
T3-A thru D - ARCHED



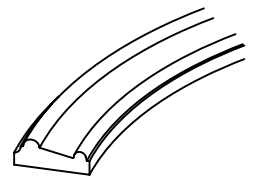
T3-A



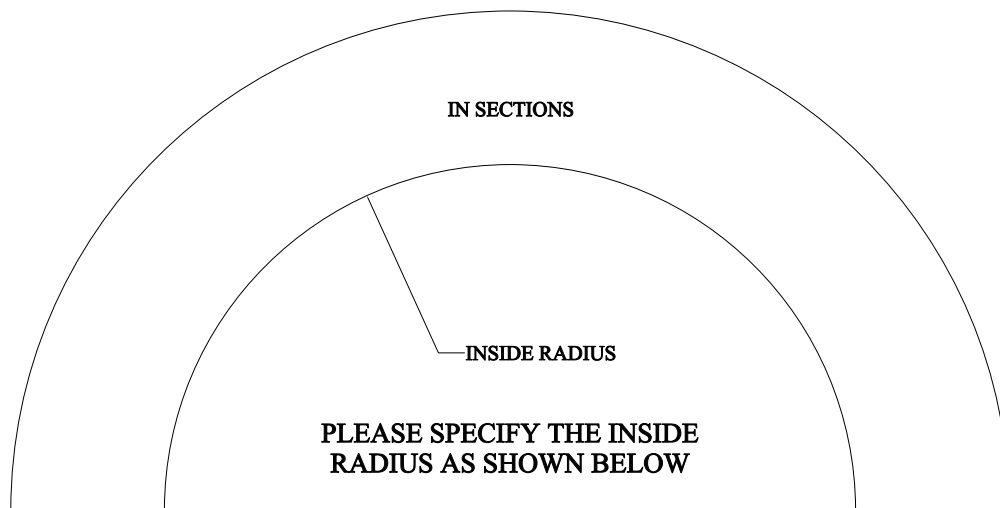
T3-B



T3-C



T3-D



T3-A R72", R96", OR R120"

T3-B R48", R72", OR R96"

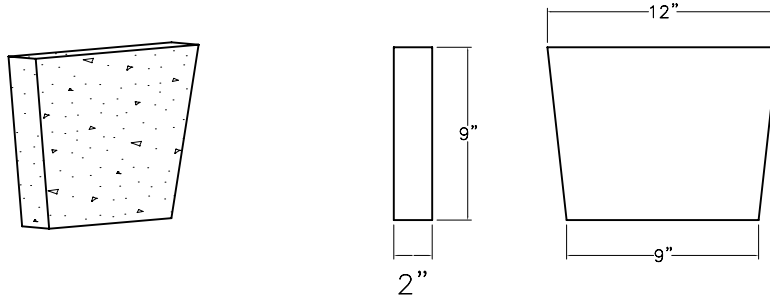
T3-C R36", R48", OR R72"

T3-D R36", R48", OR R72"

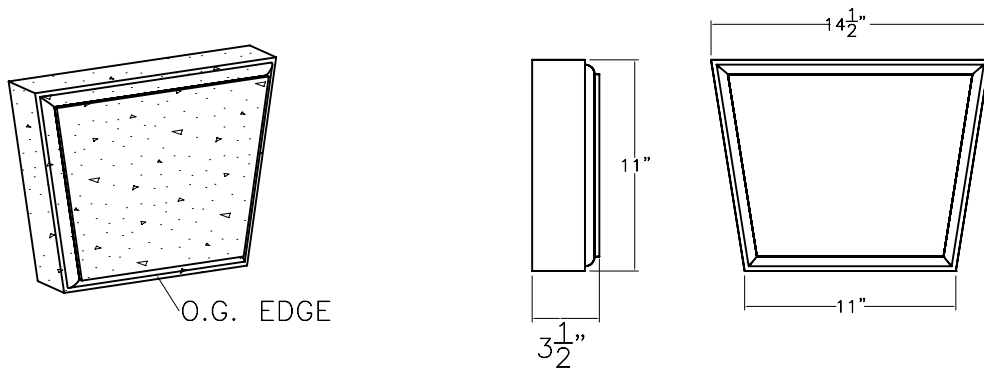
**CUSTOM RADIUS AVAILABLE UPON REQUEST
RADIUS SECTION LENGTHS DETERMINED AT THE TIME
OF PRODUCTION UNLESS OTHERWISE SPECIFIED**

KEY STONES

#KS-9

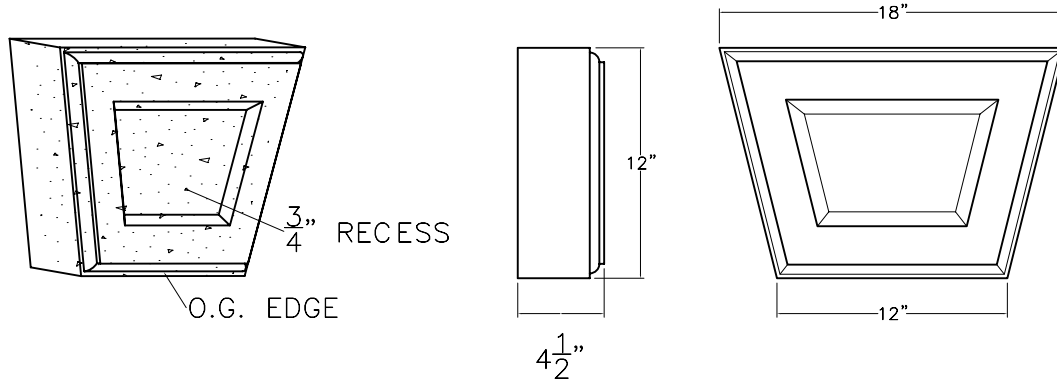


#KS-11



KEY STONES

#KS-12



#KS-14

