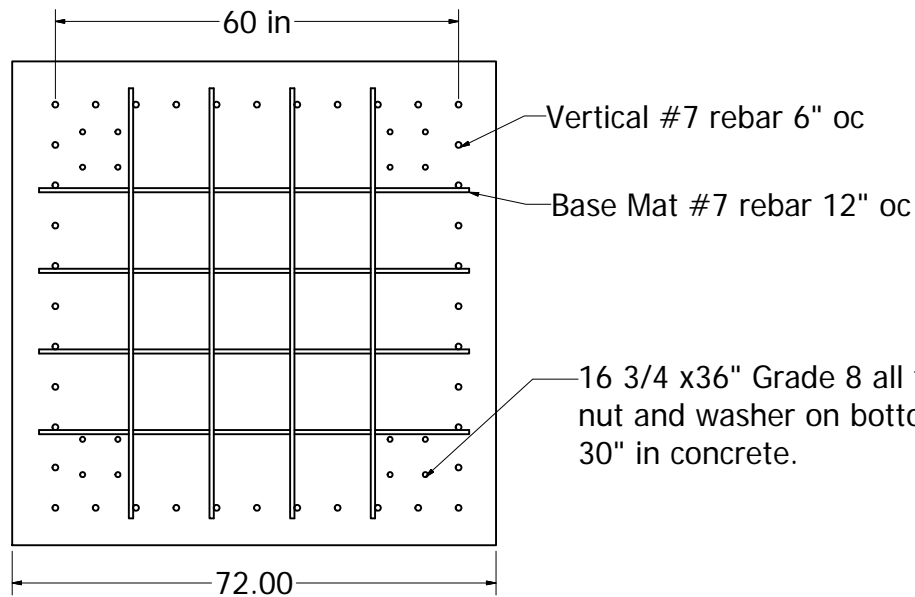
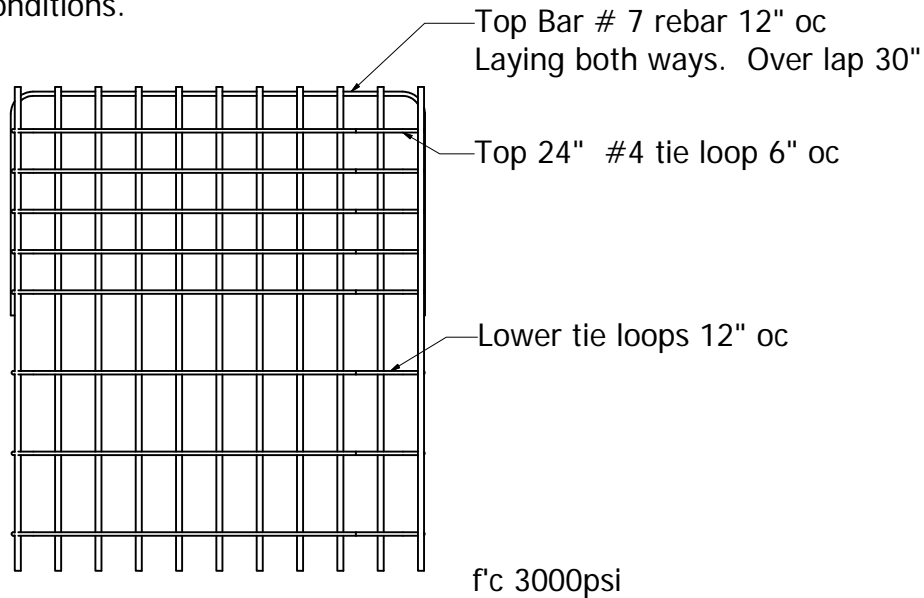
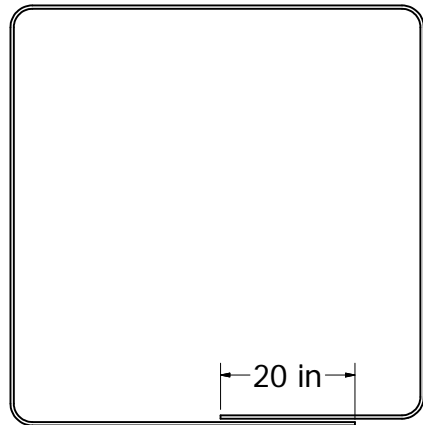


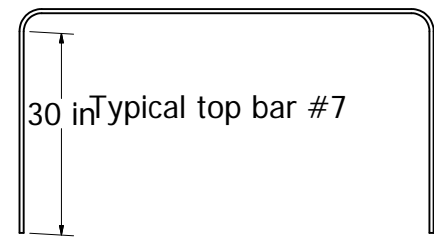
48" sq Tower
 Based on 90mph
 winds 3 second gust.
 ANSITIAEIA-222-F
 "normal soil"
 conditions.



All rebar grade 60



Typical Tie Loop # 4 rebar



30 in Typical top bar #7

- 30' Tower 6' x 6' x 6.5' th
- 40' Tower 6' x 6' x 7.5' th
- 50' Tower 6' x 6' x 9' th
- 60' Tower 6' x 6' x 10' th

DRAWN Rex A Greene	7/14/2005	Greene Welding and Hardware Inc.		
CHECKED		Greene Galvanized Stairs 217/37		
QA		www.greenebstairs.com		
MFG				
APPROVED				
		SIZE C	DWG NO 6 x 6 foundation	REV
		SCALE NA	SHEET 1 OF 1	