



# *Sustainable Coils LLC*

*Replacement Coil Solutions!*

## **Product Catalog**

**Revision Date: 10/09/2023**

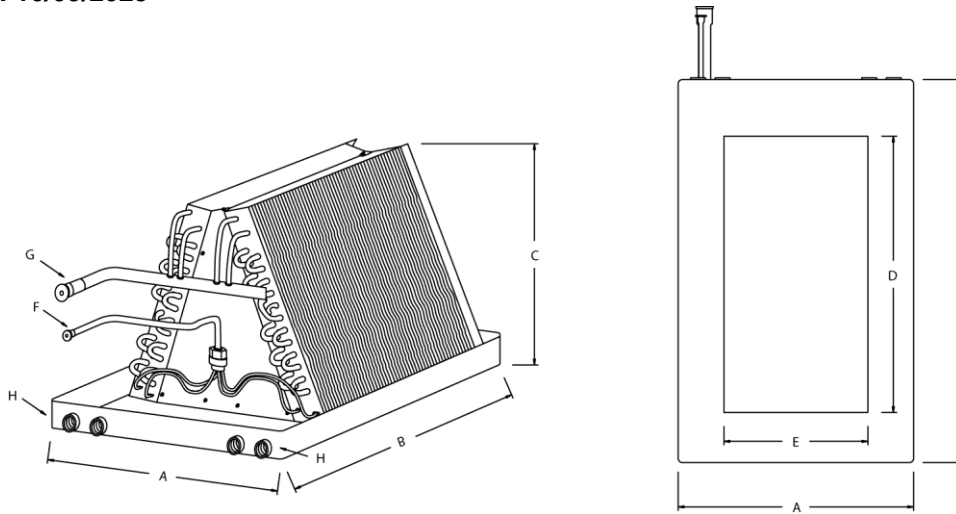
<b>Page 1:</b>	<b>Index</b>
<b>Page 2:</b>	<b>Uncased stock replacement coils</b>
<b>Page 3:</b>	<b>Cased stock replacement coils</b>
<b>Page 4:</b>	<b>Mobile Home replacement coils</b>
<b>Page 5:</b>	<b>Horizontal slab replacement coils</b>
<b>Page 6:</b>	<b>RCTWE replacement coils introduction</b>
<b>Page 7:</b>	<b>RCTWE replacement coils line art</b>
<b>Pages 8-11:</b>	<b>Trane/American Standard RCTWE cross reference</b>
<b>Page 12:</b>	<b>Carrier/ICP F-series replacement coils introduction</b>
<b>Page 13:</b>	<b>Carrier/ICP F-series replacement coils line art</b>
<b>Pages 14-19:</b>	<b>Carrier/Bryant/Payne F-series cross reference</b>
<b>Pages 20-23:</b>	<b>ICP F-series cross reference</b>
<b>Page 24:</b>	<b>EPA-EXA ICP replacement coils introduction</b>
<b>Page 25:</b>	<b>EPA-EXA ICP replacement coils line art</b>
<b>Page 26:</b>	<b>EPA-EXA ICP replacement coils cross reference</b>
<b>Page 27-28:</b>	<b>Wall Mount Air Handler replacement coils</b>
<b>Page 29:</b>	<b>Expansion valve and piston utilization charts</b>
<b>Page 30:</b>	<b>Internal Refrigerant Volume “IRV” formula</b>

# Sustainable Coils LLC

## Replacement Coil Solutions!

### STOCK REPLACEMENT A-COIL

Revision Date: 10/09/2023



COIL MODEL	COIL WEIGHT	A	B	C	D	E	F	G	H
1024A13	20	13	19 1/2	10 1/2	15 1/2	5 1/2	3/8	3/4	3/4
1024A16	22	16	19 1/2	10 1/2	15 1/2	8 1/2	3/8	3/4	3/4
1036A13	25	13	19 1/2	14 1/2	15 1/2	5 1/2	3/8	3/4	3/4
1036A16	28	16	19 1/2	14 1/2	15 1/2	8 1/2	3/8	3/4	3/4
1036A20	30	20	19 1/2	14 1/2	15 1/2	12 1/2	3/8	3/4	3/4
1048A16	33	16	19 1/2	18 1/2	15 1/2	8 1/2	3/8	7/8	3/4
1048A20	35	20	19 1/2	18 1/2	15 1/2	12 1/2	3/8	7/8	3/4
1048A23	37	23	19 1/2	18 1/2	15 1/2	15 1/2	3/8	7/8	3/4
1060A20	41	20	19 1/2	22 1/2	15 1/2	12 1/2	3/8	7/8	3/4
1060A23	43	23	19 1/2	22 1/2	15 1/2	15 1/2	3/8	7/8	3/4

Low profile 3 row replacement coils

3/8" O.D., CU-122 60 helical copper tube, .016 back wall

2,500 PSI burst pressure minimum

Aluminum end plates to protect against rust corrosion

Aluminum fins spaced at 14 FPI for proper air flow in replacement applications

Plastic drain pans in popular widths; nylon resin is 5VFR rated and U.V. safe

Piston metered for R-410A application, additional R-22 piston available upon request

R-22 and R-410A expansion valve kits (loose or installed) available upon request

Pre-swaged refrigerant connections, shipped with dry nitrogen holding charge

Expanded IRV: 1024A=98.26, 1036A=137.56, 1048A=176.87, 1060A=216.17

Five year replacement warranty

Visit our website [www.SustainableCoils.com](http://www.SustainableCoils.com) for further information regarding our complete product line.

Telephone: (903) 881-6006

Fax: (903) 881-6008

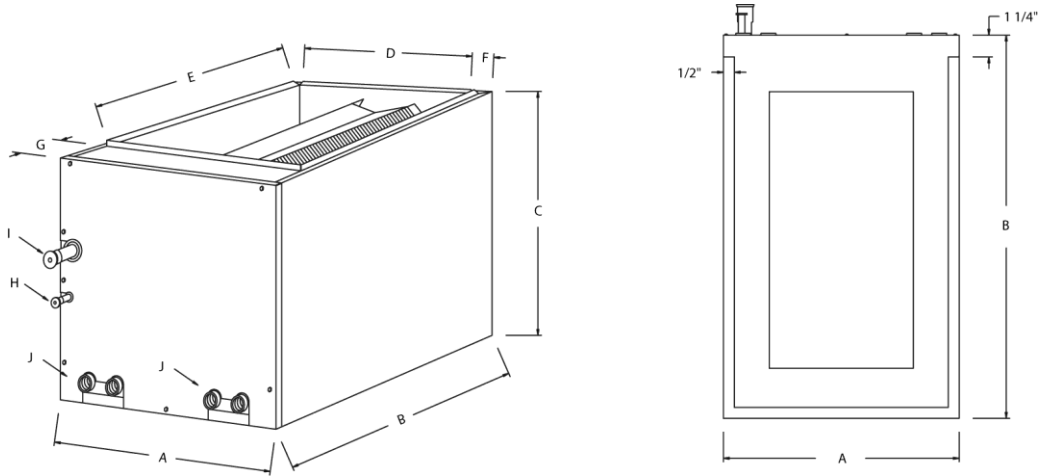
email: [sales@SustainableCoils.com](mailto:sales@SustainableCoils.com)

# Sustainable Coils LLC

## Replacement Coil Solutions!

### STOCK REPLACEMENT A-COILS CASED

Revision Date: 10/09/2023



COIL MODEL	COIL WEIGHT	A	B	C	D	E	F	G	H	I	J
1024A13-C	34	14 1/2	21 1/4	14	12 3/4	18 3/4	7/8	1 5/8	3/8	3/4	3/4
1024A16-C	36	17 1/2	21 1/4	14	15 3/4	18 3/4	7/8	1 5/8	3/8	3/4	3/4
1036A13-C	41	14 1/2	21 1/4	16	12 3/4	18 3/4	7/8	1 5/8	3/8	3/4	3/4
1036A16-C	44	17 1/2	21 1/4	16	15 3/4	18 3/4	7/8	1 5/8	3/8	3/4	3/4
1036A20-C	52	21	21 1/4	18	19 1/4	18 3/4	7/8	1 5/8	3/8	3/4	3/4
1048A16-C	53	17 1/2	21 1/4	20	15 3/4	18 3/4	7/8	1 5/8	3/8	7/8	3/4
1048A20-C	57	21	21 1/4	20	19 1/4	18 3/4	7/8	1 5/8	3/8	7/8	3/4
1048A23-C	60	24 1/2	21 1/4	20	22 3/4	18 3/4	7/8	1 5/8	3/8	7/8	3/4
1060A20-C	66	21	21 1/4	24	19 1/4	18 3/4	7/8	1 5/8	3/8	7/8	3/4
1060A23-C	69	24 1/2	21 1/4	24	22 3/4	18 3/4	7/8	1 5/8	3/8	7/8	3/4

3/8" O.D., CU-122 60 helical copper tube, .016 back wall  
 2,500 PSI burst pressure minimum  
 Aluminum end plates to protect against rust corrosion  
 Aluminum fins spaced at 14 FPI for proper air flow in replacement applications  
 Piston metered for R-410A refrigerant, additional R-22 piston optional  
 R-22 and R-410A expansion valve kits (loose or installed) available upon request  
 Plastic drain pans; nylon resin is 5VFR rated and U.V. safe  
 22 ga. G-90 galvanized cabinets with 1/2" foil backed insulation in popular sizes  
 Heal punched access door for removal without disconnecting line sets or drains  
 Pre-swaged refrigerant connections, shipped with dry nitrogen holding charge  
 Expanded IRV: 1024A=98.26, 1036A=137.56, 1048A=176.87, 1060A=216.17  
 Five year replacement warranty

Visit our website [www.SustainableCoils.com](http://www.SustainableCoils.com) for further information regarding our complete product line.

Telephone: (903) 881-6006

Fax: (903) 881-6008

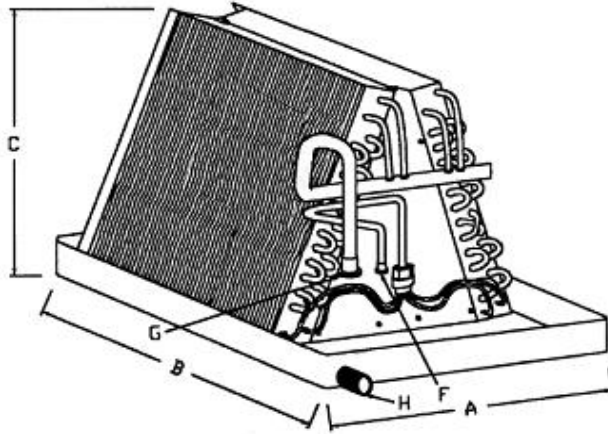
email: [sales@SustainableCoils.com](mailto:sales@SustainableCoils.com)

# Sustainable Coils LLC

## Replacement Coil Solutions!

### MOBILE HOME COILS

Revision Date: 10/09/2023



COIL MODEL	COIL WEIGHT	A	B	C	F	G	H
1024A-MH	24	18	19 1/2	16 1/2	3/8	3/4	3/4
1036A-MH	30	18	19 1/2	14 1/2	3/8	3/4	3/4
1036A-FED/FEV	34	15 3/4	20 5/8	14 1/2	3/8	3/4	3/4
1048A-MH	36	18	19 1/2	18 1/2	3/8	7/8	3/4
1048A-FED/FEV	40	15 3/4	20 5/8	18 1/2	3/8	7/8	3/4
1064A-MH	41	18	19 1/2	18 1/2	3/8	7/8	3/4
1448A-MH+4X4	36	18	19 1/2	18 1/2	3/8	7/8	3/4
1449A-MH+4X4	42	18	19 1/2	18 1/2	3/8	7/8	3/4

**Hairpin Tube:** 3/8" O.D., CU-122 60 helical copper tube, .016 back wall  
2,500 PSI burst pressure minimum

**Rows/FPI:** 2 rows, 14 FPI: 1024A-MH  
3 rows, 14 FPI: 1036A-MH, 1048A-MH, 1448A-MH+4X4  
1036A-FED/FEV, 1048A-FED/FEV  
4 rows, 12 FPI: 1064A-MH, 1449A-MH+4X4

**End Plates:** Aluminum

**Metering:** Piston metered for R-410A refrigerant, additional R-22 piston optional  
1448A-MH+4X4, 1049A-MH+4X4 includes factory installed R410A TXV

**Refrigerant connections:** Pre-swaged

**Expanded IRV (cu. In.):** 1024A=104.81, 1036A=137.56, 1048A=176.87, 1064A=235.82  
1448A-MH+4X4=176.87, 1449A-MH+4X4=235.82

**Drain Pan:** Nylon resin pans are 5VFR rated and U.V. safe  
FED/FEV drain pans are metal

**Holding Charge:** Dry nitrogen

**Warranty:** Five year replacement

Please visit our website [www.SustainableCoils.com](http://www.SustainableCoils.com) for further information regarding our complete product line.

Telephone: (903) 881-6006

Fax: (903) 881-6008

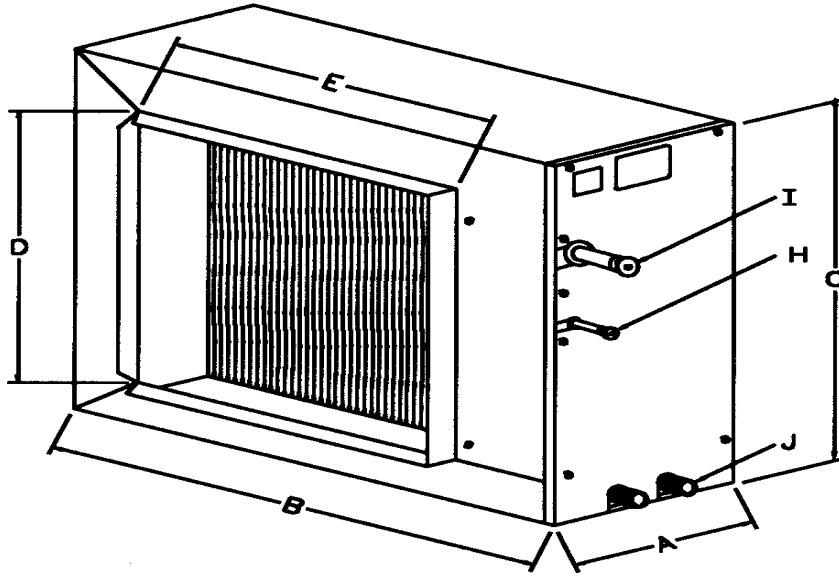
email: [sales@sustainablecoils.com](mailto:sales@sustainablecoils.com)

# Sustainable Coils LLC

## Replacement Coil Solutions!

### HORIZONTAL SLAB COILS

Revision Date: 10/09/2023



COIL MODEL	COIL WEIGHT	A	B	C	D	E	H	I	J
HS-24	39	10	20	25	21	14	3/8	3/4	3/4
HS-36	45	10	25	25	21	19	3/8	3/4	3/4
HS-48	52	10	30	25	21	24	3/8	7/8	3/4
HS-60	58	10	34	25	21	28	3/8	7/8	3/4

3/8" O.D., CU-122 60 helical copper tube, .016 back wall  
 2,500 PSI burst pressure minimum  
 Aluminum end plates to protect against rust corrosion  
 Louvered aluminum fins spaced at 14 FPI  
 Piston metered for R-410A refrigerant, additional R-22 piston optional  
 R-22 and R-410A expansion valve kits (loose or installed) available upon request  
 Metal drain pan  
 Pre-swaged refrigerant connection, shipped with dry nitrogen holding charge  
 Expanded IRV: HS24=103.17, HS36=140.02, HS48=176.87, HS60=206.35  
 Five year replacement warranty

Visit our website at [www.Sustainablecoils.com](http://www.Sustainablecoils.com) for further information regarding our complete product line.

Telephone: (903) 881-6006

Fax: (903) 881-6008

email: [sales@sustainablecoils.com](mailto:sales@sustainablecoils.com)

# *Sustainable Coils LLC*

## *Replacement Coil Solutions!*

### **Replacement coils for Trane/American Standard TWE, 2/4TEC, 2/4TEE, 2/4TEH Air Handlers**

Sustainable Coils is proud to offer an affordable solution for TWE, 2/4TEC, 2/4TEE and 2/4TEH Air Handler coils that have failed and are no longer in warranty.

1. Our RCTWE replacement coils are a true drop-in replacement. The drain and line set connections are properly positioned to match the published dimensions of TWE air handler cover plates. Please refer to our notes section of the cross reference for models that require field modification of the header. Every coil comes with a factory installed vertical and horizontal drain pan.
2. We have maintained the proper internal refrigerant volumes for each model to ensure compatibility for heat pump applications.
3. Each replacement coil model utilizes the proper metering device that was specified for the original application. The C14 models are equipped with piston metering for R-22 refrigerant. The C/D15, E13 and P13 models utilize R-22 adjustable expansion valves for heat pump or cooling only applications. Models with "+4X" at the end of the model number designates that an R-410A expansion valve has been factory installed prior to shipment.
4. All RCTWE replacement coils utilize, 3/8" O.D., CU-122 60 helical copper tube, .016 back wall. By utilizing tubing with a back wall thickness of .016, our coils have a 2,500 PSI burst pressure minimum which far exceeds industry standards.
5. Our RCTWE replacement coils carry a Five year replacement warranty for added end user peace of mind, instead of the one year replacement warranty currently available when using the OEM coil in a replacement application.

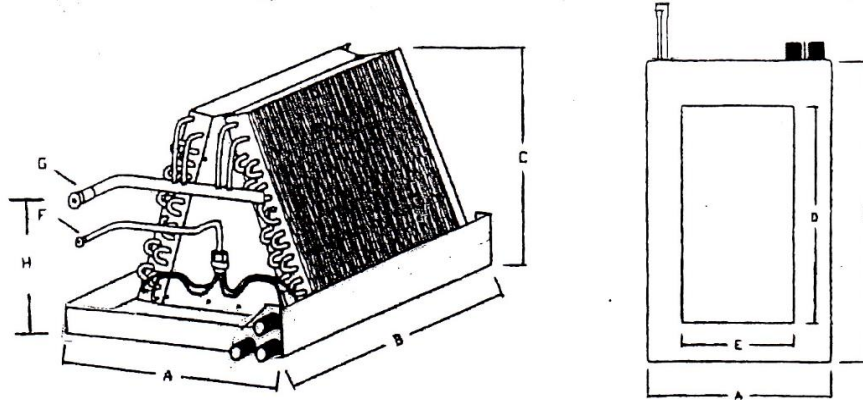
We have a complete cross reference list detailing the coil matches for TWE, TEE, TEC and TEH air handlers. Please refer to the notes section for information regarding field header modifications that are required on some models which deviate from published dimensions.

# Sustainable Coils LLC

## Replacement Coil Solutions!

### TWE AIR HANDLER REPLACEMENT COILS

Revised 10/09/2023



COIL MODEL	COIL WEIGHT	A	B	C	D	E	F	G	H
RCTWE024C14	30	18 5/8	19 3/8	14	15 7/8	11 1/2	3/8	3/4	12 1/2
RCTWE030C14	32	18 5/8	19 3/8	12	15 7/8	11 1/2	3/8	3/4	12 1/2
RCTWE030P13, (+4X)	36	18 5/8	19 3/8	14	15 7/8	11 1/2	3/8	3/4	12 1/2
RCTWE036C14	35	18 5/8	19 3/8	14	15 7/8	11 1/2	3/8	3/4	12 1/2
RC2TEC3F36A, (+4X)	39	18 5/8	19 3/8	16	15 7/8	11 1/2	3/8	3/4	14 1/2
RCTWE036P13, (+4X)	43	18 5/8	19 3/8	18	15 7/8	11 1/2	3/8	7/8	14 1/2
RCTWE037E13, (+4X)	43	20 5/8	19 3/8	18	15 7/8	13 1/2	3/8	7/8	14 1/2
*RCTWE040E13, (+4X)	59	24	19 3/8	22	15 7/8	16 1/8	3/8	7/8	15 3/8
RCTWE042C14	42	20 5/8	19 3/8	18	15 7/8	13 1/2	3/8	7/8	14 1/2
RCTWE042P13, (+4X)	49	20 5/8	19 3/8	22	15 7/8	13 1/2	3/8	7/8	15 3/8
RCTWE048C14	49	20 5/8	19 3/8	22	15 7/8	13 1/2	3/8	7/8	21 3/8
*RCTWE060C/D15, (+4X)	61	20 5/8	19 3/8	27	15 7/8	13 1/2	3/8	7/8	27 1/2
*RCTWE060P13, (+4X)	72	24	19 3/8	27	15 7/8	16 1/8	3/8	7/8	24 1/8
*RCTWE065E13, (+4X)	80	24	19 3/8	32	15 7/8	16 1/8	3/8	7/8	24 1/8

\* Denotes over size coil that must be shipped on a skid to a verifiable commercial location.

3/8" O.D., CU-122 60 helical copper tube, .016 back wall

2,500 PSI burst pressure minimum

Aluminum end plates for rust reduction

C14 coils are piston metered for R-22 refrigerant, additional R-410A piston optional

E13, P13, C/D15 coils equipped with factory installed R-22 expansion valves.

Model numbers ending in "+4X" equipped with factory installed R-410A expansion valves.

All expansion valves are adjustable and heat pump compatible.

H dimension measured from bottom of drain pan; add 3" if measuring below filter chamber

All RCTWE coils are equipped with factory installed vertical and horizontal drain pans

Refrigerant connections pre-swaged; coils shipped with dry nitrogen holding charge

Five year replacement warranty

For a printable cross reference PDF of RCTWE models, please visit our website

[www.SustainableCoils.com](http://www.SustainableCoils.com).

# Sustainable Coils LLC

## Replacement Coil Solutions!

**Trane/American Standard Air Handler replacement coil cross reference:  
10/09/2023**

**Suction line height referenced in the cross reference notes is measured from bottom of drain pan. Add 3" if measuring from the bottom of the filter rack.**

Some 2/4TEC, 2/4TEE and 2/4TEH models in the field do not match the manufacturers published specifications for suction line height. There are also later revisions of the 4TEC 3.5 and 4 ton units that retained the same part numbers as earlier versions that deviate from published specifications.

**If the notes state "Requires header modification" the Sustainable model listed is used for your application but the line set location may not match the access panel. To ensure that the header will match your access panel, the suction line will need to be modified in the field.**

Trane/A.S. Model #	Sustainable Model #	Suction Line Height-Notes
TWE018C14	RCTWE024C14	12 1/2"- R-22 piston
TWE024C14	RCTWE024C14	12 1/2"- R-22 piston
TWE030C14	RCTWE030C14	12 1/2"- R-22 piston
TWE036C14	RCTWE036C14	12 1/2"- R-22 piston
TWE042C14	RCTWE042C14	14 1/2"- R-22 piston
TWE048C14	RCTWE048C14	21 3/8"- R-22 piston
TWE060C/D15	RCTWE060C/D15	27 1/2"- R-22 TXV

Trane/A.S. Model #	Sustainable Model #	Suction Line Height-Notes
TWE018P13	RCTWE030P13	12 1/2"- R-22 TXV
TWE024P13	RCTWE030P13	12 1/2"- R-22 TXV
TWE030P13	RCTWE030P13	12 1/2"- R-22 TXV
TWE036P13	RCTWE036P13	14 1/2"- R-22 TXV
TWE042P13	RCTWE042P13	15 3/8"- R-22 TXV
TWE048P13	RCTWE060P13	24 1/8"- R-22 TXV
TWE060P13	RCTWE060P13	24 1/8"- R-22 TXV
TWE063P13	RCTWE065E13	24 1/8"- R-22 TXV

Trane/A.S. Model #	Sustainable Model #	Suction Line Height-Notes
TWE031E13	RCTWE030P13	12 1/2"- R-22 TXV
TWE037E13	RCTWE037E13	14 1/2"- R-22 TXV
TWE040E13	RCTWE040E13	15 3/8"- R-22 TXV
TWE049E13	RCTWE060P13	24 1/8"- R-22 TXV
TWE065E13	RCTWE065E13	24 1/8"- R-22 TXV



**Trane/American Standard Air Handler replacement coil cross reference:**

**10/09/2023**

**Page 2**

Trane/A.S. Model #	Sustainable Model #	Suction Line Height-Notes
2TEC3F18A	RCTWE030P13	12 1/2"- R-22 TXV
2TEC3F24A	RCTWE030P13	12 1/2"- R-22 TXV
2TEC3F30A	RC2TEC3F36A	14 1/2"- R-22 TXV
2TEC3F36A	RC2TEC3F36A	14 1/2"- R-22 TXV
2TEC3F42A	RCTWE042P13	15 3/8"- R-22 TXV
2TEC3F48A	RCTWE060C/D15	27 1/2"- R-22 TXV
2TEC3F60A	RCTWE060C/D15	27 1/2"- R-22 TXV

Trane/A.S. Model #	Sustainable Model #	Suction Line Height-Notes
2TEC3F18B	RCTWE030P13	12 1/2"- R-22 TXV
2TEC3F24B	RCTWE030P13	12 1/2"- R-22 TXV
2TEC3F30B	RC2TEC3F36A	14 1/2"- R-22 TXV
2TEC3F36B	RC2TEC3F36A	14 1/2"- R-22 TXV
2TEC3F42B(C)	RCTWE042P13	15 3/8"- R-22 TXV
2TEC3F48B	RCTWE060C/D15	27 1/2"- R-22 TXV
2TEC3F55B	RCTWE060P13	24 1/8"- R-22 TXV
2TEC3F60B	RCTWE060C/D15	27 1/2"- R-22 TXV

Trane/A.S. Model #	Sustainable Model #	Suction Line Height-Notes
4TEC3F18A	RCTWE030P13+4X	12 1/2"- Requires R-410A TXV
4TEC3F24A	RCTWE030P13+4X	12 1/2"- Requires R-410A TXV
4TEC3F30A	RC2TEC3F36A+4X	14 1/2"- Requires R-410A TXV
4TEC3F36A	RC2TEC3F36A+4X	14 1/2"- Requires R-410A TXV
4TEC3F42A	RCTWE042P13+4X	15 3/8"- Requires R-410A TXV
4TEC3F48A	RCTWE060C/D15+4X	27 1/2"- Requires R-410A TXV
4TEC3F60A	RCTWE060C/D15+4X	27 1/2"- Requires R-410A TXV

Trane/A.S. Model #	Sustainable Model #	Suction Line Height-Notes
4TEC3F18B	RCTWE030P13+4X	12 1/2"- Requires R-410A TXV
4TEC3F24B	RCTWE030P13+4X	12 1/2"- Requires R-410A TXV
4TEC3F30B	RC2TEC3F36A+4X	14 1/2"- Requires R-410A TXV
4TEC3F36B	RC2TEC3F36A+4X	14 1/2"- Requires R-410A TXV
4TEC3F42B	RCTWE042P13+4X	15 3/8"- Requires R-410A TXV
4TEC3F42B-later version 4TEC3F42C-later version	RCTWE042P13+4X	19 1/2"- Field Verify! Requires header modification R-410A TXV
4TEC3F48B	RCTWE060C/D15+4X	27 1/2"- Requires R-410A TXV
4TEC3F48B-later version	RCTWE060C/D15+4X	24 1/2"- Field Verify! Requires header modification, R-410A TXV
4TEC3F55B	RCTWE060P13+4X	24 1/8"- Requires R-410A TXV
4TEC3F60B	RCTWE060C/D15+4X	27 1/2"- Requires R-410A TXV
4TEC3F60B-later version	RCTWE060C/D15+4X	24 1/2"- Field Verify! Requires header modification, R-410A TXV

**Trane/American Standard Air Handler replacement coil cross reference:**

**10/09/2023**

**Page 3**

Trane/A.S. Model #	Sustainable Model #	Suction Line Height-Notes
4TEE3C01A	RCTWE030P13+4X	12 1/2"- R-410A TXV
4TEE3C02A	RCTWE037E13+4X	14 1/2"- R-410A TXV
4TEE3C03A	RCTWE042P13+4X	14"- Modified header required R-410A TXV
4TEE3C04A	RCTWE042P13+4X	14"- Modified header required R-410A TXV
4TEE3C05A	RCTWE040E13+4X	15 3/8"- R-410A TXV
4TEE3C06A	RCTWE060C/D15+4X	23 3/4"-Modified header required, R-410A TXV
4TEE3C07A	RCTWE060P13+4X	24 1/8"- R-410A TXV
4TEE3C08A	RCTWE060C/D15+4X	23 3/4"- Modified header required, R-410A TXV
4TEE3C09A	RCTWE065E13+4X	24 1/8"- R-410A TXV
4TEE3C10A	RCTWE065E13+4X	24 1/8"- R-410A TXV

Trane/A.S. Model #	Sustainable Model #	Suction Line Height-Notes
2TEE3F31A	RCTWE030P13	12 1/2"- R-22 TXV
2TEE3F37A	RCTWE037E13	14 1/2"- R-22 TXV
2TEE3F39A	RCTWE042P13	14 1/2"- Modified header height, Field verify! -R-22 TXV
2TEE3F40A	RCTWE040E13	15 3/8"- Field verify! -R-22 TXV
2TEE3F48A	RCTWE060C/D15	14 1/2"- Modified header height, Field verify! R-22 TXV
2TEE3F49A	RCTWE060P13	24 1/8"- Field verify! -R-22 TXV
2TEE3F64A	RCTWE060C/D15	14 1/2"- Modified header height, Field verify! R-22 TXV
2TEE3F65A	RCTWE065E13	24 1/8"- Field verify! -R-22 TXV

Trane/A.S. Model #	Sustainable Model #	Suction Line Height-Notes
4TEE3F31A	RCTWE030P13	12 1/2"- R-410A TXV
4TEE3F37A	RCTWE037E13	14 1/2"- R-410A TXV
4TEE3F39A	RCTWE042P13	14 1/2"- Modified header height, Field verify! - R-410A TXV
4TEE3F40A	RCTWE040E13	15 3/8"- Field verify! - R-410A TXV
4TEE3F48A	RCTWE060C/D15	14 1/2"- Modified header height, Field verify! R-410A TXV
4TEE3F49A	RCTWE060P13	24 1/8"- Field verify! -R-410A TXV
4TEE3F64A	RCTWE060C/D15	14 1/2"- Modified header height, Field verify! R-410A TXV
4TEE3F66A	RCTWE065E13+4X	24 1/8"- Requires R-410A TXV

**Trane/American Standard Air Handler replacement coil cross reference:**

**10/09/2023**

**Page 4**

Trane/A.S. Model #	Sustainable Model #	Suction Line Height-Notes
4TEE3F31B	RCTWE030P13+4X	12 1/2"- Requires R-410A TXV
4TEE3F37B	RCTWE037E13+4X	14 1/2"- Requires R-410A TXV
4TEE3F40B	RCTWE040E13+4X	15 3/8"- Requires R-410A TXV
4TEE3F49B	RCTWE060P13+4X	24 1/8"- Requires R-410A TXV
4TEE3F49C	RCTWE060P13+4X	24 1/8"- Requires R-410A TXV
4TEE3F65B	RCTWE065E13+4X	24 1/8"- Requires R-410A TXV

Trane/A.S. Model #	Sustainable Model #	Suction Line Height-Notes
2TEH3F18A	RCTWE030P13	12 1/2"- R-22 TXV
2TEH3F24A	RCTWE030P13	12 1/2"- R-22 TXV
2TEH3F30A	RC2TEC3F36A	14 1/2"- R-22 TXV
2TEH3F36A	RC2TEC3F36A	14 1/2"- R-22 TXV
2TEH3F42A	RCTWE042P13	15 3/8"- R-22 TXV
2TEH3F48A	RCTWE060C/D15	27 1/2"- R-22 TXV
2TEH3F60A	RCTWE060C/D15	27 1/2"- R-22 TXV

Trane/A.S. Model #	Sustainable Model #	Suction Line Height-Notes
2TEH3F18B	RCTWE030P13	12 1/2"- R-22 TXV
2TEH3F24B	RCTWE030P13	12 1/2"- R-22 TXV
2TEH3F30B	RC2TEC3F36A	14 1/2"- R-22 TXV
2TEH3F36B	RC2TEC3F36A	14 1/2"- R-22 TXV
2TEH3F42B	RCTWE042P13	15 3/8"- R-22 TXV
2TEH3F48B	RCTWE060C/D15	27 1/2"- R-22 TXV
2TEH3F60B	RCTWE060C/D15	27 1/2"- R-22 TXV

Trane/A.S. Model #	Sustainable Model #	Suction Line Height-Notes
4TEH3F18B	RCTWE030P13+4X	12 1/2"- Requires R-410A TXV
4TEH3F24B	RCTWE030P13+4X	12 1/2"- Requires R-410A TXV
4TEH3F30B	RC2TEC3F36A+4X	14 1/2"- Requires R-410A TXV
4TEH3F36B	RC2TEC3F36A+4X	14 1/2"- Requires R-410A TXV
4TEH3F42B	RCTWE042P13+4X	15 3/8"- Field verify! Requires R-410A TXV
4TEH3F48B	RCTWE060C/D15+4X	27 1/2"- Field verify! Requires R-410A TXV
4TEH3F60B	RCTWE060C/D15+4X	27 1/2"- Field verify! Requires R-410A TXV

# *Sustainable Coils LLC*

## *Replacement Coil Solutions!*

### **F-series Air Handlers**

#### **Replacement coils for Carrier, Bryant, Payne, Arcoaire, Comfortmaker, Day & Night, Heil, Tempstar and ICP private brands**

Sustainable Coils is proud to offer an affordable solution for F-Series Air Handler coils that have failed and are no longer in warranty.

1. Our slope coil line set connections are properly positioned to match the existing air handler cover plate. The end brackets are slotted to accept the coil support brackets from the old unit. The end brackets of the slope coil have pilot holes for attachment of the existing drain pan. Plus, we furnish a factory installed top attachment baffle for ease of installation. **The existing drain pan and leg supports must be reused.**
2. The A-coil replacements have a properly sized G-90 22 gauge paint grip metal drain pan that is coated for rust protection. The drain connections are positioned to fit the access panel and the pan is equipped with drain pan brackets already attached to the bottom of the pan. The A-coil line sets are positioned to match the existing access panel. The 314A2430, 318A4248 and 324A4860 top baffle is sized to accept the Air Seal Assembly from the existing coil if the coil is used in a horizontal application. The 424A60+TXV has been re-engineered from a 3 row coil to a 4 row coil to eliminate skid only shipping issues. The new 4 row coil maintains the correct internal refrigerant volume, drain pan and line set connection locations. The coil is 6" shorter and does not need the Air seal assembly from the old coil in horizontal applications.
3. We have maintained the proper internal refrigerant volumes for each model to ensure compatibility for heat pump applications.
4. All F-Series replacement coils utilize, 3/8" O.D., CU-122 60 helical copper tube, .016 back wall. With a backwall thickness of .016, our coils have a 2,500 PSI burst pressure minimum which far exceeds industry standards.
5. Our F-Series replacement coils carry a Five year replacement warranty for added end user peace of mind, instead of the one year replacement warranty currently available when using the OEM coil in a replacement application.

It may be necessary to change out the metering device depending upon your refrigerant and replacement model application. Additional pistons and TXV for R22 and R410A are available from the factory.

# Sustainable Coils LLC

## Replacement Coil Solutions!

### Carrier/Bryant/ICP F-series Air Handler replacement coils

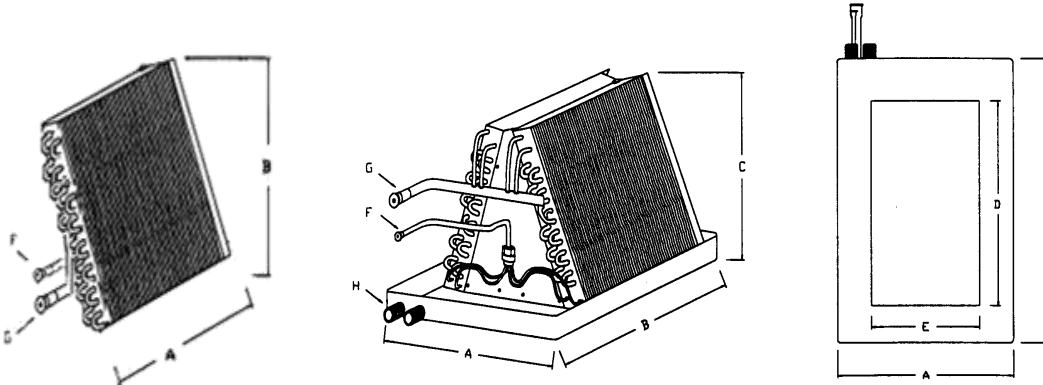
Revision Date: 10/09/2023

SLOPE MODEL	COIL WEIGHT	Face Area	Rows	G	B	F	G
318S2430	20	2.23 sq ft	3	21"	18"	3/8	3/4
324S3036	26	2.97 sq ft	3	21"	24"	3/8	3/4
328S3642	30	3.46 sq ft	3	21"	28"	3/8	7/8

\*\* Denotes limited stock item, please contact factory for availability

All slope coils have the following characteristics in common:

- Pre-punched brackets to accept coil support columns
- Pre-installed side block off baffles for proper fit
- Pre-installed coil top seal
- Line sets positioned to fit access panel location



A-coil pictured above for dimensional use only and does not accurately depict liquid and suction line location.

"A" MODEL	COIL WEIGHT	A	B	C	D	E	F	G	H
*314A2430	36	15 3/4	20 5/8	14 1/2	16	9 3/4	3/8	3/4	3/4
*318A4248	40	19 1/4	20 5/8	18 1/2	16	13 1/4	3/8	7/8	3/4
*324A4860	49	19 1/4	20 5/8	24 1/2	16	13 1/4	3/8	7/8	3/4
*324A4860W	52	22 3/4	20 5/8	24 1/2	16	16 1/4	3/8	7/8	3/4
424A60+2X (+4X)	58	22 3/4	20 5/8	24 1/2	16 1/2	14 1/4	3/8	7/8	3/4

\*A-coil top baffle sized to accept horizontal top seal from replaced coil

Metal drain pan coated for rust protection; drains match air handler access panel location

Drain pan equipped with coil brackets for proper mounting

3/8" O.D., CU-122 60 helical copper tube, .016 back wall

2,500 PSI burst pressure minimum

All coils utilize aluminum end plates for rust reduction

All coils maintain proper Internal Refrigerant Volumes for heat pump compatibility

All suction and liquid lines positioned to air handler access panel location

Line sets pre-swaged, coils shipped with dry nitrogen holding charge

Five year replacement warranty

For printable line art and cross reference utilization chart PDF please visit our website at

[www.SustainableCoils.com](http://www.SustainableCoils.com).

Telephone: (903) 881-6006

Fax: (903) 881-6008

email: [sales@sustainablecoils.com](mailto:sales@sustainablecoils.com)

# Sustainable Coils LLC

## Replacement Coil Solutions!

### F-SERIES AIR HANDLER CROSS REFERENCE UTILIZATION CHART

**Carrier, Bryant, Payne F-Series Air Handler models: FA4A, FA4B, FA4C, FB4A, FB4B, FB4C, FC4B, FC4C, FC4D, FE4A, FE5A, FK4C, FK4D, FV4A, FV4B, FV4C, FX4B, FX4C, FX4D, FY4A, PF1MNA, PF1MNB, PF1MNC, PF4MNA and PF4MNB:**

10/09/2023

“S” in the model number designates slope coil, “A” designates A-coil. If your air handler model is not shown, please consult your Wholesale Distributor or contact the factory for the correct coil model number.

Please note: Due to the multiple uses of the coil model numbers in various tonnages and air handlers, it may be necessary to change out the piston or field install a Sustainable Coils TXV for a proper match to the outdoor unit. Replacement coils may be ordered with the correct piston or TXV factory installed with a minimal up-charge to fit the desired application. Please consult your Wholesale Distributor or the factory to verify the correct metering device needed for your refrigerant application.

The 424A60+TXV is a drop in replacement that does not replicate the original coil. The 424A60+TXV is a 4 row coil with a factory installed TXV that is 24 1/2” tall. It is manufactured to fit into the 26 11/16” wide air handlers. The original coil that it replaces is a 3 row 30” tall coil with a 7.42 sq. ft. face area. The internal refrigerant volumes of both coils match for heat pump application compatibility, plus the drains and line set connections match the access panel. Due to the 4 row configuration, the horizontal top seal from the original coil will not fit the top baffle. Since the coil is 6” shorter than the original coil, it may be used in a horizontal application without the top seal.

OEM Model #	Sustainable Model #	Specified Metering
FA4ANF018	318S2430	Piston
FA4ANF024	318S2430	Piston
FA4ANF030	324S3036	Piston
FA4ANF036	324S3036	Piston
FA4ANF042	328S3642	Piston
FA4ANF048	318A4248	Piston
FA4ANF060	324A4860	Piston

OEM Model #	Sustainable Model #	Specified Metering
FA4BNF018	318S2430	Piston
FA4BNF024	318S2430	Piston
FA4BNF030	324S3036	Piston
FA4BNF036	324S3036	Piston
FA4BNF042	328S3642	Piston
FA4BNF048	318A4248	Piston
FA4BNF060	324A4860	Piston

**Carrier, Bryant, Payne F-Series Air Handler cross reference:**

10/09/2023

Page 2

OEM Model #	Sustainable Model #	Specified Metering
FA4CNF018	318S2430+2X	R-22 TXV
FA4CNF024	324S3036+2X	R-22 TXV
FA4CNF030	324S3036+2X	R-22 TXV
FA4CNF036	328S3642+2X3	R-22 TXV
FA4CNF042	318A4248+2X	R-22 TXV
FA4CNF048	324A4860+2X	R-22 TXV
FA4CNB060	424A60+2X	R-22 TXV

OEM Model #	Sustainable Model #	Specified Metering
FB4ANF018	318S2430	Piston
FB4ANF024	318S2430	Piston
FB4ANF030	324S3036	Piston
FB4ANF036	324S3036	Piston
FB4ANF042	328S3642	Piston
FB4ANF048	318A4248	Piston
FB4ANF060	324A4860	Piston
FB4ANF070	424A60+2X	R-22 TXV

OEM Model #	Sustainable Model #	Specified Metering
FB4BNF018	318S2430	Piston
FB4BNF024	318S2430	Piston
FB4BNF030	324S3036	Piston
FB4BNF036	324S3036	Piston
FB4BN(B,F)042	328S3642	Piston
FB4BN(B,F)048	318A4248	Piston
FB4BN(B,F)060	324A4860	Piston
FB4BNB070	424A60+2X	R-22 TXV

OEM Model #	Sustainable Model #	Specified Metering
FB4CNF018	318S2430	Piston
FB4CNF024	318S2430	Piston
FB4CNF030	324S3036	Piston
FB4CNF036	324S3036	Piston
FB4CNF042	318A4248	Piston
FB4CNF048	318A4248	Piston
FB4CNF060	324A4860+2X	R-22 TXV

OEM Model #	Sustainable Model #	Specified Metering
FC4BNF024	318S2430+2X	R-22 TXV
FC4BNF030	324S3036+2X	R-22 TXV
FC4BNF036	324S3036+2X	R-22 TXV
FC4BNF038	324A4860+2X3	R-22 TXV
FC4BNF042	328S3642+2X	R-22 TXV
FC4BN(B,F)048	318A4248+2X	R-22 TXV
FC4BNF054	424A60+2X	R-22 TXV
FC4BNF060	324A4860+2X	R-22 TXV
FC4BNF070	424A60+2X	R-22 TXV

**Carrier, Bryant, Payne F-Series Air Handler cross reference:**

10/09/2023

Page 3

OEM Model #	Sustainable Model #	Specified Metering
FC4CNF024	318S2430+2X	R-22 TXV
FC4CNF030	324S3036+2X	R-22 TXV
FC4CNF036	324S3036+2X	R-22 TXV
FC4CNF042	328S3642+2X	R-22 TXV
FC4CNF048	318A4248+2X	R-22 TXV
FC4CNB054	424A60+2X	R-22 TXV
FC4CNF060	324A4860+2X	R-22 TXV
FC4CNB070	424A60+2X	R-22 TXV

OEM Model #	Sustainable Model #	Specified Metering
FC4DNF018	318S2430+2X	R-22 TXV
FC4DNF024	324S3036+2X	R-22 TXV
FC4DNF030	324S3036+2X	R-22 TXV
FC4DN(B,F)036	328S3642+2X3	R-22 TXV
FC4DN(B,F)042	318A4248+2X	R-22 TXV
FC4DN(B,F)048	324A4860+2X	R-22 TXV
FC4DN(B,F)060	424A60+2X	R-22 TXV

OEM Model #	Sustainable Model #	Specified Metering
FE4ANF002	314A2430+4X	R-410A TXV
FE4AN(B,F)003	328S3642+4X	R-410A TXV
FE5ANB004	424A60+4X3	R-410A TXV
FE4AN(B,F)005	324A4860+4X	R-410A TXV
FE4ANB006	424A60+4X	R-410A TXV

OEM Model #	Sustainable Model #	Specified Metering
FK4CNF001	324S3036+2X	R-22 TXV
FK4CNF002	314A2430+2X	R-22 TXV
FK4CNF003	328S3642+2X	R-22 TXV
FK4CNF005	324A4860+2X	R-22 TXV
FK4CNB006	424A60+2X	R-22 TXV

OEM Model #	Sustainable Model #	Specified Metering
FK4DNF001	324S2430+2X	R-22 TXV
FK4DNF002	314A2430+2X	R-22 TXV
FK4DN(B,F)003	328S3642+2X	R-22 TXV
FK4DN(B,F)005	324A4860+2X	R-22 TXV
FK4DNB006	424A60+2X	R-22 TXV

OEM Model #	Sustainable Model #	Specified Metering
FV4ANF002	314A2430+4X	R-410A TXV
FV4ANF003	328S3642+4X3	R-410A TXV
FV4ANF005	324A4860+4X	R-410A TXV
FV4ANB006	424A60+4X	R-410A TXV

OEM Model #	Sustainable Model #	Specified Metering
FV4BNF002	314A2430+4X	R-410A TXV
FV4BNF003	328S3642+4X3	R-410A TXV
FV4BNF005	324A4860+4X	R-410A TXV
FV4BNB006	424A60+4X	R-410A TXV



**Carrier, Bryant, Payne F-Series Air Handler cross reference:**

10/09/2023

Page 4

OEM Model #	Sustainable Model #	Specified Metering
FV4CNF002	314A2430+4X	R-410A TXV
FV4CN(B,F)003	328S3642+4X3	R-410A TXV
FV4CN(B,F)005	324A4860+4X	R-410A TXV
FV4CNB006	424A60+4X	R-410A TXV

OEM Model #	Sustainable Model #	Specified Metering
FX4ANF030	324S3036+4X	R-410A TXV
FX4ANF036	328S3642+4X3	R-410A TXV
FX4ANF042	318A4248+4X	R-410A TXV
FX4ANF048	324A4860+4X	R-410A TXV
FX4ANF060	424A60+4X	R-410A TXV

OEM Model #	Sustainable Model #	Specified Metering
FX4BNF018	318S2430+4X	R-410A TXV
FX4BNF030	324S3036+4X	R-410A TXV
FX4BNF036	328S3642+4X3	R-410A TXV
FX4BNF042	318A4248+4X	R-410A TXV
FX4BNF048	324A4860+4X	R-410A TXV
FX4BNF060	424A60+4X	R-410A TXV

OEM Model #	Sustainable Model #	Specified Metering
FX4CNF018	318S2430+4X	R-410A TXV
FX4CNF024	324S3036+4X	R-410A TXV
FX4CNF030	324S3036+4X	R-410A TXV
FX4CN(B,F)036	328S3642+4X3	R-410A TXV
FX4CN(B,F)042	318A4248+4X	R-410A TXV
FX4CN(B,F)048	324A4860+4X	R-410A TXV
FX4CN(B,F)060	424A60+4X	R-410A TXV

OEM Model #	Sustainable Model #	Specified Metering
FX4DNF019	324S3036+4X	R-410A TXV
FX4DNF025	324S3036+4X	R-410A TXV
FX4DN(B,F)031	328S3642+4X3	R-410A TXV
FX4DN(B,F)037	318A4248+4X3	R-410A TXV
FX4DN(B,F)043	318A4248+4X	R-410A TXV
FX4DN(B,F)049	324A4860W+4X	R-410A TXV
FX4DN(B,F)061	424A60+4X	R-410A TXV

OEM Model #	Sustainable Model #	Specified Metering
FY4ANF018	318S2430+4X	R-410A TXV
FY4ANF024	324S3036+4X	R-410A TXV
FY4ANF030	324S3036+4X	R-410A TXV
FY4ANF036	328S3642+4X3	R-410A TXV
FY4ANF042	318A4248+4X	R-410A TXV
FY4ANF048	324A4860+4X	R-410A TXV
FY4AN(B,F)060	424A60+4X	R-410A TXV

**Carrier, Bryant, Payne F-Series Air Handler cross reference:**

10/09/2023

Page 5

OEM Model #	Sustainable Model #	Specified Metering
PF1MNA018	318S2430	Piston
PF1MNA024	318S2430	Piston
PF1MNA030	324S3036	Piston
PF1MNA036	324S3036	Piston
PF1MNA042	328S3642	Piston
PF1MNA048	318A4248	Piston
PF1MNA060	324A4860	Piston
PF1MNA070	424A60	Piston
PF1MNA071	424A60+2X	R-22 TXV

OEM Model #	Sustainable Model #	Specified Metering
PF1MNB018	318S2430	Piston
PF1MNB024	318S2430	Piston
PF1MNB030	324S3036	Piston
PF1MNB036	324S3036	Piston
PF1MNB042	328S3642	Piston
PF1MNB048	318A4248	Piston
PF1MNB060	324A4860	Piston
PF1MNB070	424A60	Piston
PF1MNB071	424A60+2X	R-22 TXV

OEM Model #	Sustainable Model #	Specified Metering
PF1MNC018	318S2430+2X	R-22 TXV
PF1MNC024	324S3036+2X	R-22 TXV
PF1MNC030	324S3036+2X	R-22 TXV
PF1MNC036	328S3642+2X3	R-22 TXV
PF1MNC037	328S3642+2X3	R-22 TXV
PF1MNC042	318A4248+2X	R-22 TXV
PF1MNC043	318A4248+2X	R-22 TXV
PF1MNC048	324A4860+2X	R-22 TXV
PF1MNC049	324A4860+2X	R-22 TXV
PF1MNC060	424A60+2X	R-22 TXV
PF1MNC061	424A60+2X	R-22 TXV

OEM Model #	Sustainable Model #	Specified Metering
PF4MNA018	318S2430+4X	R-410A TXV
PF4MNA019	318S2430+4X	R-410A TXV
PF4MNA024	324S3036+4X	R-410A TXV
PF4MNA025	324S3036+4X	R-410A TXV
PF4MNA030	324S3036+4X	R-410A TXV
PF4MNA031	324S3036+4X	R-410A TXV
PF4MNA036	328S3642+4X3	R-410A TXV
PF4MNA037	328S3642+4X3	R-410A TXV
PF4MNA042	318A4248+4X	R-410A TXV
PF4MNA043	318A4248+4X	R-410A TXV
PF4MNA048	324A4860+4X	R-410A TXV
PF4MNA049	324A4860+4X	R-410A TXV
PF4MNA060	424A60+4X	R-410A TXV
PF4MNA061	424A60+4X	R-410A TXV

**Carrier, Bryant, Payne F-Series Air Handler cross reference:**

10/09/2023

Page 6

OEM Model #	Sustainable Model #	Specified Metering
PF4MNB019	324S3036+4X	R-410A TXV
PF4MNB025	324S3036+4X	R-410A TXV
PF4MNB031	328S3642+4X3	R-410A TXV
PF4MNB037	318A4248+4X3	R-410A TXV
PF4MNB043	318A4248+4X4	R-410A TXV
PF4MNB049	324A4860+4X5	R-410A TXV
PF4MNB061	424A60+4X5	R-410A TXV

3/8 O.D., CU-122 60 helical copper tube, .016 back wall

2,500 PSI burst pressure minimum

Aluminum end plates for rust reduction

Piston models metered for R-22 applications, R-410A pistons available upon request

Expansion valve kits with chatleff fittings available upon request

Factory installed expansion valves available upon request

Suction and liquid lines positioned to access panel locations

Pre-swaged suction and liquid lines, shipped with dry nitrogen holding charge

A-coils utilize a G-90 paint grip metal coated drain pan with coil brackets

A-coil drains positioned to match access panel

314A2430, 318A4248 and 324A4860 top baffle sized to accept horizontal top seal from old coil.

424A60+TXV top baffle will not accept the horizontal top seal

Proper internal refrigerant volumes maintained for heat pump compatibility

Coils carry a Five year replacement warranty from date of installation

Proudly manufactured and assembled in Lindale, Texas

# Sustainable Coils LLC

## Replacement Coil Solutions!

### ICP F-SERIES CROSS REFERENCE UTILIZATION CHART

**INTERNATIONAL COMFORT PRODUCTS F-Series Air Handler models: EBP, EBV, EBX, EBXX, FEM2X, FEM4P, FEM4X, FSM2X, FSM4P, FSM4X, FSU2X, FSU4P, FSU4X, FVM2X, FVM4X, FXM4X and WAHL.**

10/09/2023

“S” in the model number designates slope coil, “A” designates A-coil. If your air handler model is not shown, please consult your Wholesale Distributor or contact the factory for the correct coil model number.

Please note: Due to the multiple use of the coil model numbers in various tonnages and air handlers, it may be necessary to change out the piston or field install a Sustainable Coils TXV kit for a proper match to the outdoor unit. Replacement coils may be ordered with the correct piston or TXV factory installed with a minimal up-charge to fit the desired application. Please consult your Wholesale Distributor or the factory to verify the correct metering device needed for your refrigerant application.

The 424A60+TXV is a drop in replacement that **does not** replicate the original coil. The 424A60+TXV is a 4 row coil with a factory installed TXV that is 24 1/2” tall. It is manufactured to fit into the 26 11/16” wide air handlers. The original coil that it replaces is a 3 row 30” tall coil with a 7.42 sq. ft. face area. The internal refrigerant volumes of both coils match for heat pump application compatibility, plus the drains and line set connections match the access panel. Due to the 4 row configuration, the horizontal top seal from the original coil will not fit the top baffle. Since the coil is 6” shorter than the original coil, it may be used in a horizontal application without the top seal.

OEM Model #	Sustainable Model #	Specified Metering
EBP1800	318S2430	Piston
EBP2400	318S2430	Piston
EBP3000	324S3036	Piston
EBP3600	324S3036	Piston
EBP4200	328S3642	Piston
EBP4800	318A4248	Piston
EBP6000	324A4860	Piston

OEM Model #	Sustainable Model #	Specified Metering
EBV2400B	314A2430+2X	R-22 TXV
EBV3600B	328S3642+2X3	R-22 TXV
EBV4800B	324A4860+2X	R-22 TXV
EBV6000B	424A60+2X	R-22 TXV

**International Comfort Products F-Series Air Handler cross reference:**

10/09/2023

Page 2

OEM Model #	Sustainable Model #	Specified Metering
EBX1800	318S2430+2X	R-22 TXV
EBX2400	324S3036+2X	R-22 TXV
EBX3600	328S3642+2X3	R-22 TXV
EBX4800	324A4860+2X	R-22 TXV
EBX6000	424A60+2X	R-22 TXV

OEM Model #	Sustainable Model #	Specified Metering
EBXX1800	318S2430+4X	R-410A TXV
EBXX2400	324S3036+4X	R-410A TXV
EBXX3600	328S3642+4X3	R-410A TXV
EBXX4800	324A4860+4X	R-410A TXV
EBXX6000	424A60+4X	R-410A TXV

OEM Model #	Sustainable Model #	Specified Metering
FEM2X1800A	318S2430+2X	R-22 TXV
FEM2X2400A	324S3036+2X	R-22 TXV
FEM2X3000A	324S3036+2X	R-22 TXV
FEM2X3500A	328S3642+2X3	R-22 TXV
FEM2X3600A	318A4248+2X3	R-22 TXV
FEM2X4200A	318A4248+2X	R-22 TXV
FEM2X4800A	324A4860+2X	R-22 TXV
FEM2X6000A	424A60+2X	R-22 TXV

OEM Model #	Sustainable Model #	Specified Metering
FEM4P1800	318S2430	Piston
FEM4P2400	318S2430	Piston
FEM4P3000	324S3036	Piston
FEM4P3600	324S3036	Piston
FEM4P4200	318A4248	Piston
FEM4P4800	318A4248	Piston

OEM Model #	Sustainable Model #	Specified Metering
FEM4X1800A	318S2430+4X	R-410A TXV
FEM4X2400A	324S3036+4X	R-410A TXV
FEM4X3000A	324S3036+4X	R-410A TXV
FEM4X3600A	318A4248+4X3	R-410A TXV
FEM4X4200A	318A4248+4X	R-410A TXV
FEM4X4800A	324A4860+4X	R-410A TXV
FEM4X6000A	424A60+4X	R-410A TXV

OEM Model #	Sustainable Model #	Specified Metering
FEM4X1800B	318S2430+4X	R-410A TXV
FEM4X2400B	324S3036+4X	R-410A TXV
FEM4X3000B	324S3036+4X	R-410A TXV
FEM4X3600B	318A4248+4X3	R-410A TXV
FEM4X4200B	318A4248+4X	R-410A TXV
FEM4X4800B	324A4860+4X	R-410A TXV
FEM4X6000B	324A4860+4X	R-410A TXV

**International Comfort Products F-Series Air Handler cross reference:**

10/09/2023

Page 3

OEM Model #	Sustainable Model #	Specified Metering
FSM2X1800A	318S2430+2X	R-22 TXV
FSM2X2400A	324S3036+2X	R-22 TXV
FSM2X3000A	324S3036+2X	R-22 TXV
FSM2X3600A	318A4248+2X3	R-22 TXV
FSM2X4200A	318A4248+2X	R-22 TXV
FSM2X4800A	324A4860+2X	R-22 TXV
FSM2X6000A	424A60+2X	R-22 TXV

OEM Model #	Sustainable Model #	Specified Metering
FSM4P1800	324S3036	Piston
FSM4P2400	324S3036	Piston
FSM4P3000	328S3642	Piston
FSM4P3600	328S3642	Piston
FSM4P4200	318A4248	Piston
FSM4P4800	324A4860W	Piston

OEM Model #	Sustainable Model #	Specified Metering
FSM4X1800A	318S2430+4X	R-410A TXV
FSM4X2400A	324S3036+4X	R-410A TXV
FSM4X3000A	324S3036+4X	R-410A TXV
FSM4X3600A	318A4248+4X3	R-410A TXV
FSM4X4200A	318A4248+4X	R-410A TXV
FSM4X4800A	324A4860+4X	R-410A TXV
FSM4X6000A	424A60+4X	R-410A TXV

OEM Model #	Sustainable Model #	Specified Metering
FSU2X1800A	318S2430+2X	R-22 TXV
FSU2X2400A	324S3036+2X	R-22 TXV
FSU2X3000A	324S3036+2X	R-22 TXV
FSU2X3600A	328S3642+2X3	R-22 TXV
FSU2X4200A	318A4248+2X	R-22 TXV
FSU2X4800A	324A4860+2X	R-22 TXV
FSU2X6000A	424A60+2X	R-22 TXV

OEM Model #	Sustainable Model #	Specified Metering
FSU4P1800	324S3036	Piston
FSU4P2400	324S3036	Piston
FSU4P3000	328S3642	Piston
FSU4P3600	328S3642	Piston
FSU4P4200	318A4248	Piston
FSU4P4800	324A4860W	Piston

OEM Model #	Sustainable Model #	Specified Metering
FSU4X1800A	318S2430+4X	R-410A TXV
FSU4X2400A	324S3036+4X	R-410A TXV
FSU4X3000A	324S3036+4X	R-410A TXV
FSU4X3600A	328S3642+4X3	R-410A TXV
FSU4X4200A	318A4248+4X	R-410A TXV
FSU4X4800A	324A4860+4X	R-410A TXV
FSU4X6000A	424A60+4X	R-410A TXV

**International Comfort Products F-Series Air Handler cross reference:**

10/09/2023

Page 4

OEM Model #	Sustainable Model #	Specified Metering
FVM2X2400A	314A2430+2X	R-22 TXV
FVM2X3600A	328S3642+2X3	R-22 TXV
FVM2X4800A	324A4860+2X	R-22 TXV
FVM2X6000A	424A60+2X	R-22 TXV

OEM Model #	Sustainable Model #	Specified Metering
FVM4X2400A	314A2430+4X	R-410A TXV
FVM4X3600A	328S3642+4X3	R-410A TXV
FVM4X4800A	324A4860+4X	R-410A TXV
FVM4X6000A	424A60+4X	R-410A TXV

OEM Model #	Sustainable Model #	Specified Metering
FXM4X1800A	324S3036+4X	R-410A TXV
FXM4X2400A	324S3036+4X	R-410A TXV
FXM4X3000A	328S3642+4X3	R-410A TXV
FXM4X3600A	318A4248+4X3	R-410A TXV
FXM4X4200A	318A4248+4X	R-410A TXV
FXM4X4800A	324A4860W+4X	R-410A TXV
FXM4X6000A	424A60+4X	R-410A TXV

OEM Model #	Sustainable Model #	Specified Metering
WAHL184B	318S2430+4X	R-410A TXV
WAHL244C	324S3036+4X	R-410A TXV
WAHL304B	324S3036+4X	R-410A TXV
WAHL364B	324S3036+4X	R-410A TXV
WAHL424B	318A4248+4X	R-410A TXV
WAHL484B	318A4248+4X	R-410A TXV
WAHL604B	324A4860+4X	R-410A TXV

3/8 O.D., CU-122 60 helical copper tube, .016 back wall

2,500 PSI burst pressure minimum

Aluminum end plates for rust reduction

Piston models metered for R-22 applications, R-410A pistons available upon request

Expansion valve kits with chatleff fittings available upon request

Factory installed expansion valves available upon request

Suction and liquid lines positioned to access panel locations

Pre-swaged suction and liquid lines, shipped with dry nitrogen holding charge

A-coils utilize a G-90 paint grip metal coated drain pan with coil brackets

A-coil drains positioned to match access panel

314A2430, 318A4248 and 324A4860 top baffle sized to accept horizontal top seal from old coil.

424A60+TXV top baffle will not accept the horizontal top seal

Proper internal refrigerant volumes maintained for heat pump compatibility

Coils carry a Five year replacement warranty from date of installation

Proudly manufactured and assembled in Lindale, Texas

# *Sustainable Coils LLC*

## *Replacement Coil Solutions!*

### **EPA - EXA REPLACEMENT COILS**

#### **For Arcoaire, Comfortmaker, Heil, Tempstar & ICP Brands**

1. In order to complement our manufacturing process and eliminate costly setups, certain models have been redesigned from 2 row coils to 3 rows, and 3 row coils to 4 rows. We have maintained the proper internal refrigerant volumes for each model to insure compatibility for heat pump applications. The new designs will be shorter, but all other dimensions are maintained for ease of installation. Redesigned models are noted with an asterisk in front of the model number.
2. The line set connections for our EPA-EXA replacement coils are properly positioned to match published specifications. The drain pan is properly sized for each application and the drain connections are positioned to fit the access panel.
3. All EPA-EXA replacement coils utilize 3/8" O.D., CU-122 60 helical copper tube, .016 back wall. Our tubing has a backwall thickness of .016, giving our coils a 2,500 PSI burst pressure minimum which far exceeds industry standards.
4. Our EPA-EXA coils can also be used in certain ICP air handlers such as the (N)FCP and (N)FCX models. Please refer to our EPA-EXA cross reference for model numbers.
5. Our EPA-EXA replacement coils carry a Five year replacement warranty.
6. **Please be aware that the original EPA30 and EPA36 coils were 2 row coils with limited internal refrigerant volumes. We no longer manufacture these EPA coils with the limited 2 row refrigerant volume. We offer a 3 row, piston metered version that will have the same dimensions. If the outdoor unit has been replaced due to a past failure, we strongly suggest utilizing our EXA versions for outdoor unit compatibility.**

Uncased A-Coil	Same coil used in				
	Cased Coil	Multipurpose Cased Coil	Fan Coil		Electric Furnace
EPA	EPD	EPM	FCP		EF
EXA	EXD	EXM	FCX	FCV	EF

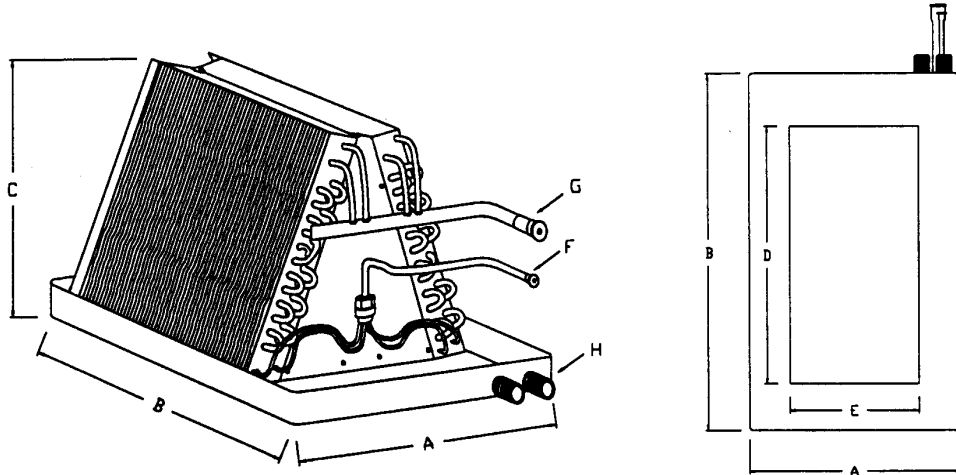


# Sustainable Coils LLC

## Replacement Coil Solutions!

### EPA-EXA REPLACEMENT A-COILS

Revision date: 10/09/2023



COIL MODEL	COIL WEIGHT	ROWS	A	B	C	D	E	F	G	H
**RC-EPA24B15	26	3	14 3/4	19 3/4	10 1/2	15 3/4	7 1/2	3/8	3/4	3/4
RC-EXA24B15	34	3	14 3/4	19 3/4	14 1/2	15 3/4	7 1/2	3/8	3/4	3/4
**RC-EPA36B15	41	3	14 3/4	19 3/4	18 1/2	15 3/4	7 1/2	3/8	3/4	3/4
**RC-EPA36F19	42	3	18 1/8	19 3/4	18 1/2	15 3/4	10 3/4	3/8	3/4	3/4
RC-EXA36B15	41	3	14 3/4	19 3/4	18 1/2	15 3/4	7 1/2	3/8	3/4	3/4
RC-EXA36F19	42	3	18 1/8	19 3/4	18 1/2	15 3/4	10 3/4	3/8	3/4	3/4
RC-EPA42F19	42	3	18 1/8	19 3/4	18 1/2	15 3/4	10 3/4	3/8	7/8	3/4
RC-EPA48F19	46	3	18 1/8	19 3/4	20 1/2	15 3/4	10 3/4	3/8	7/8	3/4
RC-EPA48J22	49	3	21 7/8	19 3/4	22 1/2	15 3/4	14 1/2	3/8	7/8	3/4
**(*)RC-EPA60J22	56	4	21 7/8	19 3/4	20 1/2	15 3/4	12 3/4	3/8	7/8	3/4

Suction line 1 5/8" ←, 10 5/8" ↑. Liquid line 1 5/8" ←, 9 3/8" ↑.  
 Primary drain 2 1/2" ← to center, secondary drain 1 5/8" ← to center.

3/8" O.D., CU-122 60 helical copper tube, .016 back wall.

2,500 PSI burst pressure minimum

Aluminum end plates to protect against rust corrosion

22 ga. G-90 paint grip metal drain pan, coated with a rust inhibitor and painted black

RC-EPA piston metered for R-22 application, RC-EXA equipped with R-22 heat pump TXV

Pre-swaged refrigerant connections, shipped with dry nitrogen holding charge

Five year replacement warranty

(\*) Denotes overweight/oversize coil that must be shipped on a skid to a commercial location.

\*\* Denotes physical dimension modification from original 2 row coils to 3 row coils, or 3 row coils to 4 row coils.

Telephone: (903) 881-6006

Fax: (903) 881-6008

email: [sales@SustainableCoils.com](mailto:sales@SustainableCoils.com)

# Sustainable Coils LLC

## Replacement Coil Solutions!

### EPA - EXA Replacement Coils Cross Reference 10/09/2023

#### CROSS REFERENCE UTILIZATION CHART

OEM Model #	Sustainable Model #	Specified Metering
EPA24B15	**RC-EPA24B15	R-22 PISTON
EPA36B15	**RC-EPA36B15	R-22 PISTON
EPA36F19	**RC-EPA36F19	R-22 PISTON
EPA42F19	RC-EPA42F19	R-22 PISTON
EPA48F19	RC-EPA48F19	R-22 PISTON
EPA48J22	RC-EPA48J22	R-22 PISTON
EPA60J22	**RC-EPA60J22	R-22 PISTON
EPA60N26	Out of production	R-22 PISTON

OEM Model #	Sustainable Model #	Specified Metering
EXA24B15	RC-EXA24B15	R-22 HP-TXV
EXA36B15	RC-EXA36B15	R-22 HP-TXV
EXA36F19	RC-EXA36F19	R-22 HP-TXV
EXA48J22	RC-EXA48J22	R-22 HP-TXV
EXA60N26	Out of production	R-22 HP-TXV

OEM Model #	Sustainable Model #	Specified Metering
(N)FCP2400C/D	**RC-EPA24B15	R-22 PISTON
(N)FCP3000C/D	**RC-EPA36B15	R-22 PISTON
(N)FCP3600C/D	**RC-EPA36F19	R-22 PISTON
(N)FCP4200C/D	**RC-EPA42F19	R-22 PISTON
(N)FCP4800C/D	RC-EPA48J22	R-22 PISTON
(N)FCP6000C/D	No Replacement Option	R-22 PISTON

OEM Model #	Sustainable Model #	Specified Metering
(N)FCX2400C	RC-EXA24B15	R-22 HP-TXV
(N)FCX3600C	RC-EXA36F19	R-22 HP-TXV
(N)FCX4800C	No Replacement Option	R-22 HP-TXV
(N)FCX6000C	No Replacement Option	R-22 HP-TXV

3/8" O.D., CU-122 60 helical copper tube, .016 back wall.

2,500 PSI burst pressure minimum

Aluminum end plates for rust reduction.

EPA coils are piston metered for R-22 applications, additional 410A pistons available.

EXA coils have R-22 expansion valves factory installed, 410A valves available upon request.

Drains, suction and liquid lines are positioned to original OEM specifications.

Pre-swaged suction and liquid lines, shipped with dry nitrogen holding charge.

Coils utilize a coated G-90 paint grip metal drain pan.

Coils carry a Five year replacement warranty.

Proudly manufactured and assembled in Lindale, Texas.

\*\*Denotes models that have been modified (2 row to 3 row, 3 row to 4 row) to meet current production models and facilitate shipping.

Telephone: (903) 881-6006

Fax: (903) 881-6008

email: [sales@SustainableCoils.com](mailto:sales@SustainableCoils.com)

# *Sustainable Coils LLC*

*Replacement Coil Solutions!*

## **WALL MOUNT AIR HANDLER REPLACEMENT COILS**

**Revised 10/09/2023**

**Wall mount Fan Coil units are primarily designed for apartment applications as upflow indoor air handlers for split system heat pump and cooling only air conditioners.**

**For units that service both 1.5 and 2 ton applications, additional pistons are included for R-22 and R-410A in both tonnages.**

### **First Company - Wall Mount Air Handler replacement coils:**

OEM Model #	Sustainable Model #	Specified Metering
9-320-284P	RC-320-284P	Piston
9-320-285	RC-320-285	Piston

### **Goodman AWUF - Wall Mount Air Handler replacement coils:**

OEM Model #	Sustainable Model #	Specified Metering
AWUF18XX16A	RC-AWUF1824	Piston
AWUF18XX16B	RC-AWUF1824	Piston
AWUF24XX16A	RC-AWUF1824	Piston
AWUF24XX16B	RC-AWUF1824	Piston

### **ICP FWM - Wall Mount Air Handler replacement coils:**

OEM Model #	Sustainable Model #	Specified Metering
FWM1800A	RC-FF1-1824	Piston
FWM2400A	RC-FF1-1824	Piston
FWM3000A	RC-FF1-030	Piston

Telephone: (903) 881-6006

Fax: (903) 881-6008

email: [sales@SustainableCoils.com](mailto:sales@SustainableCoils.com)

# *Sustainable Coils LLC*

## *Replacement Coil Solutions!*

**Revised 10/09/2023**

**Carrier, Bryant, Payne FF1 -Wall Mount Air Handler replacement coils:**

OEM Model #	Sustainable Model #	Specified Metering
FF1ANA018	RC-FF1-1824	Piston
FF1ANA024	RC-FF1-1824	Piston
FF1ANA030	RC-FF1-030	Piston

OEM Model #	Sustainable Model #	Specified Metering
FF1BNA018	RC-FF1-1824	Piston
FF1BNA024	RC-FF1-1824	Piston
FF1BNA030	RC-FF1-030	Piston

OEM Model #	Sustainable Model #	Specified Metering
FF1CNA018	RC-FF1-1824	Piston
FF1CNA024	RC-FF1-1824	Piston
FF1CNA030	RC-FF1-030	Piston

OEM Model #	Sustainable Model #	Specified Metering
FF1DNA018	RC-FF1-1824	Piston
FF1DNA024	RC-FF1-1824	Piston
FF1DNA030	RC-FF1-030	Piston

FF1DNE018	RC-FF1-1824+2X	R-22 TXV
FF1DNE024	RC-FF1-1824+2X	R-22 TXV
FF1DNE030	RC-FF1-030+2X	R-22 TXV

OEM Model #	Sustainable Model #	Specified Metering
FF1ENE018	RC-FF1-1824+2X	R-22 TXV
FF1ENE024	RC-FF1-030+2X	R-22 TXV
FF1ENE030	RC-FF1-030+2X	R-22 TXV

FF1ENP018	RC-FF1-1824+4X	R-410A TXV
FF1ENP019	RC-FF1-1824+4X	R-410A TXV
FF1ENP024	RC-FF1-030+4X	R-410A TXV
FF1ENP025	RC-FF1-030+4X	R-410A TXV
FF1ENP030	RC-FF1-030+4X	R-410A TXV

Telephone: (903) 881-6006

Fax: (903) 881-6008

email: [sales@SustainableCoils.com](mailto:sales@SustainableCoils.com)

# *Sustainable Coils LLC*

## *Replacement Coil Solutions!*

### Expansion Valves:

We utilize Parker HCAE adjustable charge expansion valves equipped with chatleff fittings. Factory super heat preset 6°- 8°.

All expansion valves are Heat Pump compatible.

TXV PART #	REFRIGERANT	TONNAGE
2XHP-2/3	R-22	1.5 - 3
2XHP-4/5	R-22	3.5 - 5
4XHP-2/4	R-410A	1.5 - 4
4XHP-4/5	R-410A	4 - 5

### Stock coils piston utilization charts:

TONNAGE	REFRIGERANT	PISTON
1.5	R-22	.055
2	R-22	.059
2.5	R-22	.067
3	R-22	.073
3.5	R-22	.080
4	R-22	.084
5	R-22	.093

TONNAGE	REFRIGERANT	PISTON
1.5	R-410A	.051
2	R-410A	.055
2.5	R-410A	.059
3	R-410A	.067
3.5	R-410A	.076
4	R-410A	.080
5	R-410A	.086

Telephone: (903) 881-6006

Fax: (903) 881-6008

email: [sales@SustainableCoils.com](mailto:sales@SustainableCoils.com)

# *Sustainable Coils LLC*

## *Replacement Coil Solutions!*

AHRI formula for calculating the Internal Refrigerant Volume (IRV) of a coil

$$((\text{SlabFinnedLength} * \text{NumberOfTubes} * (((\text{EvapOD} - (2.00 * \text{WallThickness})) / 2.00)^2 * 3.14)) + \text{ChargeCompensator})$$

Determine the IRV of an A-coil that is 3/8" OD rifled copper, 0.012 WT, 3 rows, 24 tubes high and 16" finned length

Step 1: determine the wall thickness and multiply by 2.00  
Example:  $0.012 \times 2 = 0.024$

Step 2: subtract step 1 answer from tubing OD  
Example:  $0.375 - 0.024 = 0.351$

Step 3: divide step 2 answer by 2.00  
Example:  $0.351 / 2 = 0.1755$

Step 4: square the step 3 answer  
Example:  $0.1755 \times 0.1755 = 0.0308$

Step 5: multiply step 4 answer by 3.14  
Example:  $0.0308 \times 3.14 = .096761839$

Step 6: multiply the slab finned length times the number of tubes in the coil  
Example: A-coil that is 3 rows, 16" fin length, 24 tubes tall  
 $3 \text{ rows} \times 2 \text{ (2 slabs make up the A-coil)} = 6 \text{ rows} \times 24 \text{ tubes high} = 144 \text{ total tubes}$   
 $144 \text{ total tubes} \times 16" \text{ fin length} = 2,304 \text{ linear inches}$

Step 7: multiply the total linear inches times step 5 answer  
Example:  $2,304 \times .09676 = 222.9393 \text{ Cu. In. of volume}$

Step 8: If your coil has a charge accumulator, add volume to coil volume for total IRV.

To make it easier for you, we have run the calculations for the most popular tube specifications.

3/8" OD copper, .012 back wall thickness	.0967618
3/8" OD aluminum, .029 back wall thickness	.0789239

To determine the IRV in an aluminum N-coil, measure the fin length of each slab. Determine the number of tubes per slab and multiply by 3, or the number of slabs. Multiply the total linear inches of tubing X .0789239 to determine the IRV. Match the IRV from the old aluminum coil to our IRV for the proper heat pump replacement. For best results keep the IRV from 95% to 105% of the system coil to be replaced.