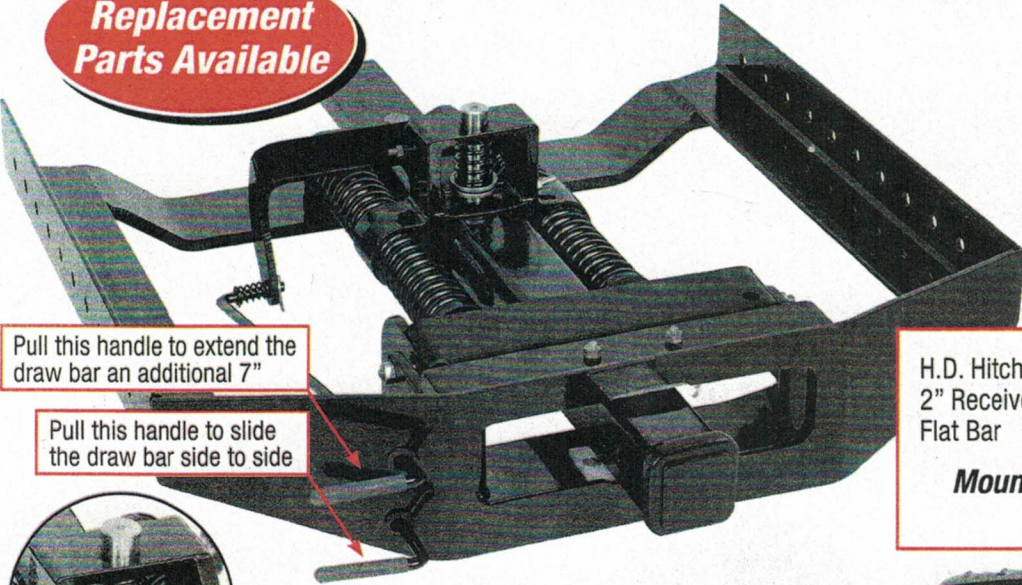


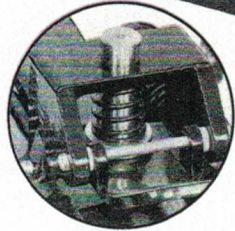
## THE ULTIMATE HEAVY DUTY TOWING SYSTEM

**Replacement  
Parts Available**



Pull this handle to extend the draw bar an additional 7"

Pull this handle to slide the draw bar side to side



**LOCKING PIN**

### EASY ACCESS GREASE FITTINGS

Keeps corrosion to a minimum  
Accessible grease fittings located at the locking pin & rear pivot point



### HEAVY DUTY SPRINGS

Takes the jerk out of towing and reduces the wear & tear on your brakes, transmission & differential

### FITS MOST DOMESTIC TRUCK FRAMES

Fits under factory truck bumper & mounts directly to frame

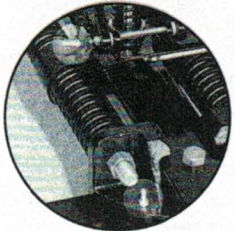
**GLIDE PAD**

### EASY PULL RELEASE HANDLES

Releases lock assemblies for easy adjustments to the receiver hitch

### 2" X 2" RECEIVER HITCH

Extends out to 7" & has a 12" swing right or left for easy one-person hookups  
Also available with a flat bar receiver arm



**GREASE FITTINGS**

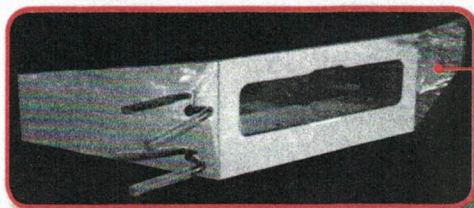
### SELF-LUBRICATING GLIDE PAD

Glide Pads make adjustments simple, especially when compared to metal-on-metal pads others use

### INDUSTRIAL STRENGTH BAKED-ON FINISH



**FLAT TOW BAR OPTION**



**STAINLESS STEEL FACE PLATE  
P/N 5210-304M**



H.D. Hitch Frame **5210-101**  
2" Receiver Bar **5210-102**  
Flat Bar **5210-103**

**Mounting Kits Available**  
See Below



**UP TO 14,000 LBS TOWING CAPACITY**  
**1,200 LBS TONGUE WEIGHT**

## Mounting Kits

### CHEVY/GMC

07-13	1500	5210-130
99-06	1500	5210-105
88-00	1500/2500/3500	5210-104
11-13	2500/3500 HD	5210-113
01-10	2500/3500 HD Short Bed	5210-106
01-10	2500/3500 HD Long Bed	5210-107

### DODGE/RAM

09-12	Ram 1500 Single Exhaust w/o Factory Hitch	5210-116
10-12	Ram 2500/3500 w/ Factory Hitch	5210-115
10-12	Ram 2500/3500 w/o Factory Hitch	5210-125
03-09	Ram w/ Factory Hitch (09 2500 Only)	5210-115
03-09	Ram w/o Factory Hitch (09 2500 Only)	5210-125
99-02	Ram	5210-108

### FORD

09-13	F-150	5210-112
04-05	F-150 w/ Factory Hitch w/o Dampener	5210-114
04-05	F-150 w/o Factory Hitch w/ Dampener	5210-124
97-03	F-150	5210-110
87-96	F-150	5210-109
99-13	F-250/F-350/F-450 Super Duty	5210-111
97-98	F-250 LD	5210-110
87-98	F-250/F-350 Super Duty	5210-109

### TOYOTA

07-13	Tundra w/o Factory Hitch	5210-140
-------	--------------------------	----------

Glide Pad Replacement **5210-150**  
Stainless Steel Face Plate **5210-304M**

*\*No applications available for cab & chassis models.*