

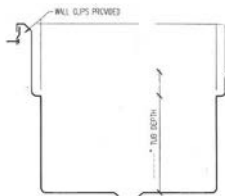
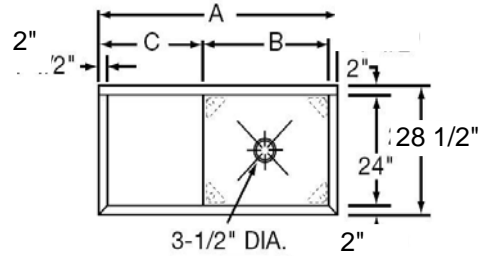
WICKETTS STAINLESS

SPECIFICATION

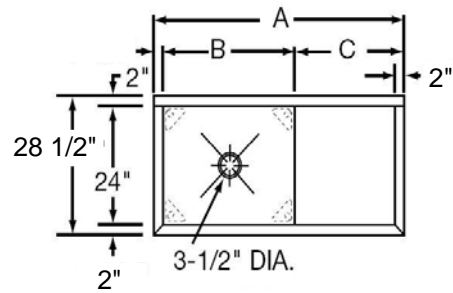
Commercial Sink Heavy Duty
One Compartment
One Drain board



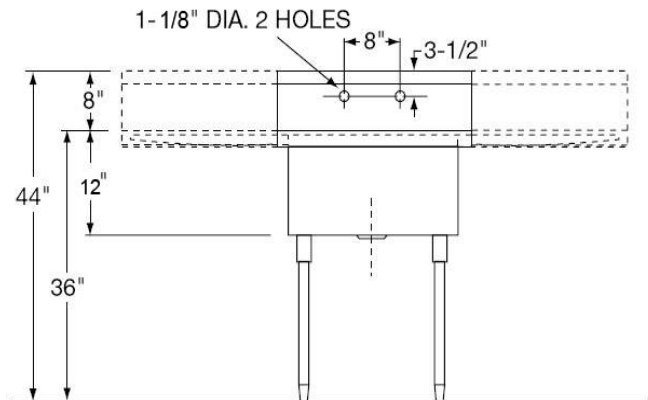
Marine Edge



Rolled Edge



Model Number	A	B	C
WCS 4118-L	39	18	18
WCS 4124-L	51	24	24
WCS 4130-L	57	30	24
WCS 4136-L	63	36	24
WCS 4118-R	39	18	18
WCS 4124-R	51	24	24
WCS 4130-R	57	30	24
WCS 4136-R	63	36	24
WCS Custom			



Engineering Specification: 14 gauge, type 304 stainless steel scullery sink. 12" deep NSF bowels. 8" high backsplash . Rolled or marine edge's. Exposed surfaces polished to a satin finish. Supported on (4) stainless steel, 1-5/8" O.D. tubular legs, Adjustable bullet feet.

Wicketts Stainless, LLC.
2618 San Miguel Dr. Bldg. # 376
Newport Beach, CA 92660
Tel: 951-858-2548
Fax: 951-638-9059
sales@wickettsstainless.com
www.wickettsstainless.com



Approved for Manufacturing
Company: _____
Signature: _____