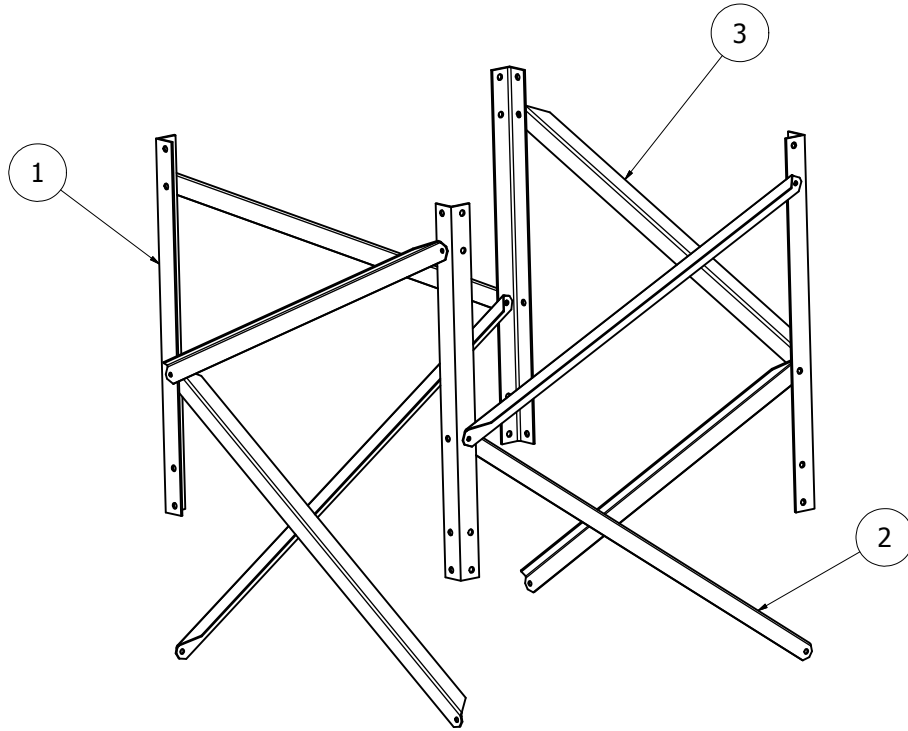


44304 40 in top section



PARTS LIST			
ITEM	QTY	PART NUMBER	STOCK NUMBER
1	4	64-L011 40 3-16 leg	40 x 2.5 x 2.5 x 3/16 L
2	4	64-D007 diaognal	55.5 x 2 x 2 x 8 ga L
3	4	64-D010 top diagonal	50.75 x 2 x 2 x 8ga L

DRAWN Rex A Greene		DATE 2/19/2010		Greene Welding and Hardware Inc.	
				Greene Galvanized Stairs	
				TITLE 217/375/4244	
				www.greenebinstairs.com	
MFG					
APPROVED					
		SIZE C	DWG NO 44304 40" Top		REV
				SHEET OF 1	